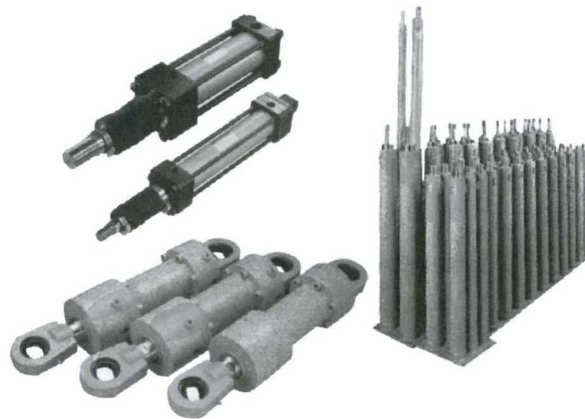


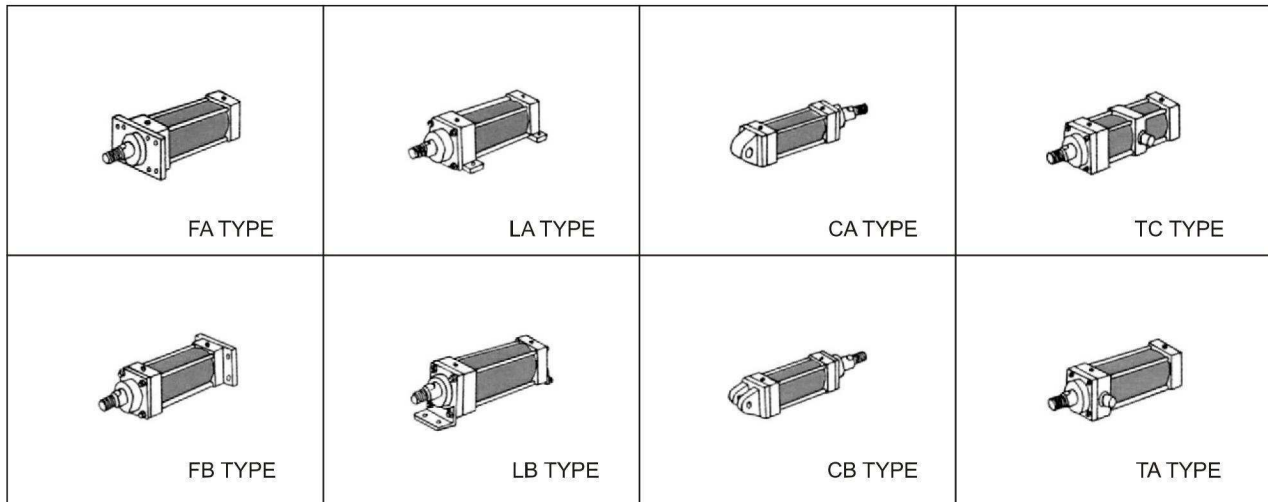
## HYDRAULIC CYLINDERS



### ■ FEATURE:

1. These tubes are made of carbon steel ASTM A-5 13/5 (grade AISI 1026) or DIN 2393 (grade star DOM 520) and honed by precise honing machine: I.D. Surface roughness Ra max. 0.8 micron; I.D. Tolerance ISO H8/H9; straightness 1/1000 min.
2. Rods are made of steel S45C and surface is grind-processed and chrome-plated. Deposit hardness is Hv1000. Very high abrasive and corrosive resistance.
3. Oil seal, wearing and O-ring made from high quality materials, results in wear-proof, leakage-free, accurate and long-life using performances.
4. Specifications are made to international standards. It is easy to replace parts with other brands' products.
5. Wide and completed product ranges: Except standard specifications, custom-made special configurations and specifications for any purposes are available.

## ■ MOUNTING CONFIGURATIONS:

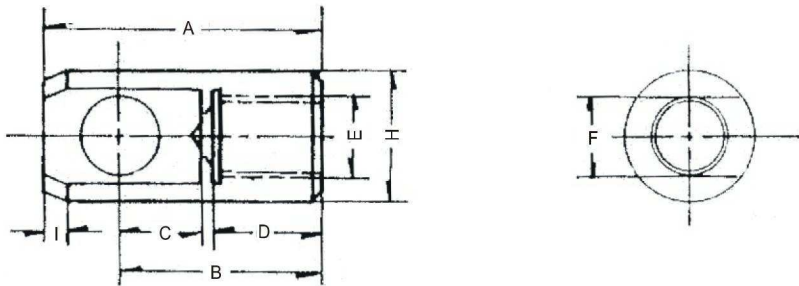


## ■ CYLINDER OUTPUT DATA (kgf/lbf):

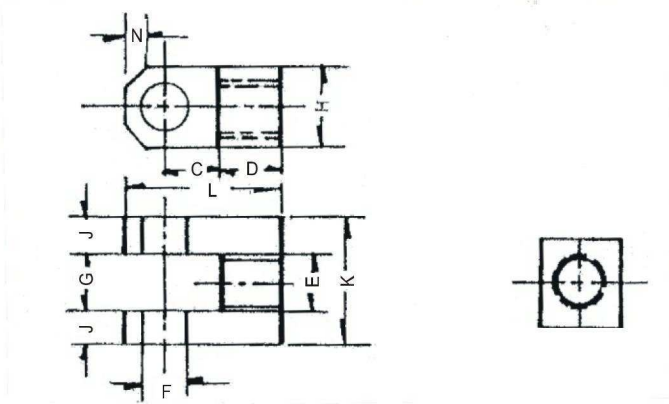
Tube Bore∅ (mm)	Rod Dia.∅ (mm)	Working Pressure (kgf/cm <sup>2</sup> /psi)																	
		20/285		30/430		50/700		70/1000		100/1400		120/1700		140/2000		160/2300		210/3000	
		in	out	in	out	in	out	in	out	in	out	in	out	in	out	in	out	in	out
40	20	188 (414)	252 (555)	282 (621)	378 (833)	470 (1033)	630 (1388)	658 (1449)	882 (1943)	940 (2070)	1260 (2775)	1128 (2485)	1512 (3330)	1316 (2899)	1764 (3885)	1504 (3313)	2016 (4441)	1974 (43480)	2646 (5828)
50	25	294 (648)	392 (863)	441 (971)	558 (1295)	435 (958)	980 (2159)	1029 (2267)	1372 (3022)	1470 (3238)	1960 (4317)	1764 (3885)	2352 (5181)	2058 (4533)	2744 (6044)	2352 (5181)	3136 (6907)	3087 (6800)	4116 (9068)
63	30	482 (1062)	624 (1374)	723 (1593)	936 (2062)	1205 (2654)	1560 (3436)	1687 (3716)	2184 (4811)	2410 (5308)	3120 (6872)	2890 (6366)	3744 (8247)	3374 (7432)	4368 (9621)	3856 (8493)	4992 (10996)	5061 (11148)	6552 (14432)
80	40	754 (1661)	1006 (2216)	1131 (2491)	1509 (3324)	1885 (4152)	2515 (5540)	2633 (5800)	3521 (7756)	3770 (8304)	5030 (11079)	4524 (9965)	636 (1401)	5278 (11626)	7042 (15511)	6032 (13286)	8248 (18167)	7917 (17438)	10563 (23267)
100	50	1178 (2595)	1570 (3458)	1767 (3892)	2356 (5189)	2946 (6489)	3927 (8650)	4124 (9084)	5498 (12110)	5891 (12976)	7854 (17300)	7069 (15570)	9425 (20760)	8247 (18165)	1100 (2423)	9425 (20760)	12566 (27678)	12370 (27247)	16493 (36328)
120	60	1889 (4161)	2454 (5405)	2833 (6240)	3682 (8112)	4722 (10401)	6136 (13515)	6611 (14562)	8590 (18921)	9444 (20802)	12272 (27031)	11333 (24963)	14736 (32458)	13222 (29123)	17180 (37841)	15110 (33282)	19635 (43249)	19830 (43678)	25770 (56762)
150	70	2764 (6088)	3534 (7784)	4147 (9134)	5301 (11676)	6911 (15222)	8835 (19460)	9675 (21311)	12369 (27244)	13822 (30445)	17670 (38921)	16586 (36533)	21204 (46705)	19351 (42623)	24738 (54489)	22115 (48711)	28272 (62273)	29026 (63934)	37107 (81872)
180	80	4084 (8996)	5089 (11209)	6126 (13493)	7634 (16815)	10210 (22489)	12724 (28026)	14295 (31487)	17813 (39236)	20421 (44980)	25447 (56051)	24505 (53976)	30536 (67260)	28589 (62971)	35626 (78471)	32674 (71969)	40715 (89681)	42884 (94558)	53439 (117707)
200	100	4712 (10379)	6283 (13839)	7067 (15566)	9425 (20760)	11781 (25949)	15708 (34599)	16493 (36328)	21991 (48438)	23562 (51899)	31416 (69198)	28274 (62278)	37699 (83037)	32987 (72659)	43982 (96877)	37699 (83037)	50266 (110718)	49480 (108987)	65974 (145317)
250	140	6739 (14844)	9018 (19863)	10108 (22264)	14726 (32436)	16847 (37108)	22544 (49656)	23586 (51952)	31562 (69520)	33694 (74216)	49088 (108123)	40433 (89059)	58906 (129749)	47172 (103903)	68723 (151372)	53910 (118744)	72141 (158901)	70757 (155852)	94685 (208557)
300	180	9048 (19930)	14137 (31139)	13572 (29894)	21206 (46709)	22620 (49824)	35343 (77848)	31667 (69751)	49480 (108987)	45239 (99645)	70686 (155696)	54187 (119355)	84823 (186835)	63335 (139504)	98960 (217974)	72382 (159432)	113097 (249112)	95002 (209256)	118440 (260881)

ACCESSORIES:

I Type Adapter



Y Type Adapter



Unit:mm/(in)

Tube Bore Ø(mm)	A	B	C	D	E (mm)	ØF	G	H	I	J	K	L	N
40	66 (2.598)	50 (1.969)	20 (0.787)	25 (0.984)	M18XP1.5	16	16	30	5	7	30	66	8
					M22XP1.5	(0.630)	(0.630)	(1.181)	(1.197)	(0.276)	(1.181)	(2.598)	(0.315)
50	75 (2.953)	55 (2.165)	25 (0.984)	30 (1.181)	M22XP1.5	20	20	40	7	10	40	75	10
					M26XP1.5	(0.787)	(0.787)	(1.575)	(0.276)	(0.394)	(1.575)	(2.953)	(0.394)
63	80 (3.152)	60 (2.362)	25 (0.984)	30 (1.181)	M26XP1.5	20	20	40	9	10	40	80	15
					M30XP1.5	(0.787)	(0.787)	(1.575)	(0.354)	(0.394)	(1.575)	(3.150)	(0.591)
80	105 (4.134)	75 (2.953)	35 (1.378)	40 (1.575)	M30XP1.5	30	30	60	9	15	60	105	15
					M35XP1.5	(1.181)	(1.181)	(2.362)	(0.354)	(0.591)	(2.362)	(4.134)	(0.591)
100	130 (5.118)	90 (3.543)	40 (1.575)	50 (1.969)	M40XP1.5	40	40	80	12	20	80	130	15
					M45XP1.5	(1.575)	(1.575)	(3.150)	(0.472)	(0.787)	(3.150)	(5.118)	(0.591)
125	155 (6.102)	105 (4.134)	50 (1.969)	55 (2.165)	M45XP1.5	50	50	100	15	25	100	155	20
					M50XP2	(1.969)	(1.969)	(3.937)	(0.591)	(0.984)	(3.937)	(6.102)	(0.787)
150	170 (6.693)	120 (4.724)	55 (2.165)	65 (2.598)	M50XP2	50	50	100	20	25	100	170	20
					M60XP2	(1.969)	(1.969)	(3.937)	(0.787)	(0.984)	(3.937)	(6.693)	(0.787)
180	195 (7.677)	135 (5.315)	65 (2.598)	70 (2.756)	M60XP2	60	60	120	25	30	120	195	25
					M70XP2	(2.362)	(2.362)	(4.724)	(0.984)	(1.181)	(4.724)	(7.677)	(0.984)
200	280 (11.024)	200 (7.874)	90 (3.543)	80 (3.150)	M70XP2	80	80	150	30	35	150	280	30
					M90XP2	(3.150)	(3.150)	(5.906)	(1.181)	(1.378)	(5.906)	(11.024)	(1.181)
224	330 (12.992)	230 (9.055)	105 (4.134)	90 (3.543)	M90XP2	100	100	200	30	50	200	330	30
					M100XP2	(3.937)	(3.937)	(7.874)	(1.181)	(1.969)	(7.874)	(12.992)	(1.181)
250	330 (12.992)	230 (9.055)	105 (4.134)	90 (3.543)	M100XP2	100	100	200	30	50	200	330	30
					M110XP2	(3.937)	(3.937)	(7.874)	(1.181)	(1.969)	(7.874)	(12.992)	(1.181)

## Floating Connectors:

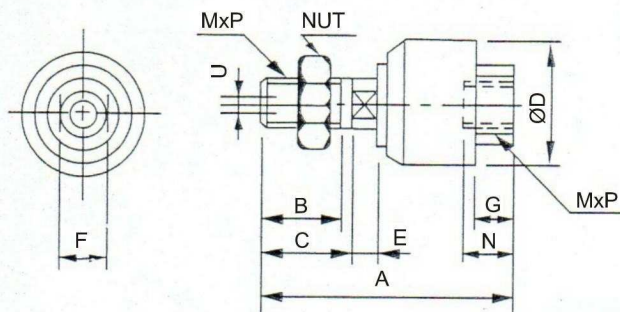
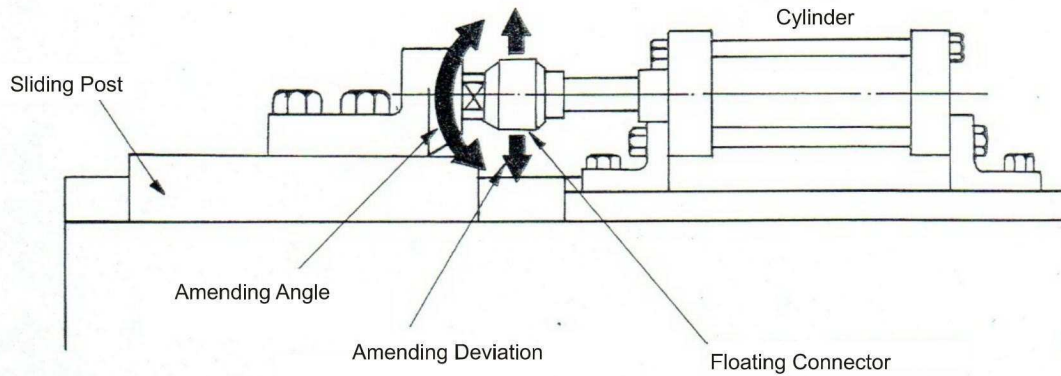


Fig 1

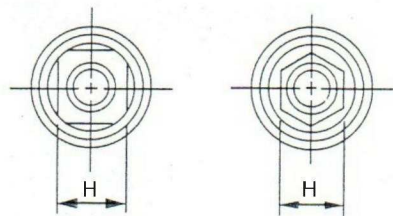
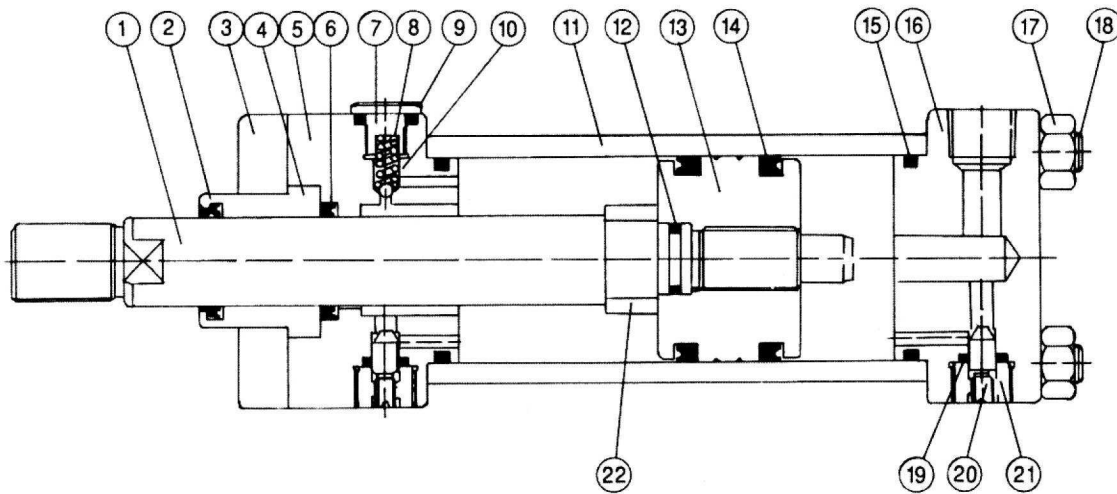


Fig 2

Unit:mm/(in)

Model	Tube BoreØ(mm)	MXP(mm)	A	B	C	D	E	F	G	H	N	Tolerance	Illustration
FC-1008	20	M8X1.25	50	18 (1.969)	20 (0.709)	24 (0.787)	4 (0.945)	8 (0.157)	7 (0.315)	13 (0.276)	8 (0.512)	0.5 (0.315)	Fig.-1 (0.0197)
FC-1010	25.30	M10X 1.25	58	20 (2.283)	22 (0.787)	26 (0.866)	5 (1.024)	10 (0.197)	8 (0.394)	17 (0.315)	9 (0.669)	0.75 (0.354)	Fig.-1 (0.0295)
FC-1012	40	M12X 1.25	58	21.5 (2.283)	22 (0.846)	28 (1.102)	5 (1.02)	12 (0.197)	8 (0.472)	17 (0.315)	9 (0.669)	0.75 (0.354)	Fig.-1 (0.0295)
FC-1014	40	M14X1.5	70	22.5 (2.756)	23 (0.886)	35 (0.906)	7 (1.378)	14 (0.276)	11 (0.551)	22 (0.433)	13 (0.866)	1 (0.512)	Fig.-1 (0.0394)
FC-1016	50.63	M16X1.5	90	27 (3.543)	28 (1.063)	45 (1.102)	9 (1.772)	17 (0.354)	12 (0.669)	27 (0.472)	14 (1.063)	1.25 (0.551)	Fig.-1 (0.0492)
FC-1018	50.63	M18X1.5	90	27 (3.543)	28 (1.063)	45 (1.102)	9 (1.772)	17 (0.354)	12 (0.669)	27 (0.472)	15 (0.541)	1.25 (0.551)	Fig.-1 (0.0492)
FC-1020	80	M20X1.5	102	29 (4.016)	32 (1.142)	53 (2.087)	10 (3.087)	22 (0.394)	14 (0.866)	33 (0.551)	18 (1.299)	2 (0.709)	Fig.-2 (0.0787)
FC-1022	80	M22X1.5	102	29 (4.016)	32 (1.142)	53 (2.087)	10 (3.087)	22 (0.394)	14 (0.866)	33 (0.551)	18 (1.299)	2 (0.709)	Fig.-2 (0.0787)
FC-1024	100	M24X1.5	124	35 (4.882)	38 (1.378)	61 (1.496)	12 (2.402)	26 (0.472)	22 (1.024)	41 (0.866)	24 (1.614)	2.5 (0.945)	Fig.-2 (0.0984)
FC-1026	100	M26X1.5	124	35 (4.882)	38 (1.378)	61 (1.496)	12 (2.402)	26 (0.472)	22 (1.024)	41 (0.866)	24 (1.614)	2.5 (0.945)	Fig.-2 (0.0984)

## CROSS-SECTIONAL CHARTS:

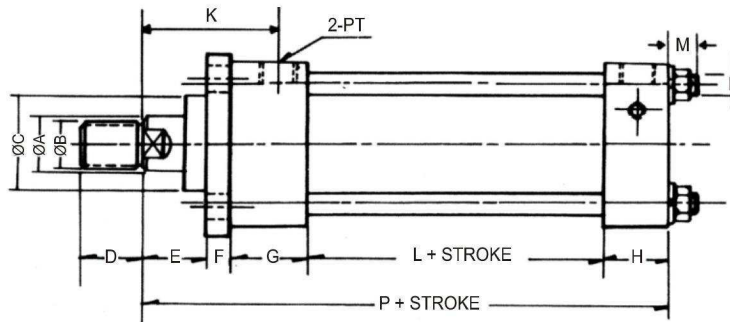
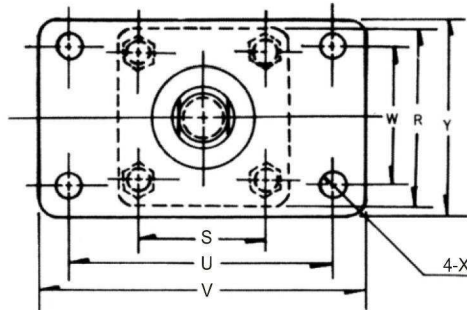


Item No.	Part Descriptions	Materials	Q'ty	Item No.	Part Descriptions	Materials	Q'ty
1	Rod	S45C	1	12	O-ring-2	NBR	1
2	Dust-proof oil seal	Synthetic resin	1	13	Piston	KCD	1
3	Follower plate	SS41	1	14	Piston oil seal	Synthetic resin	2
4	Sleeve	Bronze	1	15	O-ring-3	NBR	2
5	Front cover	SS41	1	16	Rear cover	SS41	1
6	Oil seal	Synthetic resin	1	17	Nut	S45C	8
7	Plug	S45C	2	18	Bolt	S45C	4
8	Spring	SUB	2	19	O-ring-4	NBR	2
9	O-ring-1	NBR	2	20	Cushion adjuster	SCM3	2
10	Steel ball	Bearing Steel	2	21	Plug	S45C	2
11	Tube	STKM13C	1	22	Cushion ring	S45C	1

Descriptions Tube Bore Q'ty	2.Dust-Proof Oil Seal		6 Oil Seal		9	12	14	15	19
	C Rod Dia.	B Rod Dia.	C Rod Dia.	B Rod Dia.	O-ring-1	O-ring-2	Piston Oil Seal	O-ring-3	O-ring-4
	1	1	1	1	2	1	2	2	2
Ø40	DSI-20	DSI-25	DSI-20	DSI-25	P12	P14	USI-30	G35	P8
Ø50	DSI-25	DSI-30	DSI-25	DSI-30	P12	P16	USI-40	G45	P8
Ø63	DSI-30	DSI-35	DSI-30	DSI-35	P12	P18	USI-53	G55	P8
Ø80	DSI-35	DSI-40	DSI-35	DSI-40	P12	P21	USI-71	G75	P8
Ø100	DSI-45	DSI-50	DSI-45	DSI-50	P12	G35	USI-85	G95	P8
Ø125	DSI-50	DSI-60	DSI-50	DSI-60	P12	G40	OSI-125	G95	P8
Ø150	DSI-60	DSI-70	DSI-60	DSI-70	P16	G45	OSI-140	G135	P10
Ø180	DSI-70	DSI-80	DSI-70	DSI-80	P16	G55	OSI-160	G150	P10
Ø200	DSI-80	DSI-100	DSI-80	DSI-100	P16	G60	OSI-180	G170	P10
Ø224	DSI-100	DSI-110	DSI-100	DSI-110	P16	G70	OSI-200	G190	P10
Ø250	DSI-110	DSI-125	DSI-110	DSI-125	P16	G80	OSI-250	G240	P10

## STANDARD HYDRAULIC CYLINDERS

### FA TYPE



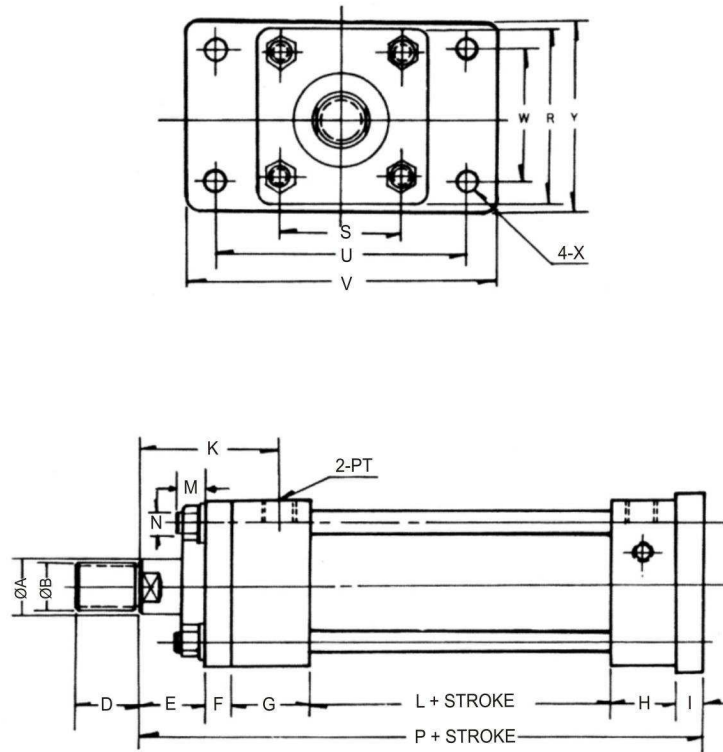
Tube Bore Ø(mm)	Rod Dia. Ø(mm)	Body Dimensions mm(inch)														Mounting Dimensions mm(inch)							
		A	B(mm)	D	E	F	G	H	K	L	M	N(mm)	P	R	S	PT	I	C	U	V	W	X	Y
40	C	20(0.787)	M18P1.5	25(0.984)	20	11	36	26	54	50	13	M10	143	65	45	1/4"	11	35(1.398)	95	118	46	11	69
	B	25(0.984)	M22P1.5	30(1.181)	(0.787)	0.433	(1.417)	(1.024)	(2.126)	(1.969)	(0.512)	P1.5	(5.630)	(2.559)	(1.792)		(0.433)	40(1.575)	(3.740)	(4.646)	(1.811)	(0.433)	(2.717)
50	C	25(0.984)	M22P1.5	30(1.181)	30	13	42	34	68	50	13	M10	169	75	52	3/8"	13	40(1.575)	115	145	58	13	85
	B	30(1.181)	M26P1.5	35(1.378)	(1.181)	0.512	(1.654)	(1.339)	(2.677)	(1.969)	(0.512)	P1.5	(6.654)	(2.953)	(2.047)		(0.512)	45(1.792)	(4.528)	(5.709)	(2.283)	(0.512)	(3.346)
63	C	30(1.181)	M26P1.5	35(1.378)	35	15	42	34	75	50	15	M12	176	90	63	3/8"	15	45(1.792)	132	165	69	15	98
	B	35(1.378)	M30P1.5	40(1.575)	(1.378)	0.591	(1.654)	(1.339)	(2.953)	(1.969)	(0.591)	P1.75	(6.929)	(3.543)	(2.480)		(0.591)	50(1.969)	(5.197)	(6.496)	(2.717)	(0.591)	(3.858)
80	C	35(1.378)	M30P1.5	40(1.575)	35	18	46	40	79	50	17	M16	189	110	80	1/2"	18	50(1.969)	155	190	87	18	118
	B	40(1.575)	M35P1.5	45(1.792)	(1.378)	0.709	(1.811)	(1.575)	(3.110)	(1.969)	(0.669)	P1.5	(7.441)	(4.331)	(3.150)		(0.709)	55(2.165)	(6.102)	(7.480)	(3.425)	(0.709)	(4.646)
100	C	45(1.792)	M40P1.5	45(1.792)	40	20	50	40	90	69	19	M18	219	135	98	1/2"	20	60(2.362)	185	224	109	20	145
	B	50(1.976)	M45P1.5	55(2.165)	(1.575)	0.787	(1.969)	(1.575)	(3.543)	(2.717)	(0.748)	P1.5	(8.622)	(5.315)	(3.858)		(0.787)	65(2.559)	(7.283)	(8.819)	(4.291)	(0.787)	(5.709)
125	C	50(1.969)	M45P1.5	55(2.165)	45	24	58	48	104	69	21	M22	244	165	122	3/4"	24	65(2.559)	224	272	132	24	175
	B	60(2.362)	M50P2	65(2.559)	(1.792)	0.945	(2.283)	(1.890)	(4.094)	(2.717)	(0.827)	P1.5	(9.606)	(6.496)	(4.803)		(0.945)	75(2.953)	(8.819)	(10.709)	(5.197)	(0.945)	(6.890)
150	C	60(2.362)	M50P2	60(2.362)	50	28	58	48	113	69	23	M24	253	195	148	3/4"	28	75(2.953)	265	315	155	28	206
	B	70(2.759)	M60P2	80(3.150)	(1.969)	1.102	(2.283)	(1.890)	(4.449)	(2.717)	(0.906)	P1.5	(9.961)	(7.677)	(5.827)		(1.102)	85(3.346)	(10.433)	(12.402)	(6.102)	(1.102)	(8.110)
180	C	70(2.759)	M60P2	110(4.331)	55	33	68	58	127	80	25	M30	295	235	182	1"	33	85(3.346)	315	375	185	33	243
	B	80(3.150)	M70P2	140(5.512)	(2.165)	1.299	(2.677)	(2.283)	(5.000)	(3.150)	(0.984)	P1.5	(11.614)	(9.252)	(7.165)		(1.299)	100(3.937)	(12.402)	(12.402)	(7.283)	(1.299)	(9.567)
200	C	80(3.150)	M70P2	120(4.724)	55	37	68	58	137	80	27	M32	298	262	200	1"	37	100(3.937)	355	425	206	36	272
	B	100(3.937)	M90P2	150(5.06)	(2.165)	1.457	(2.677)	(2.283)	(5.394)	(3.150)	(1.063)	P2.0	(11.732)	(10.315)	(7.874)		(1.457)	120(4.724)	(13.976)	(16.732)	(8.110)	(1.417)	(10.709)
224	C	100(3.937)	M90P2	140(5.512)	60	41	68	58	146	80	29	M32	307	292	225	1"	41	120(4.724)	395	475	230	42	310
	B	110(4.331)	M100P2	180(7.087)	(2.362)	(1.614)	(2.677)	(2.283)	(5.748)	(3.150)	(1.142)	P2.0	(12.087)	(11.496)	(8.858)		(1.614)	130(5.118)	(15.551)	(18.701)	(9.055)	(1.654)	(12.205)
250	C	110(4.331)	M100P2	150(5.906)	65	46	68	58	169	90	31	M38	327	325	250	1 1/4"	46	130(5.118)	425	515	250	45	335
	B	125(4.980)	M110P2	195(7.480)	(2.559)	(1.811)	(2.677)	(2.283)	(6.654)	(3.543)	(1.220)	P2.0	(12.874)	(12.793)	(9.843)		(1.811)	145(5.709)	(15.551)	(20.276)	(9.843)	(1.772)	(13.189)

Remarks: Rod Dia "C" & "B" are equipped with different Dust-proof oil seal and oil seal for rod. For details please refer to P.28 "Cross-sectional Charts".

- 規格修改，本公司不另行通知
- Specification is subjected to change without notice.

## STANDARD HYDRAULIC CYLINDERS

### FB TYPE

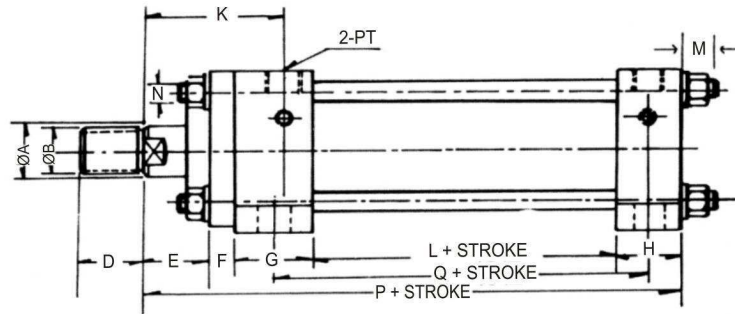
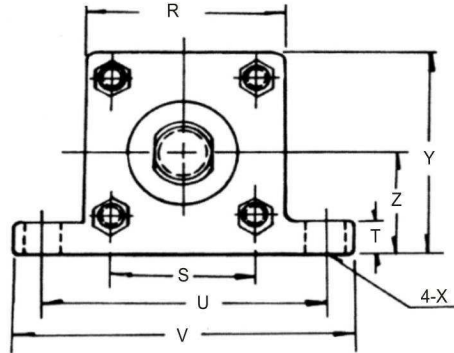


Tube Bore Ø(mm)	Rod Dia. Ø(mm)	Body Dimensions mm(inch)														Mounting Dimensions mm(inch)							
		A	B(mm)	D	E	F	G	H	K	L	M	N(mm)	P	R	S	PT	I	P	U	V	W	X	Y
40	C	20(0.787)	M18P1.5	25(0.984)	20	11	36	26	54	50	13	M10	143	65	45	1/4"	11	154	95	118	46	11	69
	B	25(0.984)	M22P1.5	30(1.181)	(0.787)	(0.433)	(1.417)	(1.024)	(2.126)	(1.969)	(0.512)	P1.5	(5.630)	(2.559)	(1.792)	(0.433)	(0.063)	(3.740)	(4.646)	(1.811)	(0.433)	(2.717)	
50	C	25(0.984)	M22P1.5	30(1.181)	30	13	42	34	68	50	13	M10	169	75	52	3/8"	13	182	115	145	58	13	85
	B	30(1.181)	M26P1.5	35(1.378)	(1.181)	(0.512)	(1.654)	(1.339)	(2.677)	(1.969)	(0.512)	P1.5	(6.654)	(2.953)	(2.047)	(0.512)	(7.165)	(4.528)	(5.709)	(2.283)	(0.512)	(3.346)	
63	C	30(1.181)	M26P1.5	35(1.378)	35	15	42	34	75	50	15	M12	176	90	63	3/8"	15	191	132	165	69	15	98
	B	35(1.378)	M30P1.5	40(1.575)	(1.378)	(0.591)	(1.654)	(1.339)	(2.953)	(1.969)	(0.591)	P1.75	(6.929)	(3.543)	(2.480)	(0.591)	(7.520)	(5.197)	(6.496)	(2.717)	(0.591)	(3.858)	
80	C	35(1.378)	M30P1.5	40(1.575)	35	18	46	40	79	50	17	M16	189	110	80	1/2"	18	207	155	190	87	18	118
	B	40(1.575)	M35P1.5	45(1.792)	(1.378)	(0.709)	(1.811)	(1.575)	(3.110)	(1.969)	(0.669)	P1.5	(7.441)	(4.331)	(3.150)	(0.709)	(1.969)	(6.102)	(7.480)	(3.425)	(0.709)	(4.646)	
100	C	45(1.792)	M40P1.5	45(1.792)	40	20	50	40	90	69	19	M18	219	135	98	1/2"	20	239	185	224	109	20	145
	B	50(1.967)	M45P1.5	55(2.165)	(1.575)	(0.787)	(1.969)	(1.575)	(3.543)	(2.717)	(0.748)	P1.5	(8.622)	(5.315)	(3.858)	(0.787)	(8.150)	(7.283)	(8.819)	(4.291)	(0.787)	(5.709)	
125	C	50(1.967)	M45P1.5	50(2.165)	45	24	58	48	104	69	21	M22	244	165	122	3/4"	24	268	224	272	132	24	175
	B	60(2.362)	M50P2	60(2.362)	(1.792)	(0.945)	(2.283)	(1.890)	(4.094)	(2.717)	(0.827)	P1.5	(9.606)	(6.496)	(4.803)	(0.945)	(0.551)	(8.819)	(10.709)	(5.197)	(0.945)	(6.890)	
150	C	60(2.362)	M50P2	60(2.362)	50	28	58	48	113	69	23	M24	253	195	148	3/4"	28	281	265	315	155	28	206
	B	70(2.756)	M60P2	80(3.150)	(1.969)	(1.102)	(2.283)	(1.890)	(4.449)	(2.717)	(0.906)	P1.5	(9.961)	(7.677)	(5.827)	(1.102)	(11.063)	(10.433)	(12.402)	(6.102)	(1.102)	(8.110)	
180	C	70(2.756)	M60P2	110(4.331)	55	33	68	58	127	80	25	M30	295	235	182	1"	33	327	315	375	185	33	243
	B	80(3.150)	M70P2	140(5.512)	(2.169)	(1.299)	(2.677)	(2.283)	(5.000)	(3.150)	(0.984)	P1.5	(11.614)	(9.252)	(7.165)	(1.299)	(12.874)	(12.402)	(12.402)	(7.283)	(1.299)	(9.567)	
200	C	80(3.150)	M70P2	120(4.724)	55	37	68	58	137	80	27	M32	298	262	200	1"	37	335	355	425	206	36	272
	B	100(3.937)	M90P2	150(5.06)	(2.169)	(1.457)	(2.677)	(2.283)	(5.394)	(3.150)	(1.063)	P2.0	(11.732)	(10.315)	(7.874)	(1.457)	(13.189)	(13.976)	(16.732)	(8.110)	(1.417)	(10.709)	
224	C	100(3.937)	M90P2	140(5.512)	60	41	68	58	146	80	29	M32	307	292	225	1"	41	348	395	475	230	42	310
	B	110(4.331)	M100P2	180(7.087)	(2.362)	(1.614)	(2.677)	(2.283)	(5.748)	(3.150)	(1.142)	P2.0	(12.087)	(11.496)	(8.858)	(1.614)	(13.701)	(15.551)	(18.701)	(9.055)	(1.654)	(12.205)	
250	C	110(4.331)	M100P2	150(5.906)	65	46	68	58	169	90	31	M38	327	325	250	1 1/4"	46	373	425	515	250	45	335
	B	125(4.980)	M110P2	195(7.480)	(2.559)	(1.811)	(2.677)	(2.283)	(6.654)	(3.543)	(1.220)	P2.0	(12.874)	(12.793)	(9.843)	(1.811)	(14.685)	(15.551)	(20.276)	(9.843)	(1.772)	(13.189)	

Remarks: Rod Dia "C" & "B" are equipped with different Dust-proof oil seal and oil seal for rod. For details please refer to P.28 "Cross-sectional Charts".

## STANDARD HYDRAULIC CYLINDERS

### LA - TYPE



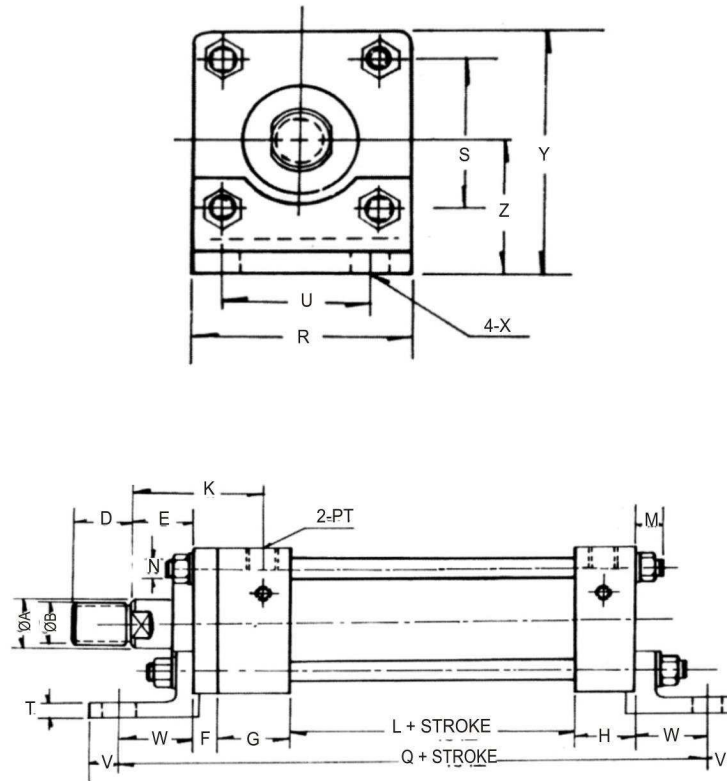
Tube Bore Ø(mm)	Rod Dia. Ø(mm)	Body Dimensions mm(inch)														Mounting Dimensions mm(inch)								
		A	B(mm)	D	E	F	G	H	K	L	M	N(mm)	C	R	S	PT	P	Q	T	U	V	X	Y	Z
40	C	20(0.787)	M18P1.5	25(0.984)	20	11	36	26	54	50	13	M10	35(1.398)	65	45	1/4"	143	81	13	90	112	11	65	32.5
	B	25(0.984)	M22P1.5	30(1.181)	(0.787)	(0.433)	(1.417)	(1.024)	(2.126)	(1.969)	(0.512)	P1.5	40(1.575)	(2.559)	(1.792)	1/4"	(5.130)	(3.189)	(0.512)	(3.543)	(4.409)	(0.433)	(2.559)	(1.280)
50	C	25(0.984)	M22P1.5	30(1.181)	30	13	42	34	68	50	13	M10	40(1.575)	75	52	3/8"	169	88	15	109	132	13	75	37.5
	B	30(1.181)	M26P1.5	35(1.378)	(1.181)	(0.512)	(1.654)	(1.339)	(2.677)	(1.969)	(0.512)	P1.5	45(1.792)	(2.953)	(2.047)	3/8"	(6.654)	(3.465)	(0.591)	(4.291)	(5.197)	(0.512)	(2.953)	(1.475)
63	C	30(1.181)	M26P1.5	35(1.378)	35	15	42	34	75	50	15	M12	45(1.792)	90	63	3/8"	176	88	18	128	154	15	90	45
	B	35(1.378)	M30P1.5	40(1.575)	(1.378)	(0.591)	(1.654)	(1.339)	(2.953)	(1.969)	(0.591)	P1.75	50(1.969)	(3.543)	(2.480)	3/8"	(7.047)	(3.465)	(0.709)	(5.039)	(6.063)	(0.591)	(3.543)	(1.772)
80	C	35(1.378)	M30P1.5	40(1.575)	35	18	46	40	79	50	17	M16	50(1.969)	110	80	1/2"	189	93	20	152	184	18	110	55
	B	40(1.575)	M35P1.5	45(1.792)	(1.378)	(0.709)	(1.811)	(1.575)	(3.110)	(1.969)	(0.669)	P1.5	55(2.165)	(4.331)	(3.150)	1/2"	(7.441)	(3.661)	(0.787)	(5.984)	(7.244)	(0.709)	(4.331)	(2.165)
100	C	45(1.792)	M40P1.5	45(1.792)	40	20	50	40	90	69	19	M18	60(2.362)	135	98	1/2"	219	114	24	178	210	20	135	67.5
	B	50(1.967)	M45P1.5	55(2.165)	(1.575)	(0.787)	(1.969)	(1.575)	(3.543)	(2.717)	(0.748)	P1.5	65(2.559)	(5.315)	(3.858)	1/2"	(8.622)	(4.488)	(0.945)	(7.008)	(8.268)	(0.787)	(5.315)	(2.657)
125	C	50(1.967)	M45P1.5	55(2.165)	45	24	58	48	104	69	21	M22	65(2.559)	165	122	3/4"	244	122	28	211	250	24	165	82.5
	B	60(2.362)	M50P2	65(2.559)	(1.792)	(0.945)	(2.283)	(1.890)	(4.094)	(2.717)	(0.827)	P1.5	75(2.953)	(6.496)	(4.803)	3/4"	(9.606)	(4.803)	(1.102)	(8.307)	(9.843)	(0.945)	(6.496)	(3.248)
150	C	60(2.362)	M50P2	60(2.362)	50	28	58	48	113	69	23	M24	75(2.953)	195	148	3/4"	253	122	32	255	300	28	195	97.5
	B	70(2.756)	M60P2	80(3.150)	(1.969)	(1.102)	(2.283)	(1.890)	(4.449)	(2.717)	(0.906)	P1.5	85(3.346)	(7.677)	(5.827)	3/4"	(9.961)	(4.803)	(1.260)	(10.039)	(11.811)	(1.102)	(7.677)	(3.839)
180	C	70(2.756)	M60P2	110(4.331)	55	33	68	58	127	80	25	M30	85(3.346)	235	182	1"	294	143	37	300	354	33	235	117.5
	B	80(3.150)	M70P2	140(5.512)	(2.165)	(1.299)	(2.677)	(2.283)	(5.000)	(3.150)	(0.984)	P1.5	100(3.937)	(9.252)	(7.165)	1"	(11.575)	(5.630)	(1.457)	(11.811)	(13.937)	(1.299)	(9.252)	(4.628)
200	C	80(3.150)	M70P2	120(4.724)	55	37	68	58	137	80	27	M32	100(3.937)	262	200	1"	298	143	42	326	385	33	262	131
	B	100(3.937)	M90P2	150(5.906)	(2.165)	(1.457)	(2.677)	(2.283)	(5.394)	(3.150)	(1.063)	P2.0	120(4.724)	(10.315)	(7.874)	1"	(11.732)	(5.630)	(1.654)	(12.835)	(15.157)	(0.945)	(10.315)	(5.157)
224	C	100(3.937)	M90P2	140(5.512)	60	41	68	58	146	80	29	M32	120(4.724)	292	225	1"	307	143	47	360	420	36	292	146
	B	110(4.331)	M100P2	180(7.087)	(2.362)	(1.614)	(2.677)	(2.283)	(5.748)	(3.150)	(1.142)	P2.0	130(5.118)	(11.496)	(8.858)	1"	(12.087)	(5.630)	(1.850)	(14.173)	(16.535)	(1.417)	(11.496)	(5.748)
250	C	110(4.331)	M100P2	150(5.906)	65	46	68	58	169	90	31	M38	130(5.118)	325	250	1 1/4"	327	153	52	405	476	42	325	162.5
	B	125(4.980)	M110P2	195(7.480)	(2.559)	(1.811)	(2.677)	(2.283)	(6.654)	(3.543)	(1.220)	P2.0	145(5.709)	(12.793)	(9.843)	1 1/4"	(12.874)	(6.024)	(2.047)	(15.945)	(18.740)	(1.654)	(12.795)	(6.398)

Remarks: Rod Dia "C" & "B" are equipped with different Dust-proof oil seal and oil seal for rod. For details please refer to P.28 "Cross-sectional Charts".



## STANDARD HYDRAULIC CYLINDERS

### LB - TYPE

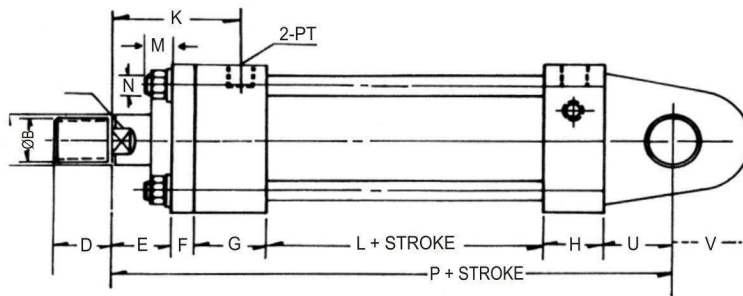
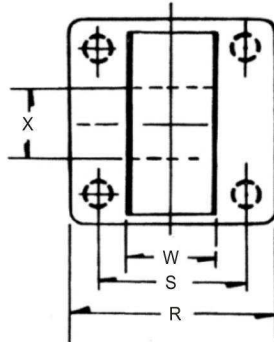


Tube Bore Ø(mm)	Rod Dia Ø(mm)	Body Dimensions mm(inch)															Mounting Dimensions mm(inch)							
		A	B(mm)	D	E	F	G	H	K	L	M	N(mm)	C	R	S	PT	Q	T	U	V	W	X	Y	Z
40	C	20(0.787)	M18P1.5	25(0.984)	20	11	36	26	54	50	13	M10	35(1.398)	65	45	1/4"	187	8	45	13	32	11	75.5	43
	B	25(0.984)	M22P1.5	30(1.181)	(0.787)	(0.433)	(1.417)	(1.024)	(2.126)	(1.969)	(0.512)	P1.5	40(1.575)	(2.559)	(1.792)		(7.362)	(0.315)	(1.772)	(0.512)	(1.260)	(0.433)	(2.972)	(1.6593)
50	C	25(0.984)	M22P1.5	30(1.181)	30	13	42	34	68	50	13	M10	40(1.575)	75	52	3/8"	209	8	52	15	35	13	87.5	50
	B	30(1.181)	M26P1.5	35(1.378)	(1.181)	(0.512)	(1.654)	(1.339)	(2.677)	(1.969)	(0.512)	P1.5	45(1.792)	(2.953)	(2.047)		(8.228)	(0.315)	(2.047)	(0.591)	(1.378)	(0.512)	(3.445)	(1.969)
63	C	30(1.181)	M26P1.5	35(1.378)	35	15	42	34	75	50	15	M12	45(1.792)	90	63	3/8"	225	10	63	18	42	15	105	60
	B	35(1.378)	M30P1.5	40(1.575)	(1.378)	(0.591)	(1.654)	(1.339)	(2.953)	(1.969)	(0.591)	P1.75	50(1.969)	(3.543)	(2.480)		(8.858)	(0.394)	(2.480)	(0.709)	(1.654)	(0.591)	(4.134)	(2.362)
80	C	35(1.378)	M30P1.5	40(1.575)	35	18	46	40	79	50	17	M16	50(1.969)	110	80	1/2"	254	12	80	20	50	18	127	72
	B	40(1.575)	M35P1.5	45(1.792)	(1.378)	(0.709)	(1.811)	(1.575)	(3.110)	(1.969)	(0.669)	P1.5	55(2.165)	(4.331)	(3.150)		(10.000)	(0.472)	(3.150)	(0.787)	(1.969)	(0.709)	(5.000)	(2.835)
100	C	45(1.792)	M40P1.5	45(1.792)	40	20	50	40	90	69	19	M18	60(2.362)	135	98	1/2"	289	12	98	23	55	20	152.5	85
	B	50(1.967)	M45P1.5	55(2.165)	(1.375)	(0.787)	(1.969)	(1.575)	(3.543)	(2.717)	(0.748)	P1.5	65(2.559)	(5.315)	(3.858)		(11.378)	(0.472)	(3.858)	(0.906)	(2.165)	(0.787)	(6.004)	(3.246)
125	C	50(1.967)	M45P1.5	55(2.165)	45	24	58	48	104	69	21	M22	65(2.559)	165	122	3/4"	331	15	122	29	66	24	187.5	105
	B	60(2.362)	M50P2	65(2.559)	(1.792)	(0.945)	(2.283)	(1.890)	(4.094)	(2.717)	(0.827)	P1.5	75(2.953)	(6.496)	(4.803)		(13.031)	(0.591)	(4.803)	(1.142)	(2.598)	(0.945)	(7.382)	(4.134)
150	C	60(2.362)	M50P2	60(2.362)	50	28	58	48	113	69	23	M24	75(2.953)	195	148	3/4"	353	18	148	30	75	28	211	123
	B	70(2.756)	M60P2	80(3.150)	(1.969)	(1.102)	(2.283)	(1.890)	(4.449)	(2.717)	(0.906)	P1.5	85(3.346)	(7.677)	(5.827)		(13.898)	(0.709)	(5.827)	(1.181)	(2.953)	(1.102)	(8.307)	(4.843)
180	C	70(2.756)	M60P2	110(4.331)	55	33	68	58	127	80	25	M30	85(3.346)	235	182	1"	409	20	182	40	85	33	265.5	148
	B	80(3.150)	M70P2	140(5.512)	(2.165)	(1.299)	(2.677)	(2.283)	(5.000)	(3.150)	(0.984)	P1.5	100(3.937)	(9.252)	(7.165)		(16.102)	(0.787)	(7.165)	(1.575)	(3.346)	(1.299)	(10.453)	(5.827)
200	C	80(3.150)	M70P2	120(4.724)	55	37	68	58	137	80	27	M32	100(3.937)	262	200	1"	439	25	200	40	98	36	296	165
	B	100(3.937)	M90P2	150(5.906)	(2.165)	(1.457)	(2.677)	(2.283)	(5.394)	(3.150)	(1.063)	P2.0	120(4.724)	(10.315)	(7.874)		(17.283)	(0.984)	(7.874)	(1.575)	(3.858)	(1.417)	(11.654)	(6.496)
224	C	100(3.937)	M90P2	140(5.512)	60	41	68	58	146	80	29	M32	120(4.724)	292	225	1"	477	30	225	45	115	41	331	185
	B	110(4.331)	M100P2	180(7.087)	(2.362)	(1.614)	(2.677)	(2.283)	(5.748)	(3.150)	(1.142)	P2.0	130(5.118)	(11.496)	(8.858)		(18.780)	(1.181)	(8.858)	(1.772)	(4.528)	(1.164)	(13.031)	(2.283)
250	C	110(4.331)	M100P2	150(5.906)	65	46	68	58	169	90	31	M38	130(5.118)	325	250	1 1/4"	522	35	250	50	130	46	370.5	208
	B	125(4.980)	M110P2	195(7.480)	(2.559)	(1.811)	(2.677)	(2.283)	(6.654)	(3.543)	(1.220)	P2.0	145(5.709)	(12.793)	(9.843)		(20.551)	(1.378)	(9.843)	(1.969)	(5.118)	(1.811)	(14.41)	(8.189)

Remarks: Rod Dia "C" & "B" are equipped with different Dust-proof oil seal and oil seal for rod. For details please refer to P.28 "Cross-sectional Charts".

## STANDARD HYDRAULIC CYLINDERS

### CA - TYPE



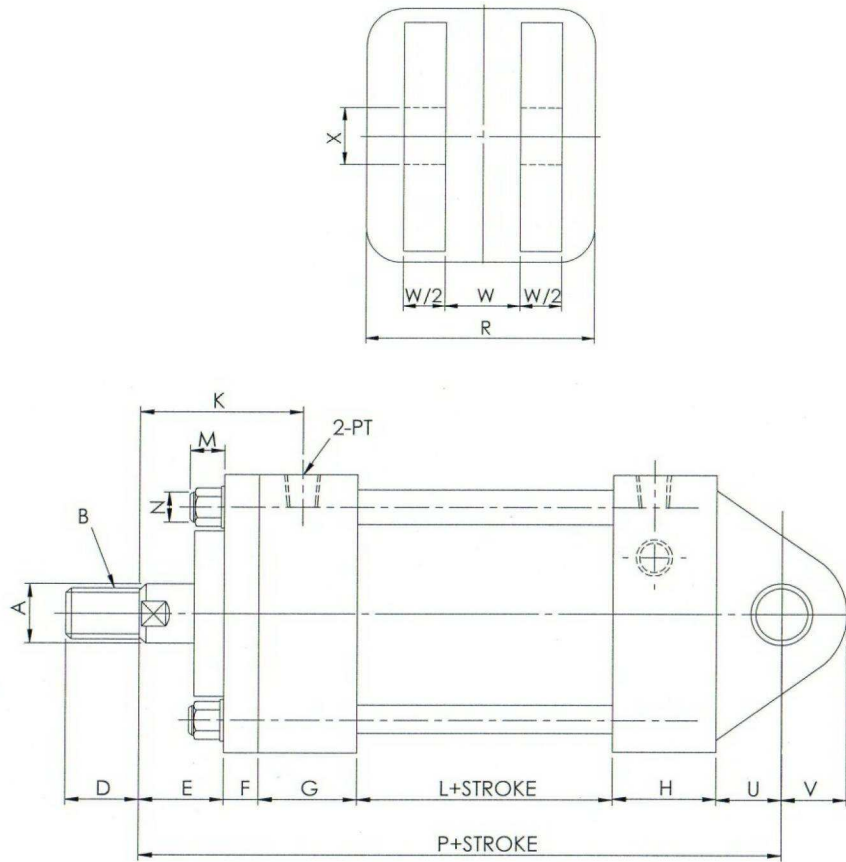
Tube Bore Ø(mm)	Rod Dia. Ø(mm)	Mounting Dimensions mm(inch)																			
		A	B(mm)	D	E	F	G	H	K	L	M	N	C	R	S	PT	P	U	V	W	X
40	C	20(0.787)	M18P1.5	25(0.984)	20	11	36	26	54	50	13	M10	35(1.398)	65	45	1/4"	181	38	16	25	16
	B	25(0.984)	M22P1.5	30(1.181)	(0.787)	0.433	(1.417)	(1.024)	(2.126)	(1.969)	(0.512)	P1.5	40(1.575)	(2.559)	(1.792)		(7.126)	(1.417)	(0.630)	(0.984)	(0.630)
50	C	25(0.984)	M22P1.5	30(1.181)	30	13	42	34	68	50	13	M10	40(1.575)	75	52	3/8"	214	45	20	31.5	20
	B	30(1.181)	M26P1.5	35(1.378)	(1.181)	(0.512)	(1.654)	(1.339)	(2.677)	(1.969)	(0.512)	P1.5	45(1.792)	(2.953)	(2.047)		(8.425)	(1.772)	(0.787)	(1.240)	(0.787)
63	C	30(1.181)	M26P1.5	35(1.378)	35	15	42	34	75	50	15	M12	45(1.792)	90	63	3/8"	239	63	31.5	40	31.5
	B	35(1.378)	M30P1.5	40(1.575)	(1.378)	(0.591)	(1.654)	(1.339)	(2.953)	(1.969)	(0.591)	P1.75	50(1.969)	(3.543)	(2.480)		(9.409)	(2.480)	(1.240)	(1.575)	(1.240)
80	C	35(1.378)	M30P1.5	40(1.575)	35	18	46	40	79	50	17	M16	50(1.969)	110	80	1/2"	261	72	31.5	40	31.5
	B	40(1.575)	M35P1.5	45(1.792)	(1.378)	(0.709)	(1.811)	(1.575)	(3.110)	(1.969)	(0.669)	P1.5	55(2.165)	(4.331)	(3.150)		(10.276)	(2.835)	(1.240)	(1.575)	(1.240)
100	C	45(1.792)	M40P1.5	45(1.792)	40	20	50	40	90	69	19	M18	60(2.362)	135	98	1/2"	303	84	40	50	40
	B	50(1.967)	M45P1.5	55(2.165)	(1.575)	(0.787)	(1.969)	(1.575)	(3.543)	(2.717)	(0.748)	P1.5	65(2.559)	(5.315)	(3.858)		(11.929)	(3.307)	(1.575)	(1.969)	(1.575)
125	C	50(1.967)	M45P1.5	55(2.165)	45	24	58	48	104	69	21	M22	65(2.559)	165	122	3/4"	307	63	50	63	50
	B	60(2.362)	M50P2	65(2.559)	(1.792)	(0.945)	(2.283)	(1.890)	(4.094)	(2.717)	(0.827)	P1.5	75(2.953)	(6.496)	(4.803)		(12.087)	(2.480)	(1.969)	(2.480)	(1.969)
150	C	60(2.362)	M50P2	60(2.362)	50	28	58	48	113	69	23	M24	75(2.953)	195	148	3/4"	333	80	63	80	63
	B	70(2.759)	M60P2	80(3.150)	(1.969)	(1.102)	(2.283)	(1.890)	(4.449)	(2.717)	(0.906)	P1.5	85(3.346)	(7.677)	(5.827)		(13.087)	(3.150)	(2.480)	(3.150)	(2.480)
180	C	70(2.758)	M60P2	110(4.331)	55	33	68	58	127	80	25	M30	85(3.346)	235	182	1"	394	100	80	100	80
	B	80(3.150)	M70P2	140(5.512)	(2.169)	(1.299)	(2.677)	(2.283)	(5.000)	(3.150)	(0.984)	P1.5	100(3.937)	(9.252)	(7.165)		(15.512)	(3.937)	(3.150)	(3.937)	(3.150)
200	C	80(3.150)	M70P2	120(4.724)	55	37	68	58	137	80	27	M32	100(3.937)	262	200	1"	413	115	90	125	90
	B	100(3.937)	M90P2	150(5.906)	(2.165)	(1.457)	(2.677)	(2.283)	(5.394)	(3.150)	(1.063)	P2.0	120(4.724)	(10.315)	(7.874)		(16.260)	(4.528)	(3.543)	(4.921)	(3.543)
224	C	100(3.937)	M90P2	140(5.512)	60	41	68	58	146	80	29	M32	120(4.724)	292	225	1"	432	125	100	125	100
	B	110(4.331)	M100P2	180(7.087)	(2.362)	(1.614)	(2.677)	(2.283)	(5.748)	(3.150)	(1.142)	P2.0	130(5.118)	(11.496)	(8.858)		(17.008)	(4.921)	(3.937)	(4.921)	(3.937)
250	C	110(4.331)	M100P2	150(5.906)	65	46	68	58	169	90	31	M38	130(5.118)	325	250	1 1/4"	452	125	100	125	100
	B	125(4.980)	M110P2	195(7.480)	(2.559)	(1.811)	(2.677)	(2.283)	(6.654)	(3.543)	(1.220)	P2.0	145(5.709)	(12.793)	(9.843)		(17.008)	(4.921)	(3.937)	(4.921)	(3.937)

Remarks: Rod Dia "C" & "B" are equipped with different Dust-proof oil seal and oil seal for rod. For details please refer to P.28 "Cross-sectional Charts".

- 規格修改，本公司不另行通知
- Specification is subjected to change without notice.

## STANDARD HYDRAULIC CYLINDERS

### CB - TYPE

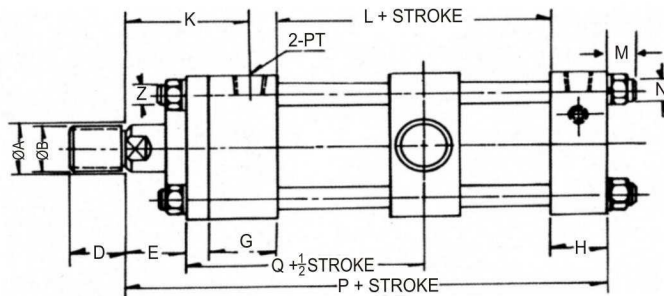
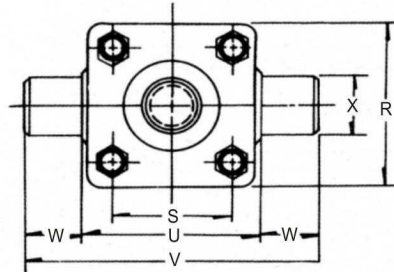


Tube Bore Ø(mm)	Rod Dia. Ø(mm)	Body Dimensions mm(inch)														Mounting Dimensions mm(inch)					
		A	B(mm)	D	E	F	G	H	K	L	M	N	C	R	$\frac{W}{2}$	PT	P	U	V	W	X
40	C	20(0.787)	M18P1.5	25(0.984)	20	11	36	26	54	50	13	M10	35(1.378)	65	12.5	1/4"	181	38	16	25	16
	B	25(0.984)	M22P1.5	30(1.181)	(0.787)	(0.433)	(1.417)	(1.024)	(2.126)	(1.969)	(0.512)	P1.5	40(1.575)	(2.559)	(0.492)		(7.126)	(1.496)	(0.630)	(0.984)	(0.630)
50	C	25(0.984)	M22P1.5	30(1.181)	30	13	42	34	68	50	13	M10	40(1.575)	75	15.75	3/8"	214	45	20	31.5	20
	B	30(1.181)	M26P1.5	35(1.378)	(1.181)	(0.512)	(1.654)	(1.339)	(2.677)	(1.969)	(0.512)	P1.5	45(1.792)	(2.953)	(0.62)		(8.425)	(1.772)	(0.787)	(1.240)	(0.787)
63	C	30(1.181)	M26P1.5	35(1.378)	35	15	42	34	75	50	15	M12	45(1.792)	90	20	3/8"	239	63	31.5	40	31.5
	B	35(1.378)	M30P1.5	40(1.575)	(1.378)	(0.591)	(1.654)	(1.339)	(2.953)	(1.969)	(0.591)	P1.75	50(1.969)	(3.543)	(0.787)		(9.409)	(2.480)	(1.240)	(1.575)	(1.140)
80	C	35(1.378)	M30P1.5	40(1.575)	35	18	46	40	79	50	17	M16	50(1.969)	110	20	1/2"	261	72	31.5	40	31.5
	B	40(1.575)	M35P1.5	45(1.792)	(1.378)	(0.709)	(1.811)	(1.575)	(3.110)	(1.969)	(0.669)	P1.5	55(2.165)	(4.331)	(0.787)		(10.276)	(2.835)	(1.240)	(1.575)	(1.240)
100	C	45(1.792)	M40P1.5	45(1.792)	40	20	50	40	90	69	19	M18	60(2.362)	135	25	1/2"	303	84	40	50	40
	B	50(1.967)	M45P1.5	55(2.165)	(1.575)	(0.787)	(1.969)	(1.575)	(3.543)	(2.717)	(0.748)	P1.5	65(2.559)	(5.315)	(0.984)		(11.929)	(3.307)	(1.575)	(1.969)	(1.575)
125	C	50(1.967)	M45P1.5	55(2.165)	45	24	58	48	104	69	21	M22	65(2.559)	165	31.5	3/4"	307	63	50	63	50
	B	60(2.362)	M50P2	65(2.559)	(1.792)	(0.945)	(2.283)	(1.890)	(4.094)	(2.717)	(0.827)	P1.5	75(2.953)	(6.496)	(1.240)		(12.087)	(2.480)	(1.969)	(2.480)	(1.969)
150	C	60(2.362)	M50P2	60(2.362)	50	28	58	48	113	69	23	M24	75(2.953)	195	40	3/4"	333	80	63	80	63
	B	70(2.756)	M60P2	80(3.150)	(1.969)	(1.102)	(2.283)	(1.890)	(4.449)	(2.717)	(0.906)	P1.5	85(3.346)	(7.677)	(1.575)		(13.110)	(3.150)	(2.480)	(3.150)	(2.480)
180	C	70(2.756)	M60P2	110(4.331)	55	33	68	58	127	80	25	M30	85(3.346)	235	50	1"	394	100	80	100	80
	B	80(3.150)	M70P2	140(5.512)	(2.165)	(1.299)	(2.677)	(2.283)	(5.000)	(3.150)	(0.984)	P1.5	100(3.937)	(9.252)	(1.969)		(15.512)	(3.937)	(3.150)	(3.937)	(3.150)
200	C	80(3.150)	M70P2	120(4.724)	55	37	68	58	137	80	27	M32	100(3.937)	262	62.5	1"	413	115	90	125	90
	B	100(3.937)	M90P2	150(5.906)	(2.165)	(1.457)	(2.677)	(2.283)	(5.394)	(3.150)	(1.063)	P2.0	120(4.724)	(10.315)	(2.461)		(16.260)	(4.528)	(3.543)	(4.921)	(3.543)
224	C	100(3.937)	M90P2	140(5.512)	60	41	68	58	146	80	29	M32	120(4.724)	292	62.5	1"	432	125	100	125	100
	B	110(4.331)	M100P2	180(7.087)	(2.362)	(1.614)	(2.677)	(2.283)	(5.748)	(3.150)	(1.142)	P2.0	130(5.118)	(11.496)	(2.461)		(17.008)	(4.921)	(3.937)	(4.921)	(3.937)
250	C	110(4.331)	M100P2	150(5.906)	65	46	68	58	169	90	31	M38	130(5.118)	325	62.5	1 1/4"	452	125	100	125	100
	B	125(4.980)	M110P2	195(7.480)	(2.559)	(1.811)	(2.677)	(2.283)	(6.654)	(3.543)	(1.220)	P2.0	145(5.709)	(12.793)	(2.461)		(17.795)	(4.921)	(3.937)	(4.921)	(3.937)

Remarks: Rod Dia "C" & "B" are equipped with different Dust-proof oil seal and oil seal for rod. For details please refer to P.28 "Cross-sectional Charts".

## STANDARD HYDRAULIC CYLINDERS

### TC - TYPE



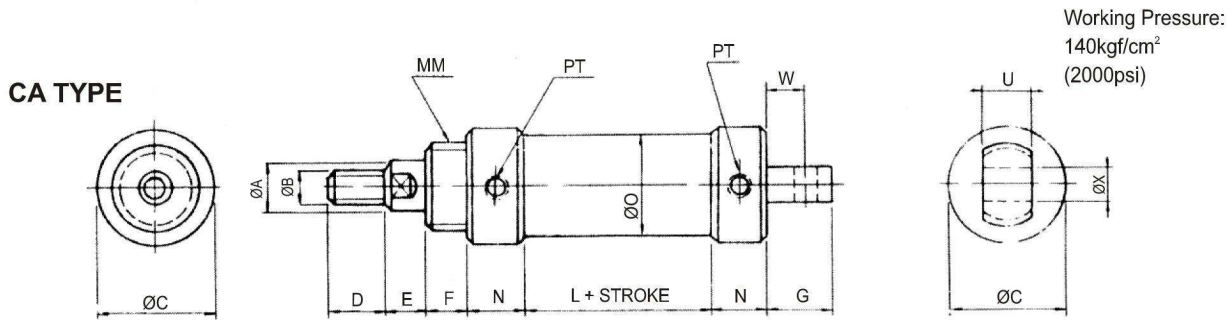
Tube Bore Ø(mm)	Rod Dia. Ø(mm)	Mounting Dimensions mm(inch)																				
		A	B(mm)	D	E	F	G	H	K	L	M	N(mm)	C	R	S	PT	P	Q	U	V	W	X
40	C	20(0.787)	M18P1.5	25(0.984)	20	11	36	26	54	50	13	M10	35(1.378)	65	45	1/4"	143	72	69	109	20	20
	B	25(0.984)	M22P1.5	30(1.181)	(0.787)	(0.433)	(1.417)	(1.024)	(2.126)	(1.969)	(0.512)	P1.5	40(1.575)	(2.559)	(1.792)		(5.634)	(2.835)	(2.717)	(4.291)	(0.787)	(0.787)
50	C	25(0.984)	M22P1.5	30(1.181)	30	13	42	34	68	50	13	M10	40(1.575)	75	52	3/8"	169	80	85	135	25	25
	B	30(1.181)	M26P1.5	35(1.378)	(1.181)	(0.512)	(1.654)	(1.339)	(2.677)	(1.969)	(0.512)	P1.5	45(1.792)	(2.953)	(2.047)		(6.654)	(3.150)	(3.346)	(5.315)	(0.984)	(0.984)
63	C	30(1.181)	M26P1.5	35(1.378)	35	15	42	34	75	50	15	M12	45(1.792)	90	63	3/8"	176	82	98	161	31.5	31.5
	B	35(1.378)	M30P1.5	40(1.575)	(1.378)	(0.591)	(1.654)	(1.339)	(2.953)	(1.969)	(0.591)	P1.75	50(1.969)	(3.543)	(2.480)		(6.929)	(3.228)	(3.858)	(6.339)	(1.246)	(1.246)
80	C	35(1.378)	M30P1.5	40(1.575)	35	18	46	40	79	50	17	M16	50(1.969)	110	80	1/2"	189	89	118	181	31.5	31.5
	B	40(1.575)	M35P1.5	45(1.792)	(1.378)	(0.709)	(1.811)	(1.575)	(3.110)	(1.969)	(0.669)	P1.5	55(2.165)	(4.331)	(3.150)		(7.441)	(3.504)	(4.646)	(7.126)	(1.246)	(1.246)
100	C	45(1.792)	M40P1.5	45(1.792)	40	20	50	40	90	69	19	M18	60(2.362)	135	98	1/2"	219	104	145	225	40	40
	B	50(1.967)	M45P1.5	55(2.165)	(1.575)	(0.787)	(1.969)	(1.575)	(3.543)	(2.717)	(0.748)	P1.5	65(2.559)	(5.315)	(3.858)		(8.622)	(4.114)	(5.709)	(8.858)	(1.575)	(1.575)
125	C	50(1.967)	M45P1.5	55(2.165)	45	24	58	48	104	69	21	M22	65(2.559)	165	122	3/4"	244	116.5	175	275	50	50
	B	60(2.362)	M50P2	65(2.559)	(1.792)	(0.945)	(2.283)	(1.890)	(4.094)	(2.717)	(0.827)	P1.5	75(2.953)	(6.496)	(4.803)		(9.606)	(4.587)	(6.890)	(10.827)	(1.969)	(1.969)
150	C	60(2.362)	M50P2	60(2.362)	50	28	58	48	113	69	23	M24	75(2.953)	195	148	3/4"	253	120.5	206	332	63	63
	B	70(2.756)	M60P2	80(3.150)	(1.969)	(1.102)	(2.283)	(1.890)	(4.449)	(2.717)	(0.906)	P1.5	85(3.346)	(7.677)	(5.827)		(9.961)	(4.744)	(8.110)	(13.071)	(2.480)	(2.480)
180	C	70(2.756)	M60P2	110(4.331)	55	33	68	58	127	80	25	M30	85(3.346)	235	182	1"	294	141	243	103	80	80
	B	80(3.150)	M70P2	140(5.512)	(2.165)	(1.299)	(2.677)	(2.283)	(5.000)	(3.150)	(0.984)	P1.5	100(3.937)	(9.252)	(7.165)		(11.575)	(5.551)	(9.567)	(4.055)	(3.150)	(3.150)
200	C	80(3.150)	M70P2	120(4.724)	55	37	68	58	137	80	27	M32	100(3.937)	262	200	1"	298	145	272	452	90	90
	B	100(3.937)	M90P2	150(5.906)	(2.165)	(1.457)	(2.677)	(2.283)	(5.394)	(3.150)	(1.063)	P2.0	120(4.724)	(10.315)	(7.874)		(11.732)	(5.709)	(10.709)	(17.795)	(3.543)	(3.543)
224	C	100(3.937)	M90P2	140(5.512)	60	41	68	58	146	80	29	M32	120(4.724)	292	225	1"	307	149	300	500	100	100
	B	110(4.331)	M100P2	180(7.087)	(2.362)	(1.614)	(2.677)	(2.283)	(5.748)	(3.150)	(1.142)	P2.0	130(5.118)	(11.496)	(8.858)		(12.087)	(5.866)	(11.811)	(19.585)	(3.937)	(3.937)
250	C	110(4.331)	M100P2	150(5.906)	65	46	68	58	169	90	31	M38	130(5.118)	325	250	1 1/4"	327	159	335	535	100	100
	B	125(4.980)	M110P2	195(7.480)	(2.559)	(1.811)	(2.677)	(2.283)	(6.654)	(3.543)	(1.220)	P2.0	145(5.709)	(12.793)	(9.843)		(12.874)	(6.260)	(13.189)	(21.063)	(3.937)	(3.937)

Remarks: Rod Dia "C" & "B" are equipped with different Dust-proof oil seal and oil seal for rod. For details please refer to P.28 "Cross-sectional Charts".

- 規格修改，本公司不另行通知
- Specification is subjected to change without notice.

## SHAFT TEETH SCREW ON & SHAFT KEY INSERT TYPE (SMALL)

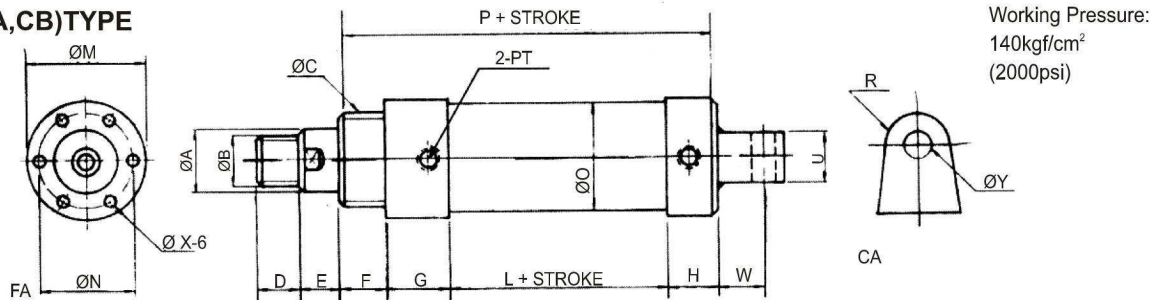
### OMC SERIES



Unit:mm/(in)

Tube Bore Ø(mm)	ØA	B (mm)	C	D	E	F	G	L	B (mm)	N	O	X	U	W	PT
20	12 (0.472)	M10XP1.5	32 (1.260)	20 (0.787)	14 (0.551)	22 (0.866)	22 (0.866)	40 (1.575)	M22XP1.5	16 (0.630)	30 (1.181)	10 (0.394)	14 (0.551)	12 (0.472)	1/8"
25	14 (0.551)	M12XP1.75	36 (1.417)	20 (0.787)	16 (0.630)	24 (0.945)	24 (0.945)	44 (1.732)	M26XP1.5	16 (0.630)	35 (1.378)	12 (0.472)	14 (0.551)	13 (0.512)	1/8"
30	18 (0.709)	M16XP1.5	40 (1.575)	25 (0.984)	18 (0.709)	24 (0.945)	24 (0.945)	54 (2.126)	M35XP1.5	22 (0.866)	40 (1.575)	12 (0.472)	16 (0.630)	13 (0.512)	1/4"
40	20 (0.781)	M18XP1.5	50 (1.969)	25 (0.984)	20 (0.787)	32 (1.260)	32 (1.260)	54 (2.126)	M32XP2.0	22 (0.866)	50 (1.969)	16 (0.630)	20 (0.787)	18 (0.709)	1/4"

### FA(CA,CB)TYPE



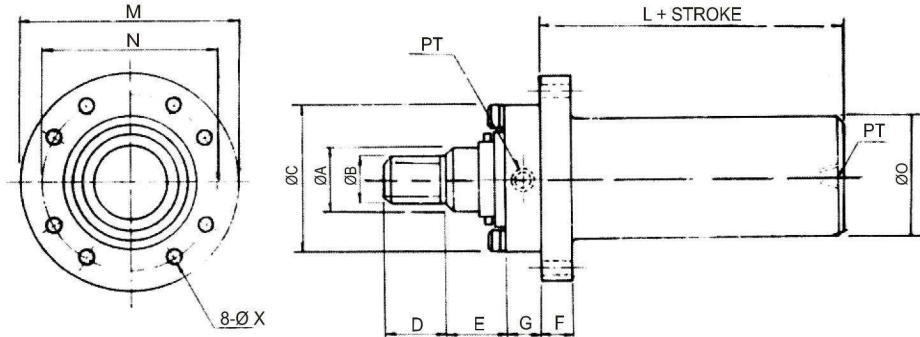
Unit:mm/(in)

Tube Bore Ø(mm)	A	B (mm)	C (mm)	D	E	F	G	H	L	M	N	O	P	R	ØX	ØY	W	U	PT
50	25 (0.984)	M22XP1.5	45XP1.5	30 (1.181)	30 (1.181)	15 (0.591)	35 (1.378)	25 (0.984)	60 (2.362)	100 (3.937)	80 (3.150)	60 (2.362)	135 (5.315)	20 (0.787)	11 (0.433)	20 (0.787)	30 (1.181)	25 (0.984)	1/4"
63	30 (1.181)	M26XP1.5	65XP1.5 35	35 (1.378)	35 (1.378)	18 (0.709)	37 (1.457)	30 (1.181)	60 (2.362)	125 (4.921)	100 (3.937)	73 (2.874)	145 (5.709)	30 (1.181)	14 (0.551)	30 (1.181)	45 (1.792)	30 (1.181)	3/8"
70	35 (1.378)	M30XP1.5	70XP1.5 40	40 (1.575)	40 (1.575)	18 (0.709)	37 (1.457)	30 (1.181)	66 (2.598)	130 (5.118)	105 (4.131)	80 (3.150)	151 (5.945)	30 (1.181)	14 (0.551)	30 (1.181)	45 (1.792)	30 (1.181)	3/8"
80	40 (1.575)	M35XP1.5	80XP2	45 (1.792)	45 (1.792)	20 (0.787)	40 (1.575)	30 (1.181)	80 (3.150)	155 (6.102)	125 (4.921)	90 (3.543)	170 (6.693)	35 (1.378)	18 (0.709)	35 (1.378)	50 (1.969)	35 (1.378)	3/8"
90	45 (1.792)	M40XP1.5	90XP2	50 (1.969)	50 (1.969)	20 (0.787)	45 (1.772)	35 (1.378)	95 (3.740)	165 (6.496)	135 (5.315)	100 (3.937)	195 (7.677)	40 (1.575)	18 (0.709)	40 (1.575)	55 (2.165)	35 (1.398)	1/2"
100	50 (1.969)	M45XP2	100XP2	55 (2.165)	55 (2.165)	25 (0.984)	45 (1.772)	40 (1.575)	101 (3.976)	185 (7.283)	155 (6.102)	114 (4.488)	211 (8.307)	40 (1.575)	20 (0.781)	40 (1.575)	55 (2.165)	40 (1.575)	1/2"
110	55 (2.169)	M50XP2	110XP2	60 (2.362)	60 (2.362)	25 (0.984)	45 (1.772)	40 (1.575)	105 (4.131)	205 (8.071)	170 (6.693)	125 (4.921)	215 (8.465)	50 (1.969)	20 (0.781)	50 (1.969)	70 (2.756)	40 (1.575)	3/4"
125	60 (2.362)	M55XP2	125XP2	60 (2.362)	60 (2.362)	30 (1.181)	55 (2.165)	50 (1.969)	105 (4.131)	220 (8.661)	180 (7.087)	140 (5.512)	240 (9.449)	50 (1.969)	20 (0.781)	50 (1.969)	70 (2.756)	63 (2.480)	3/4"
140	65 (2.557)	M60XP2	140XP2	65 (2.559)	65 (2.559)	36 (1.417)	55 (2.165)	50 (1.969)	115 (4.528)	250 (9.843)	205 (8.071)	160 (6.299)	256 (10.079)	60 (2.362)	24 (0.945)	60 (2.362)	95 (3.740)	63 (2.480)	3/4"
150	70 (2.756)	M65XP2	150XP2	70 (2.756)	70 (2.756)	36 (1.417)	55 (2.165)	50 (1.969)	115 (4.528)	260 (10.236)	220 (8.661)	168 (6.614)	256 (10.079)	60 (2.362)	24 (0.945)	60 (2.362)	95 (3.740)	80 (3.150)	3/4"

## SHAFT TEETH SCREW ON & SHAFT KEY INSERT TYPE (LARGE FA)

### OMB SERIES

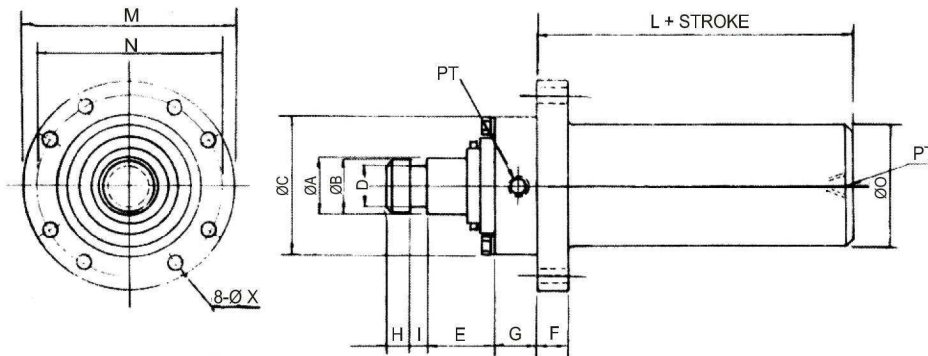
**FA-I TYPE**  
Shaft Teeth Screw on



Unit:mm/(in)

Tube Bore Ø(mm)	ØA	B	ØC	D	E	F	G	L	M	N	ØO	ØX	PT
160	110 (4.331)	M10XP3	230 (9.055)	140 (5.512)	60 (2.362)	60 (2.362)	60 (2.362)	160 (6.299)	320 (12.598)	280 (11.054)	205 (8.071)	18 (0.709)	3/4"
180	125 (4.921)	M110XP4	260 (10.236)	150 (5.906)	60 (2.362)	65 (2.559)	60 (2.362)	165 (6.496)	360 (14.178)	310 (12.205)	216 (8.504)	20 (0.787)	3/4"
200	140 (5.512)	M120XP4	270 (10.630)	160 (6.299)	70 (2.756)	70 (2.756)	65 (2.559)	180 (7.087)	380 (14.961)	330 (12.992)	242 (9.528)	20 (0.787)	1"
224	160 (6.299)	M120XP4	310 (12.205)	160 (6.299)	70 (2.756)	70 (2.756)	65 (2.559)	180 (7.087)	420 (16.535)	370 (14.567)	273 (10.748)	22 (0.866)	1"
250	180 (7.087)	M150XP4	330 (12.992)	190 (7.480)	80 (3.150)	80 (3.150)	75 (2.953)	210 (8.268)	450 (17.717)	390 (15.354)	298 (11.732)	24 (0.945)	1 1/4"
280	200 (7.874)	M150XP4	370 (14.567)	190 (7.480)	80 (3.150)	90 (3.543)	75 (2.953)	240 (9.449)	500 (19.685)	440 (17.323)	340 (13.386)	26 (1.024)	1 1/4"
300	224 (8.819)	M180XP4	390 (15.354)	220 (8.661)	90 (3.543)	100 (3.937)	85 (2.346)	256 (10.433)	515 (20.276)	450 (17.717)	355 (13.976)	28 (1.102)	1 1/2"
350	250 (9.843)	M200XP4	460 (18.110)	220 (8.661)	100 (3.937)	120 (4.724)	85 (2.346)	300 (11.811)	600 (23.622)	540 (21.260)	425 (16.732)	32 (1.260)	1 1/2"

**FA-II TYPE**  
Shaft Key Insert



Unit:mm/(in)

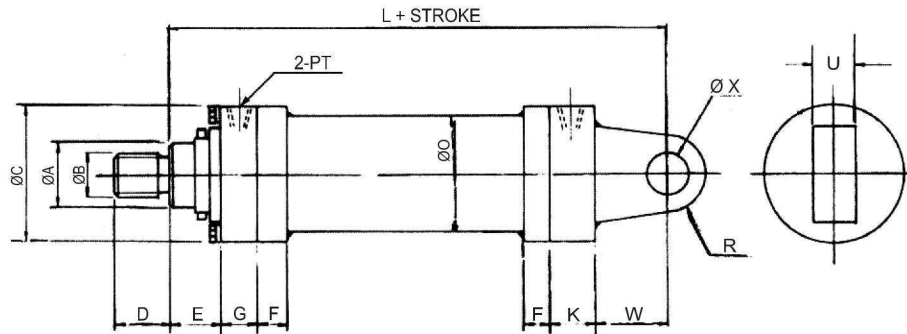
Tube Bore Ø(mm)	ØA	B	C	D	E	F	H	I	G	L	M	N	ØO	ØX	PT
160	110 (4.331)	105 (4.134)	230 (9.055)	85 (3.346)	80 (3.150)	60 (2.362)	25 (0.984)	20 (0.787)	60 (2.362)	160 (6.299)	320 (12.598)	280 (11.054)	205 (8.071)	18 (0.709)	3/4"
180	125 (4.921)	120 (4.724)	260 (10.236)	100 (3.937)	80 (3.150)	65 (2.559)	25 (0.984)	20 (0.787)	60 (2.362)	165 (6.496)	360 (14.178)	310 (12.205)	216 (8.504)	20 (0.787)	3/4"
200	140 (5.512)	135 (5.315)	270 (10.630)	115 (4.528)	90 (3.543)	70 (2.756)	30 (1.181)	25 (0.984)	65 (2.559)	180 (7.087)	380 (14.961)	330 (12.992)	242 (9.528)	20 (0.787)	1"
224	160 (6.299)	155 (6.102)	310 (12.205)	135 (5.315)	90 (3.543)	70 (2.756)	30 (1.181)	25 (0.984)	65 (2.559)	180 (7.087)	420 (16.535)	370 (14.567)	273 (10.748)	22 (0.866)	1"
250	180 (7.087)	175 (6.890)	330 (12.994)	150 (5.906)	100 (3.937)	80 (3.150)	35 (1.378)	30 (1.181)	75 (2.953)	210 (8.268)	450 (17.717)	390 (15.354)	298 (11.732)	24 (0.945)	1 1/4"
280	200 (7.874)	195 (6.890)	370 (14.567)	170 (6.693)	100 (3.937)	90 (3.543)	35 (1.378)	30 (1.181)	75 (2.953)	240 (9.449)	500 (19.685)	440 (17.323)	340 (13.386)	26 (1.024)	1 1/4"
300	224 (8.819)	220 (8.661)	390 (15.354)	190 (7.480)	120 (4.724)	100 (3.937)	40 (1.575)	35 (1.378)	85 (3.346)	256 (10.433)	515 (20.276)	450 (17.717)	355 (13.976)	28 (1.102)	1 1/2"
350	250 (9.843)	245 (9.646)	460 (18.110)	220 (8.661)	120 (4.724)	120 (4.724)	40 (1.575)	35 (1.378)	85 (3.346)	300 (11.811)	600 (23.622)	540 (21.260)	425 (16.732)	32 (1.260)	1 1/2"

SHAFT TEETH SCREW ON & SHAFT KEY INSERT TYPE (LARGE FA)

OMA SERIES

Working Pressure:  
210kgf/cm<sup>2</sup>  
(3000psi)

CA- I TYPE  
Shaft Teeth Screw on

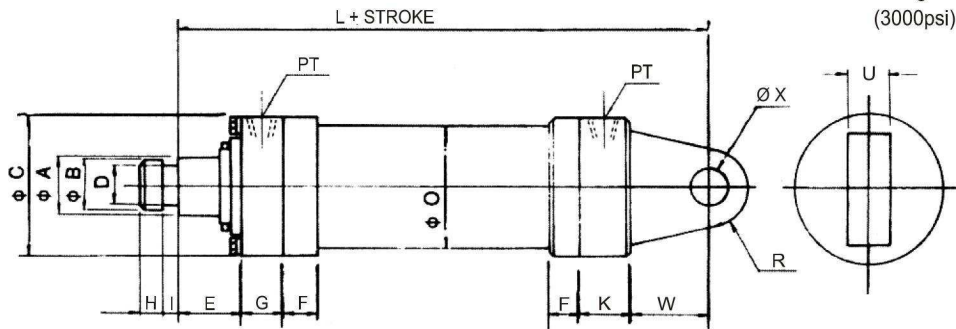


Unit:mm/(in)

Tube Bore Ø(mm)	A	B(mm)	C	D	E	F	G	L	K	R	ØO	ØX	U	W	PT
160	110 (4.331)	M100XP3	230 (9.055)	140 (5.512)	60 (2.362)	45 (1.772)	60 (2.362)	160 (6.496)	55 (2.165)	70 (2.756)	205 (8.071)	70 (2.756)	100 (3.937)	100 (3.937)	3/4"
180	125 (4.921)	M110XP4	260 (10.236)	150 (5.906)	60 (2.362)	50 (1.969)	60 (2.362)	165 (6.496)	55 (2.165)	80 (3.150)	216 (8.504)	80 (3.150)	110 (4.331)	110 (4.331)	3/4"
200	140 (5.512)	M120XP4	270 (10.630)	160 (6.299)	70 (2.756)	55 (2.165)	65 (2.559)	180 (7.087)	60 (2.362)	90 (3.543)	242 (9.528)	90 (3.543)	115 (4.528)	120 (4.927)	1"
224	160 (6.299)	M120XP4	310 (12.205)	160 (6.299)	70 (2.756)	55 (2.165)	65 (2.559)	180 (7.087)	60 (2.362)	90 (3.543)	273 (10.748)	90 (3.543)	115 (4.528)	120 (4.927)	1"
250	180 (7.087)	M150XP4	330 (12.994)	190 (7.480)	80 (3.150)	65 (2.559)	75 (2.953)	210 (8.268)	68 (2.677)	100 (3.937)	298 (11.732)	100 (3.937)	120 (4.927)	130 (5.118)	1 1/4"
280	200 (7.874)	M150XP4	370 (14.567)	190 (7.480)	80 (3.150)	65 (2.559)	75 (2.953)	240 (9.449)	68 (2.677)	110 (4.331)	340 (13.386)	110 (4.331)	130 (5.118)	140 (5.512)	1 1/4"
300	224 (8.819)	M180XP4	390 (15.354)	220 (8.661)	90 (3.543)	70 (2.756)	85 (3.346)	256 (10.433)	74 (2.913)	120 (4.927)	355 (13.976)	120 (4.927)	140 (5.512)	150 (5.906)	1 1/2"
350	250 (9.843)	M200XP4	460 (18.110)	220 (8.661)	100 (3.937)	80 (3.150)	85 (3.346)	300 (11.811)	74 (2.913)	140 (5.512)	425 (16.732)	140 (5.512)	150 (5.906)	170 (6.693)	1 1/2"

CA- II TYPE  
Shaft Key Insert

Working Pressure:  
210kgf/cm<sup>2</sup>  
(3000psi)



Unit:mm/(in)

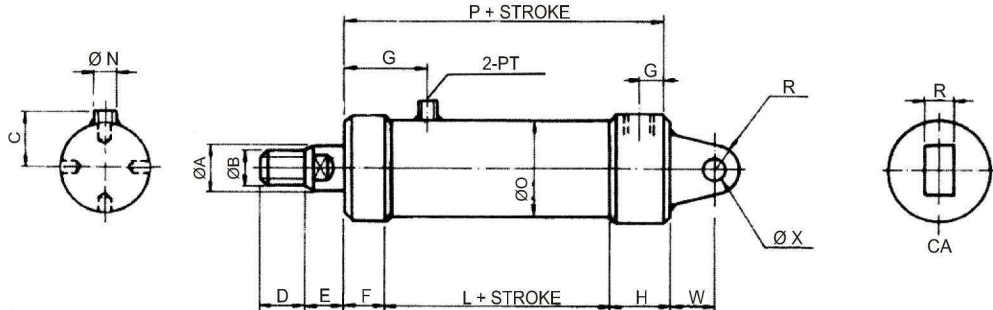
Tube Bore Ø(mm)	ØA	B	C	D	E	F	H	I	G	L	K	R	ØO	ØX	U	W	PT
160	110 (4.331)	105 (4.134)	230 (9.055)	85 (3.346)	80 (3.150)	45 (1.772)	25 (0.984)	20 (0.787)	60 (2.362)	160 (6.496)	55 (2.165)	70 (2.756)	205 (8.071)	70 (2.756)	100 (3.937)	100 (3.937)	3/4"
180	125 (4.921)	120 (4.724)	260 (10.236)	100 (3.937)	80 (3.150)	50 (1.969)	25 (0.984)	20 (0.787)	60 (2.362)	165 (6.496)	55 (2.165)	80 (3.150)	216 (8.504)	80 (3.150)	110 (4.331)	110 (4.331)	3/4"
200	140 (5.512)	135 (5.315)	270 (10.630)	115 (4.528)	90 (3.543)	55 (2.165)	30 (1.181)	25 (0.984)	180 (7.087)	60 (2.362)	60 (2.362)	90 (3.543)	242 (9.528)	90 (3.543)	115 (4.528)	120 (4.927)	1"
224	160 (6.299)	155 (6.102)	310 (12.205)	135 (5.315)	90 (3.543)	55 (2.165)	30 (1.181)	25 (0.984)	180 (7.087)	60 (2.362)	60 (2.362)	90 (3.543)	273 (10.748)	90 (3.543)	115 (4.528)	120 (4.927)	1"
250	180 (7.087)	175 (6.890)	330 (12.994)	150 (5.906)	100 (3.937)	65 (2.559)	35 (1.378)	30 (1.181)	210 (8.268)	68 (2.677)	68 (2.677)	100 (3.937)	298 (11.732)	100 (3.937)	120 (4.927)	130 (5.118)	1 1/4"
280	200 (7.874)	195 (7.667)	370 (14.567)	170 (6.693)	100 (3.937)	65 (2.559)	35 (1.378)	30 (1.181)	240 (9.449)	68 (2.677)	68 (2.677)	110 (4.331)	340 (13.386)	110 (4.331)	130 (5.118)	140 (5.512)	1 1/4"
300	224 (8.819)	220 (8.661)	390 (15.354)	190 (7.480)	120 (4.724)	70 (2.756)	40 (1.575)	35 (1.378)	256 (10.433)	74 (2.913)	74 (2.913)	120 (4.927)	355 (13.976)	120 (4.927)	140 (5.512)	150 (5.906)	1 1/2"
350	250 (9.843)	245 (9.646)	460 (18.110)	220 (8.661)	120 (4.724)	80 (3.150)	40 (1.575)	35 (1.378)	300 (11.811)	74 (2.913)	74 (2.913)	140 (5.512)	425 (16.732)	140 (5.512)	150 (5.906)	170 (6.693)	1 1/2"

●規格修改，本公司不另行通知  
●Specification is subjected to change without notice.

## PRODUCTION MACHINERY HYDRAULIC CYLINDERS

### OMD SERIES (shaft teeth screw on and shaft inset type)

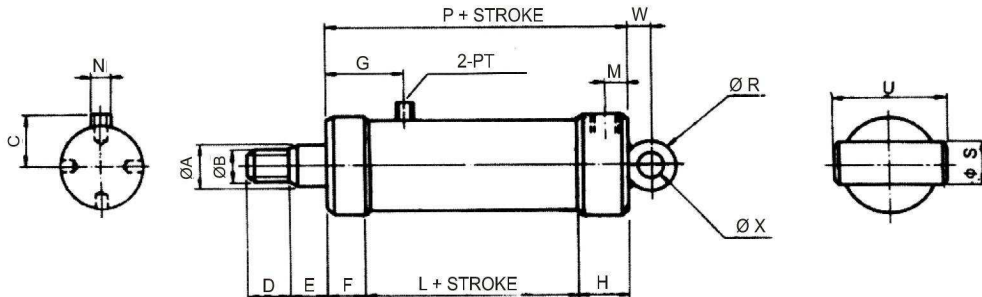
#### CA- I TYPE



Unit:mm/(in)

Tube Bore Ø(mm)	A	B (mm)	C	D	E	F	G	H	L	M	ØN	O	P	R	ØX	W	U	PT	
50	25 (0.984)	M22XP1.5	45 (1.792)	30 (1.181)	30 (1.181)	15 (0.591)	53 (2.087)	30 (1.181)	80 (3.150)	12 (0.472)	20 (0.787)	60 (2.362)	125 (4.921)	20 (0.787)	20 (0.787)	30 (1.181)	25 (0.984)	1/4"	
63	30 (1.181)	M26XP1.5	57 (2.244)	35 (1.378)	35 (1.378)	15 (0.591)	58 (2.283)	35 (1.378)	85 (3.346)	15 (0.591)	23 (0.906)	73 (2.874)	135 (5.315)	30 (1.181)	30 (1.181)	30 (1.181)	45 (1.792)	30 (1.181)	3/8"
70	35 (1.378)	M30XP1.5	60 (2.362)	40 (1.575)	35 (1.378)	15 (0.591)	65 (2.559)	35 (1.378)	92 (3.622)	15 (0.591)	23 (0.906)	80 (3.152)	142 (5.591)	30 (1.181)	30 (1.181)	30 (1.181)	45 (1.792)	30 (1.181)	3/8"
80	40 (1.575)	M35XP1.5	65 (2.559)	45 (1.792)	40 (1.575)	15 (0.591)	65 (2.559)	35 (1.378)	92 (3.622)	15 (0.591)	23 (0.906)	90 (3.543)	142 (5.591)	35 (1.378)	35 (1.378)	50 (1.969)	35 (1.378)	30 (1.181)	3/8"
90	45 (1.792)	M40XP1.5	70 (2.756)	50 (1.969)	45 (1.792)	15 (0.591)	68 (2.677)	45 (1.792)	100 (3.937)	20 (0.787)	28 (1.102)	100 (3.937)	160 (6.299)	40 (1.575)	40 (1.575)	55 (2.165)	35 (1.378)	1/2"	
100	50 (1.969)	M45XP2	75 (2.953)	55 (2.165)	45 (1.792)	15 (0.591)	68 (2.677)	45 (1.792)	100 (3.937)	20 (0.787)	28 (1.102)	114 (4.488)	160 (6.299)	40 (1.575)	40 (1.575)	55 (2.165)	40 (1.575)	1/2"	
110	55 (2.169)	M50XP2	80 (3.150)	60 (2.362)	45 (1.792)	15 (0.591)	68 (2.677)	45 (1.792)	100 (3.937)	20 (0.787)	28 (1.102)	125 (4.921)	160 (6.299)	50 (1.969)	50 (1.969)	70 (2.756)	40 (1.575)	1/2"	
125	60 (2.362)	M55XP2	94 (3.701)	60 (2.362)	45 (1.792)	18 (0.709)	74 (2.913)	55 (2.155)	128 (5.039)	25 (0.984)	35 (1.378)	140 (5.512)	201 (7.913)	50 (1.969)	50 (1.969)	70 (2.756)	63 (3.480)	3/4"	
140	65 (2.559)	M60XP2	104 (4.094)	65 (2.559)	50 (1.969)	18 (0.709)	75 (2.953)	55 (2.165)	135 (5.315)	25 (0.984)	35 (1.378)	160 (6.299)	208 (8.189)	60 (2.362)	60 (2.362)	95 (3.740)	63 (3.480)	3/4"	
150	70 (2.756)	M65XP2	108 (4.252)	70 (2.756)	50 (1.969)	18 (0.709)	76 (2.992)	55 (2.165)	137 (5.394)	25 (0.984)	35 (1.378)	168 (6.614)	210 (8.268)	60 (2.362)	60 (2.362)	95 (3.740)	80 (3.150)	3/4"	

#### CA- II TYPE



Unit:mm/(in)

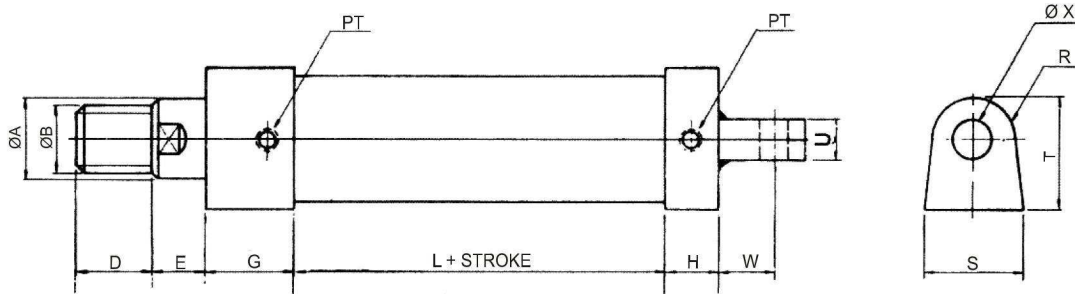
Tube Bore Ø(mm)	A (mm)	B (mm)	C	D	E	F	G	H	L	M	N	O	P	R	ØS	ØX	W	U	PT	
50	25 (0.984)	M22XP1.5	45 (1.792)	30 (1.181)	30 (1.181)	15 (0.591)	53 (2.087)	30 (1.181)	80 (3.150)	12 (0.472)	20 (0.787)	60 (2.362)	125 (4.921)	20 (0.787)	38 (1.496)	25 (0.984)	19 (0.748)	70 (2.756)	1/4"	
63	30 (1.181)	M26XP1.5	57 (2.244)	35 (1.378)	35 (1.378)	15 (0.591)	58 (2.283)	35 (1.378)	85 (3.346)	15 (0.591)	23 (0.906)	73 (2.874)	135 (5.315)	30 (1.181)	30 (1.181)	30 (1.181)	45 (1.792)	30 (1.181)	22.5 (0.886)	85 (3.346)
70	35 (1.378)	M30XP1.5	60 (2.362)	40 (1.575)	35 (1.378)	15 (0.591)	65 (2.559)	35 (1.378)	92 (3.622)	15 (0.591)	23 (0.906)	80 (3.152)	142 (5.591)	30 (1.181)	30 (1.181)	30 (1.181)	45 (1.792)	30 (1.181)	22.5 (0.886)	95 (3.740)
80	40 (1.575)	M35XP1.5	65 (2.559)	45 (1.792)	40 (1.575)	15 (0.591)	65 (2.559)	35 (1.378)	92 (3.622)	15 (0.591)	23 (0.906)	90 (3.543)	142 (5.591)	35 (1.378)	35 (1.378)	50 (1.969)	35 (1.378)	30 (1.181)	25 (0.984)	105 (4.134)
90	45 (1.792)	M40XP1.5	70 (2.756)	50 (1.969)	45 (1.792)	15 (0.591)	68 (2.677)	45 (1.792)	100 (3.937)	20 (0.787)	28 (1.102)	100 (3.937)	160 (6.299)	40 (1.575)	40 (1.575)	55 (2.165)	35 (1.378)	30 (1.181)	42.5 (1.673)	115 (4.528)
100	50 (1.969)	M45XP2	75 (2.953)	55 (2.165)	45 (1.792)	15 (0.591)	68 (2.677)	45 (1.792)	100 (3.937)	20 (0.787)	28 (1.102)	114 (4.488)	160 (6.299)	40 (1.575)	40 (1.575)	55 (2.165)	30 (1.181)	30 (1.181)	40 (1.575)	130 (5.118)
110	55 (2.169)	M50XP2	80 (3.150)	60 (2.362)	45 (1.792)	15 (0.591)	68 (2.677)	45 (1.792)	100 (3.937)	20 (0.787)	28 (1.102)	125 (4.921)	160 (6.299)	50 (1.969)	50 (1.969)	75 (2.953)	50 (1.969)	37.5 (1.476)	140 (5.512)	1/2"
125	60 (2.362)	M55XP2	94 (3.701)	60 (2.362)	45 (1.792)	18 (0.709)	74 (2.913)	55 (2.165)	128 (5.039)	25 (0.984)	35 (1.378)	140 (5.512)	201 (7.913)	50 (1.969)	50 (1.969)	75 (2.953)	50 (1.969)	37.5 (1.476)	160 (6.299)	3/4"
140	65 (2.559)	M60XP2	104 (4.094)	65 (2.559)	50 (1.969)	18 (0.709)	75 (2.953)	55 (2.165)	135 (5.315)	25 (0.984)	35 (1.378)	160 (6.299)	208 (8.189)	60 (2.362)	60 (2.362)	85 (3.346)	60 (2.362)	42.5 (1.673)	180 (7.087)	3/4"
150	70 (2.756)	M65XP2	108 (4.252)	70 (2.756)	50 (1.969)	18 (0.709)	76 (2.992)	55 (2.165)	137 (5.394)	25 (0.984)	35 (1.398)	168 (6.614)	210 (8.268)	60 (2.362)	60 (2.362)	85 (3.346)	60 (2.362)	42.5 (1.673)	190 (7.480)	3/4"



SYNCHRONOUS HYD. CYLINDERS (FOR CAR - PARKING SYSTEM)

OME SERIES

CA- I TYPE

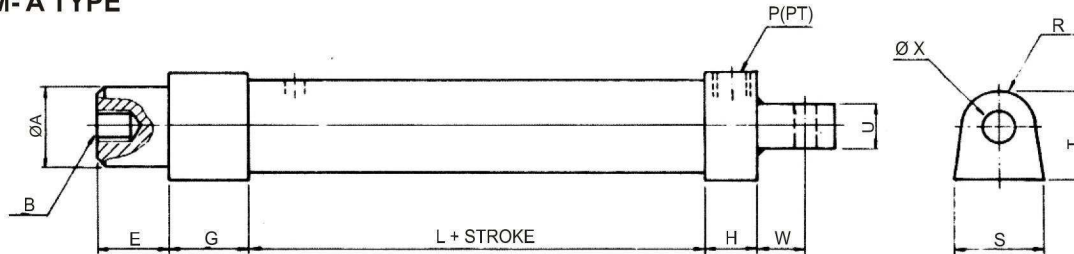


Unit:mm/(in)

Type	Tube Bore Ø(mm)	A	B (mm)	D	E	G	H	L	R	S	T	U	ØX	PT
1	60	45	M35XP1.5	60	30	60	30	130	30	60	70	30	26	3/8"
	75	(1.772)		(2.362)	(1.181)	(2.362)	(1.181)	(5.118)	(1.181)	(2.362)	(2.756)	(1.181)	(1.024)	
2	63	50	M40XP1.5	70	30	60	30	130	30	60	70	30	26	3/8"
	80	(1.969)		(2.756)	(1.181)	(2.362)	(1.181)	(5.118)	(1.181)	(2.362)	(2.756)	(1.181)	(1.024)	
3	80	60	M50XP2.0	80	40	70	40	150	35	70	80	35	36	1/2"
	100	(2.362)		(3.150)	(1.575)	(2.756)	(1.575)	(5.906)	(1.378)	(2.756)	(3.150)	(1.378)	(1.417)	
4	100	75	M65XP2.0	90	40	70	40	150	40	80	95	40	41	1/2"
	125	(2.953)		(3.543)	(1.575)	(2.756)	(1.575)	(5.906)	(1.575)	(3.150)	(3.740)	(1.575)	(1.614)	

This type can be welded to become mounting type FB.

RAM- A TYPE



Unit:mm/(in)

Type	A	B (mm)	ØC	E	G	H	L	R	S	T	U	ØX	PT
1	80 (3.150)	M16XP2.0	Ø120	100 (3.937)	30 (1.181)	35 (1.378)	70 (2.756)	30 (1.181)	60 (2.362)	70 (2.756)	30 (1.181)	26 (1.024)	1/2"
2	100 (3.937)	M20XP2.5	Ø140	100 (3.937)	30 (1.181)	45 (1.792)	90 (3.543)	35 (1.378)	70 (2.756)	80 (3.150)	35 (1.378)	30 (1.181)	1/2"
3	125 (4.921)	M20XP2.5	Ø163	100 (3.937)	30 (1.181)	45 (1.792)	120 (4.724)	40 (1.575)	80 (3.150)	95 (3.740)	40 (1.575)	40 (1.575)	1/2"

This type can be welded to become mounting type FB.

RAM-B Type

- 1.This type equips rods with diameter (140, 150, 160, 180, 200, 224, 250, 300, 350, 400, 450 or 500).For other specifications please consult us.
- 2.There are mounting types FA, FB and CA available in this type.