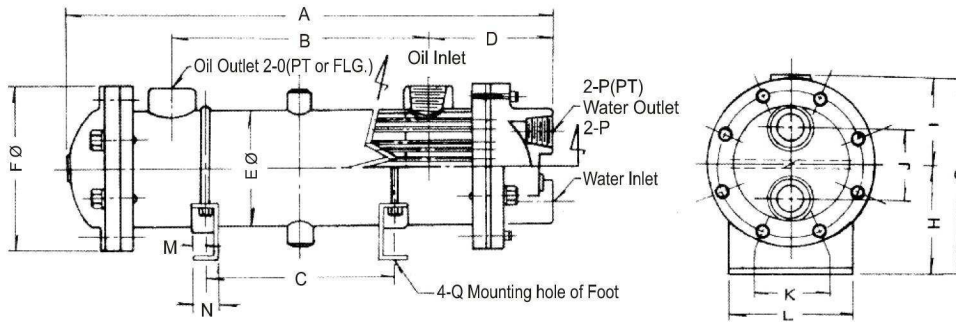


DIMENSIONS & SPECIFICATIONS:

KMCL

Unit:mm/(in)



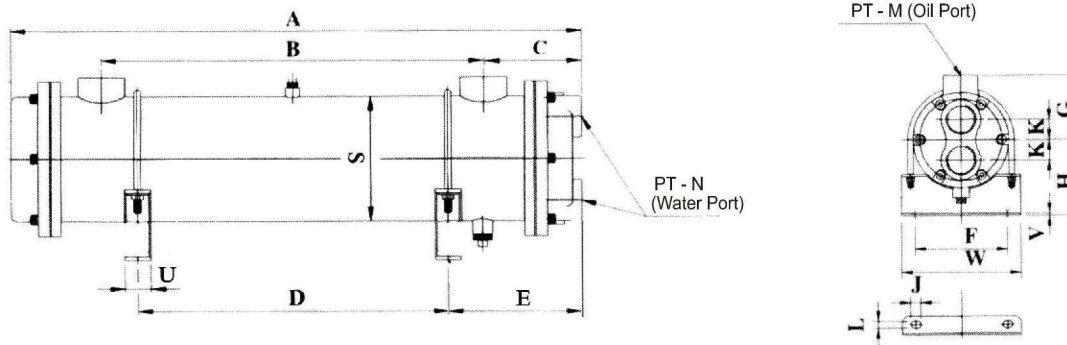
Model	A	B	C	D	E	F	G	H	I	J	K	L	M	N	O	P	Q	Flow l/min(GPM)		Area m ² (ft ²)	Weight kg(lb)
																		Rated	Max		
3Y04	595 (23.425)	408 (16.063)	270 (10.630)	92.5 (3.642)	89 (3.504)	120 (4.724)	138 (5.433)	76 (2.992)	62 (2.441)	50 (1.969)	95 (3.740)	115 (4.528)	10 (0.394)	22 (0.866)	PT3/4	PT3/4	7X10 (0.275X0.393)	60 (16)	100 (26)	0.39 (4.20)	9.5 (20.9)
3Y06	885 (34.843)	720 (28.346)	500 (19.685)	82.5 (3.248)	89 (3.504)	120 (4.724)	138 (5.433)	76 (2.992)	62 (2.441)	50 (1.969)	95 (3.740)	115 (4.528)	10 (0.394)	22 (0.866)	PT3/4	PT1/4	7X10 (0.275X0.393)	100 (26)	150 (40)	0.58 (6.24)	12 (26.4)
4Y08	606 (23.858)	398 (15.669)	330 (12.992)	109 (4.291)	114 (4.488)	140 (5.512)	177 (6.969)	97 (3.819)	80 (3.150)	65 (2.559)	128 (5.039)	151 (5.945)	11 (0.433)	25 (0.984)	PT1 1/4	PT3/4	9X13 (0.354X0.511)	150 (40)	250 (66)	0.8 (8.6)	17.5 (38.5)
4Y12	896 (35.276)	710 (27.953)	640 (25.197)	93 (3.661)	114 (4.488)	140 (5.512)	177 (6.969)	97 (3.819)	80 (3.150)	65 (2.559)	128 (5.039)	151 (5.945)	11 (0.433)	25 (0.984)	PT1 1/4	PT3/4	9X13 (0.354X0.511)	250 (66)	350 (93)	1.22 (13.1)	22.7 (50.0)
4Y20	1316 (51.811)	1110 (43.701)	1020 (40.157)	103 (4.055)	114 (4.488)	140 (5.512)	181 (7.126)	97 (3.819)	84 (3.307)	65 (2.559)	128 (5.039)	151 (5.945)	11 (0.433)	25 (0.984)	PT1 1/2	PT3/4	9X13 (0.354X0.511)	350 (93)	600 (159)	1.92 (20.7)	30 (66.1)
5Y30	1326 (52.206)	1060 (41.732)	960 (37.795)	133 (5.236)	140 (5.512)	172 (6.772)	208 (8.189)	107 (4.213)	101 (3.976)	72 (2.835)	140 (5.512)	176 (6.929)	12 (0.472)	30 (1.181)	PT2	PT1 1/4	11X18 (0.433X0.708)	600 (159)	850 (225)	3.02 (32.5)	41 (90.3)
5Y40	1736 (68.346)	1490 (58.661)	1390 (54.724)	123 (4.843)	140 (5.512)	172 (6.772)	208 (8.189)	107 (4.213)	101 (3.976)	72 (2.835)	140 (5.512)	176 (6.929)	12 (0.472)	30 (1.181)	PT2	PT1 1/4	11X18 (0.433X0.708)	850 (225)	1000 (264)	3.94 (42.4)	52 (114.5)
6Y20	630 (24.803)	400 (15.748)	300 (11.811)	120 (4.724)	166 (6.535)	200 (7.874)	244 (9.606)	130 (5.118)	114 (4.488)	80 (3.150)	148 (5.827)	200 (7.874)	19 (0.748)	43 (1.693)	PT1	PT1	14X25 (0.551X0.984)	350 (93)	600 (159)	2.0 (21.5)	36 (79.3)
6Y40	1192 (46.929)	900 (35.433)	800 (31.496)	162 (6.377)	166 (6.535)	200 (7.874)	244 (9.606)	130 (5.118)	114 (4.488)	80 (3.150)	148 (5.827)	200 (7.874)	19 (0.748)	43 (1.693)	PT2	PT2	14X25 (0.551X0.984)	900 (238)	1050 (277)	3.9 (42.0)	54 (119.0)
6Y50	1356 (53.385)	1060 (41.732)	860 (33.858)	147 (5.787)	166 (6.535)	200 (7.874)	244 (9.606)	130 (5.118)	114 (4.488)	80 (3.150)	148 (5.827)	200 (7.874)	19 (0.748)	43 (1.693)	PT2	PT2	14X25 (0.551X0.984)	1000 (284)	1200 (317)	4.84 (52.1)	60 (132.0)
6Y60	1765 (69.488)	1450 (57.087)	1350 (53.150)	157 (6.181)	166 (6.535)	200 (7.874)	244 (9.606)	130 (5.118)	114 (4.488)	80 (3.150)	148 (5.827)	200 (7.874)	19 (0.748)	43 (1.693)	PT2	PT2	14X25 (0.551X0.984)	1200 (317)	1500 (396)	5.97 (64.3)	70 (154.0)
8Y70	1202 (47.323)	900 (35.433)	800 (31.496)	181 (7.126)	216 (8.504)	267 (10.512)	324 (12.756)	184 (7.244)	140 (5.512)	128 (5.039)	260 (10.236)	305 (12.008)	25 (0.984)	50 (1.969)	PT2	PT2	17X33 (0.669X1.299)	1300 (343)	1650 (436)	6.95 (74.8)	88 (194.0)
8Y80	1392 (54.803)	1030 (40.551)	930 (36.614)	181 (7.126)	216 (8.504)	267 (10.512)	324 (12.756)	184 (7.244)	140 (5.512)	128 (5.039)	260 (10.236)	305 (12.008)	25 (0.984)	50 (1.969)	PT2	PT2	17X33 (0.669X1.299)	1500 (396)	2000 (528)	7.83 (84.3)	98 (216.0)
8Y100	1802 (70.945)	1440 (56.893)	1320 (51.969)	181 (7.126)	216 (8.504)	267 (10.512)	324 (12.756)	184 (7.244)	140 (5.512)	128 (5.039)	260 (10.236)	305 (12.008)	25 (0.984)	50 (1.969)	PT2 1/2	PT2	17X33 (0.669X1.299)	2000 (528)	2500 (661)	10.32 (111)	115 (253.0)
10Y80	1405 (55.315)	1030 (40.551)	930 (36.614)	197 (7.756)	273 (10.748)	325 (12.795)	388 (12.276)	218 (8.583)	170 (6.693)	128 (5.039)	348 (13.701)	410 (16.142)	25 (0.984)	50 (1.969)	PT2	PT2	17X33 (0.669X1.299)	1600 (423)	2100 (555)	7.83 (84.3)	125 (275.0)
10Y100	1815 (71.457)	1440 (56.893)	1320 (51.969)	197 (7.756)	273 (10.748)	325 (12.795)	388 (12.276)	218 (8.583)	170 (6.693)	160 (6.299)	348 (13.701)	410 (16.142)	25 (0.984)	50 (1.969)	PT2 1/2	PT2	17X33 (0.669X1.299)	2100 (555)	2600 (687)	10.32 (111)	154 (340.0)
10Y145	1815 (71.457)	1440 (56.893)	1320 (51.969)	197 (7.756)	273 (10.748)	325 (12.795)	388 (12.276)	218 (8.583)	170 (6.693)	160 (6.299)	348 (13.701)	410 (16.142)	25 (0.984)	50 (1.969)	PT2 1/2	PT2	17X33 (0.669X1.299)	2800 (740)	3300 (872)	14.5 (156)	170 (374.0)
10Y200	2443 (96.181)	2000 (78.740)	1860 (73.228)	230 (9.055)	273 (10.748)	325 (12.795)	393 (15.472)	218 (8.583)	175 (6.890)	160 (6.299)	348 (13.701)	410 (16.142)	25 (0.984)	50 (1.969)	PT3	PT2	17X33 (0.669X1.299)	4000 (1057)	5000 (1321)	20.0 (215)	220 (485.0)

●規格修改，本公司不另行通知
●Specification is subjected to change without notice.

DIMENSIONS & SPECIFICATIONS:

HT
HH

Unit:mm/(in)



Model	A	B	C	D	E	F	J	G	H	K	L	M	N	S	U	V	W	Area m ² (ft ²)	Flow l/min(GPM)	Weight kg(lb)
HT-0905-B	590 (23.228)	408 (16.063)	88 (3.465)	270 (16.630)	150 (5.906)	80 (3.150)	25 (0.984)	63 (2.480)	80 (3.150)	22 (0.866)	10 (0.394)	3/4	3/4	89.5 (3.524)	30 (1.181)	2.3 (0.091)	115 (4.528)	0.41 (4.41)	60 (16)	10 (22)
HT-0908-B	880 (34.646)	720 (28.346)	78 (3.071)	500 (19.685)	190 (7.480)	80 (3.150)	25 (0.984)	63 (2.480)	80 (3.150)	22 (0.866)	10 (0.394)	3/4	3/4	89.5 (3.524)	30 (1.181)	2.3 (0.091)	115 (4.528)	0.7 (7.5)	100 (26)	14 (31)
HT-1405-B	600 (23.622)	398 (15.669)	100 (3.937)	270 (16.630)	162 (6.378)	140 (5.512)	32 (1.260)	90 (3.543)	110 (4.331)	28 (1.102)	12 (0.472)	1 1/4	1 1/4	140.8 (5.543)	40 (1.575)	3.2 (0.126)	176 (6.929)	1.1 (11.8)	150 (40)	20 (44)
HT-1408-B	890 (35.039)	710 (27.953)	85 (3.346)	500 (19.685)	202 (7.953)	140 (5.512)	32 (1.260)	90 (3.543)	110 (4.331)	28 (1.102)	12 (0.472)	1 1/4	1 1/4	140.8 (5.543)	40 (1.575)	3.2 (0.126)	176 (6.929)	1.9 (20.4)	250 (66)	26 (57)
HT-1412-B	1310 (51.575)	1110 (43.701)	100 (3.937)	700 (27.559)	303 (11.929)	140 (5.512)	32 (1.260)	90 (3.543)	110 (4.331)	28 (1.102)	12 (0.472)	1 1/2	1 1/4	140.8 (5.543)	40 (1.575)	3.2 (0.126)	176 (6.929)	2.9 (31.2)	350 (93)	37 (82)
HT-1712-B	1335 (52.559)	1060 (41.732)	138 (5.433)	700 (27.559)	310 (12.205)	145 (5.709)	32 (1.260)	115 (4.528)	125 (4.921)	32 (1.260)	12 (0.472)	2	1 1/4	166.5 (6.555)	40 (1.575)	3.2 (0.126)	200 (7.874)	4.6 (49.5)	600 (159)	48 (106)
HT-1716-B	1745 (68.701)	1510 (59.449)	118 (4.646)	850 (33.465)	460 (18.110)	145 (5.709)	32 (1.260)	115 (4.528)	125 (4.921)	32 (1.260)	12 (0.472)	2	1 1/4	166.5 (6.555)	40 (1.575)	3.2 (0.126)	200 (7.874)	6.5 (70.0)	840 (222)	59 (130)
HT-1722	2200	1850	160	1650	270	145	32	115	125	32	12	2	1 1/4	166.5	40	32	200	7.2	1000	72

Remarks:

- None: for fresh water, B: for sea water
- Dimensions of HH types are same as HT types' but internal tube quantities are different.