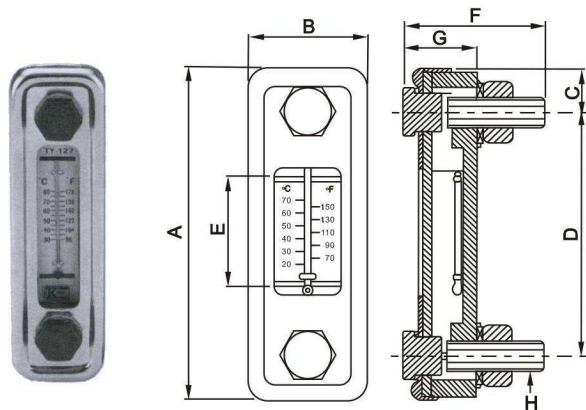


## OIL LEVEL INDICATORS WITH THERMOMETERS

### LS、KP、BS、LG

#### LS Oil Level Indicators With Thermometers



#### ■ FEATURE:

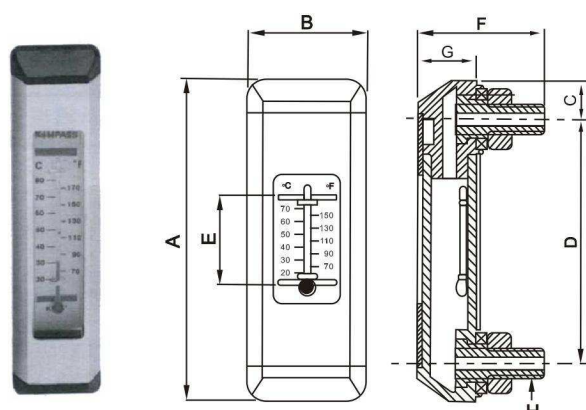
1. Chrome-plated iron case.
2. Acrylic lens.
3. Maximum operating temperature: 80°C(176°F)
4. It is suitable for lubrication oil, mineral oil and petroleum etc..

#### ■ HOW TO ORDER:

LS	-3"
Model	Pitch Of Mounting Bolts
Oil Level Indicators With Thermometers	3 : 3" 5 : 5"

Remarks: For detailed specifications, please refer to next page.

#### KP Oil Level Indicators With Thermometers



#### ■ FEATURE:

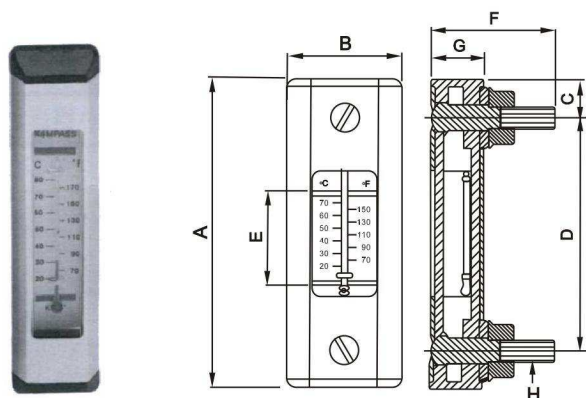
1. Aluminum case.
2. Acrylic lens.
3. Maximum operating temperature: 80°C(176°F)
4. It is suitable for lubrication oil, mineral oil and petroleum etc..

#### ■ HOW TO ORDER:

KP	-3"
Model	Pitch Of Mounting Bolts
Oil Level Indicators With Thermometers	3 : 3" 5 : 5"

Remarks: For detailed specifications, please refer to next page.

#### BS Oil Level Indicators With Thermometers



#### ■ FEATURE:

1. Polystyrene case.
2. Acrylic lens.
3. Maximum operating pressure: 1kgf/cm<sup>2</sup>(14psi).
4. Ambient temperature range: -30°C-80°C(-22°C-176°F).
5. This type is suitable for application of pressurized tank.

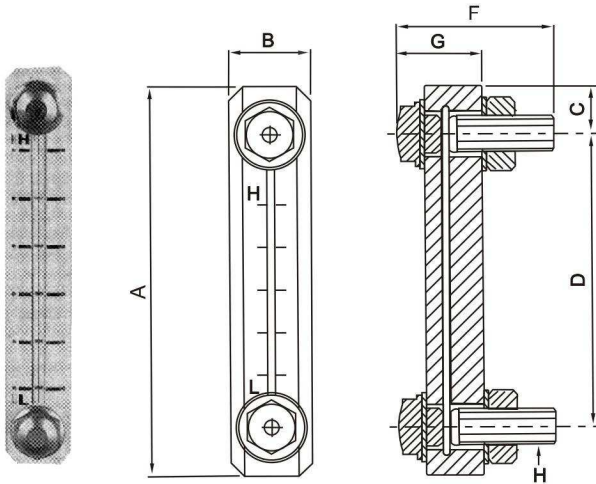
#### ■ HOW TO ORDER:

BS	-3"
Model	Pitch Of Mounting Bolts
Oil Level Indicators With Thermometers	3 : 3" 5 : 5"

Remarks: For detailed specifications, please refer to next page.

- 規格修改，本公司不另行通知
- Specification is subjected to change without notice.

## LG OIL LEVEL INDICATORS



### FEATURE:

1. Transparent acrylic body.
2. Maximum operating pressure: 1kgf/cm<sup>2</sup>(14psi), which is suitable for pressurized tank.
3. It is suitable for lubrication oil, mineral oil and petroleum etc..
4. Maximum operating temperature: 100°C(212°F).

### HOW TO ORDER:

LG	-3"
Model	Pitch Of Mounting Bolts
Lg Oil Level Indicators	3 : 3"
	4 : 4"
	5 : 5"
	200 : 200mm
	300 : 300mm
400 : 400mm	
500 : 500mm	

### Dimensions & Specifications:

Model	Dimension(mm)								Weight kg
	A	B	C	D	E	F	G	H	
LS-3"	118	42	20	76.2	58	41	18	M10 X P1.5	0.19
LS-5"	187	47	28	127	95	45	20	M12 X P1.75	0.33
KP-3"	101	36	13	76.2	42	38	17	3/8" - 16	0.09
KP-5"	151	36	13	127	91	38	18	3/8" - 16	0.12
BS-3"	104	36	18	76.2	40	38	20	M10 X P1.5	0.10
BS-5"	155	36	18	127	90	38	20	M10 X P1.5	0.14
LG-3"	106	25	15	76	-	43	25	M10 X P1.5	0.12
LG-4"	132	25	15	101.6	-	43	25	M10 X P1.5	0.14
LG-5"	157	25	15	127	-	43	25	M10 X P1.5	0.15
LG-200	225	26	12.5	200	-	54	32.5	M12 X P1.75	0.24
LG-300	325	26	12.5	300	-	54	32.5	M12 X P1.75	0.3
LG-400	425	26	12.5	400	-	54	32.5	M12 X P1.75	0.34
LG-500	525	26	12.5	500	-	54	32.5	M12 X P1.75	0.4