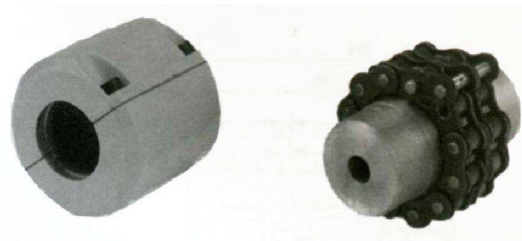


COUPLINGS

NM、OK Types



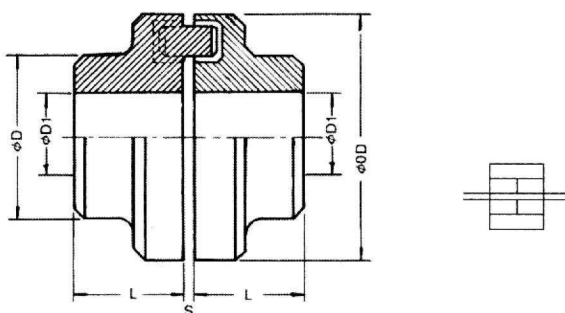
NM TYPE



OK TYPE

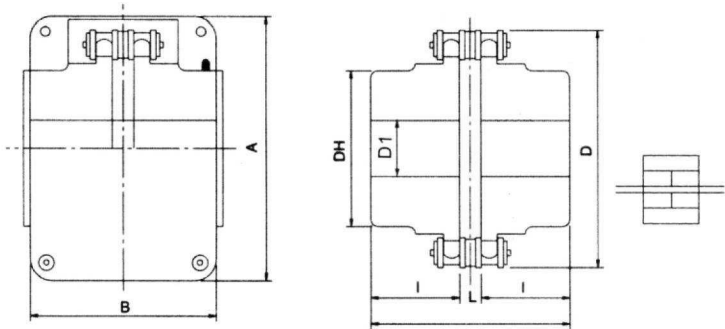
■ NM RUBBER COUPLINGS

NM-**



Remarks: ØD1 of left dimensions are Shaft Diameter Ranges.(For details, please refer to below.)

Model	Motor output HP(kw)	Torque		Max. Input Speed (rpm)	Shaft Dia. Range (D1)mm(inch)		Dimensions mm(inch)				Weight kg(lb)
		Nominate kg-M(lb-ft)	Max. kg-M(lb-ft)		Min.	Max.	D	OD	L	S	
NM-50	0.5 (0.37)	1.3 (9.4)	2.3 (16.6)	13,500	7 (0.275)	19 (0.748)	33 (1.299)	50 (1.969)	25 (0.984)	20±0.5 (0.079±0.020)	0.48 (1.06)
NM-67	1 (0.75)	2.2 (15.9)	4 (28.9)	10,000	9 (0.354)	28 (1.102)	46 (1.811)	67 (2.638)	30 (1.181)	2.5±0.5 (0.098±0.020)	1.02 (2.25)
NM-82	2-3 (1.5-2.2)	5.0 (36.2)	9 (65)	8,000	10 (0.393)	32 (1.259)	53 (2.087)	82 (3.228)	40 (1.575)	3.0±1.0 (0.118±0.039)	1.88 (4.14)
NM-97	5-7.5 (3.8-5.6)	10.5 (76)	19 (137)	7,000	12 (0.472)	42 (1.653)	69 (2.717)	97 (3.819)	50 (1.969)	3.0±1.0 (0.118±0.039)	3.54 (7.80)
NM-112	10-15 (7.5-11.2)	16.7 (121)	30 (217)	6,000	14 (0.551)	48 (1.889)	79 (3.110)	112 (4.409)	60 (2.362)	3.5±1.0 (0.138±0.039)	5.40 (11.90)
NM-128	20 (15)	26.7 (193)	48 (347)	5,000	18 (0.708)	55 (2.165)	90 (3.543)	128 (5.039)	70 (2.756)	3.5±1.0 (0.138±0.039)	8.10 (17.84)
NM-148	30 (22.5)	41.7 (302)	75 (542)	4,500	22 (0.866)	65 (2.559)	107 (4.213)	148 (5.827)	80 (3.150)	3.5±1.0 (0.138±0.039)	13.50 (29.74)
NM-168	50 (37.3)	69.5 (503)	125 (904)	4,000	28 (1.102)	75 (2.952)	126 (4.961)	170 (6.693)	90 (3.543)	3.5±1.5 (0.138±0.059)	19.30 (42.50)
NM-194	75 (56)	112.0 (810)	200 (1446)	3,500	32 (1.259)	85 (3.346)	140 (5.512)	194 (7.638)	100 (3.937)	3.5±1.5 (0.138±0.059)	26.30 (57.93)
NM-214	100 (74.6)	167.0 (1208)	300 (2170)	3,000	45 (1.771)	95 (3.740)	157 (6.181)	214 (8.425)	110 (4.331)	4.0±2.0 (0.157±0.079)	35.70 (78.63)
NM-240	125 (93.2)	267.0 (1931)	480 (3471)	2,750	60 (2.362)	110 (4.330)	179 (7.047)	240 (9.449)	120 (4.724)	4.0±2.0 (0.157±0.079)	46.70 (102.86)
NM-265	150 (110)	417.0 (3016)	750 (5424)	2,500	70 (2.755)	120 (4.724)	198 (7.795)	265 (10.433)	140 (5.512)	5.5±2.0 (0.217±0.079)	66.30 (146.00)

OK CHAIN COUPLINGS
OK-※※※※

DIMENSIONS & SPECIFICATIONS:

Model	Motor Output HP(kw)	Shaft Dia. Range mm(inch)		Dimensions mm(inch)						Weight kg(lb)	
		Min.	Max.	L	l	DH	D	A	B	Body	Housing
OK-4012	1 (0.75)	11 (0.433)	22 (0.866)	80 (3.149)	36 (1.417)	35 (1.377)	61 (2.401)	75 (2.952)	75 (2.952)	0.8 (1.8)	0.3 (0.7)
OK-4016	2-3 (1.5-2.2)	15 (0.590)	30 (1.181)	80 (3.149)	36 (1.417)	50 (1.968)	77 (3.031)	92 (3.622)	75 (2.952)	1.4 (3.1)	0.4 (0.9)
OK-5016	5 (3.8)	15 (0.590)	40 (1.574)	100 (3.937)	45 (1.771)	60 (2.362)	96 (3.779)	111 (4.370)	85 (3.346)	2.6 (5.7)	0.6 (1.3)
OK-5018	7.5-10 (5.6-7.5)	19 (0.748)	45 (1.771)	100 (3.937)	45 (1.771)	70 (2.755)	106 (4.173)	122 (4.803)	85 (3.346)	3.5 (7.7)	0.7 (1.5)
OK-6018	15-20 (11.2-15)	22 (0.866)	55 (2.165)	120 (4.724)	54 (2.125)	85 (3.346)	128 (5.039)	142 (5.590)	106 (4.173)	6.2 (13.7)	1.0 (2.2)
OK-6022	30 (22.5)	25 (0.984)	75 (2.952)	120 (4.724)	54 (2.125)	110 (4.331)	152 (5.984)	167 (6.574)	106 (4.173)	9.8 (21.6)	1.2 (2.6)
OK-8018	40 (30)	30 (1.181)	78 (3.070)	150 (5.905)	67 (2.637)	115 (4.527)	170 (6.692)	186 (7.322)	130 (5.118)	13.9 (30.6)	2.3 (5.1)
OK-8022	35 (37.3)	30 (1.181)	95 (3.740)	150 (5.905)	67 (2.637)	140 (5.511)	202 (7.952)	220 (8.661)	130 (5.118)	20.2 (44.5)	2.4 (5.3)
OK-10020	75 (56)	35 (1.377)	110 (4.331)	201 (7.913)	91 (3.582)	160 (6.299)	228 (8.976)	248 (9.763)	152 (5.984)	34 (75)	3.2 (7.1)
OK-12018	100 (74.6)	48 (1.889)	120 (4.724)	261 (10.275)	119 (4.685)	170 (6.692)	252 (9.921)	305 (12.007)	180 (7.086)	51 (112)	5.6 (12.3)
OK-12022	125 (93.2)	58 (2.283)	150 (5.905)	261 (10.275)	119 (4.685)	210 (8.267)	300 (11.811)	355 (13.976)	180 (7.086)	66 (145)	7.1 (15.6)