

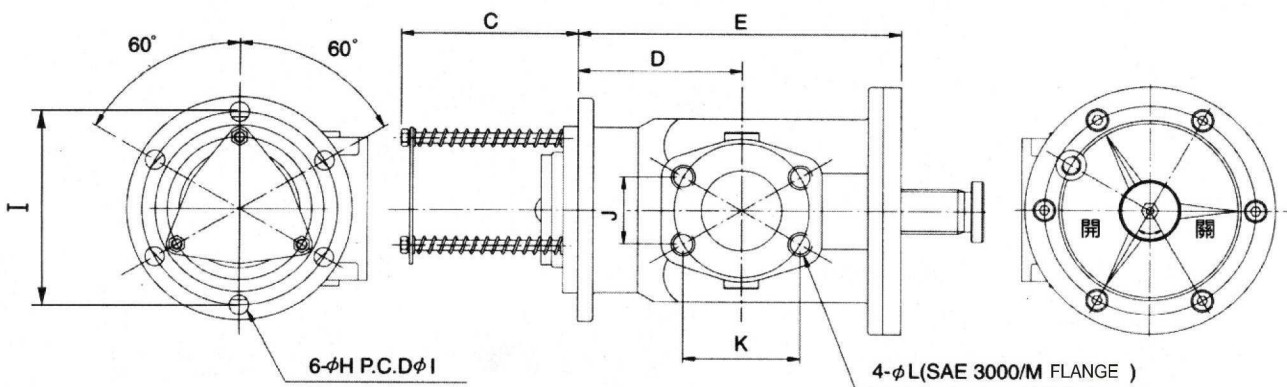
SUCTION & RETURN FILTERS

FSS TYPE

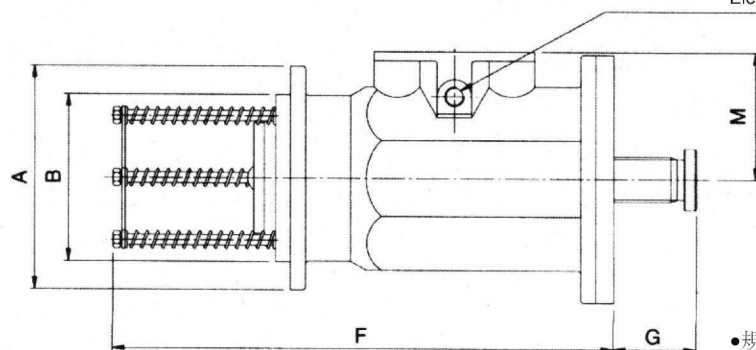


DIMENSIONS & SPECIFICATIONS:

Model	Port Size	Flow /min	Filtration (μ)	A	B	C	D	E	F	G	H	I	J	K	L	M	BOLT SIZE	Weight kg
FSS-10	1 1/4"	250	100 Mesh	150	112	120	110	215	335	45	9	130	43	78	M12	87	M8 X 25	6.5
FSS-12	1 1/2"	300																6.4
FSS-1602	2"	320																6.3
FSS-16	2"	400																10.6
FSS-20	2 1/2"	550																10.2
FSS-24	3"	700																9.6
FSS-28	3 1/2"	760																13.8
FSS-32	4"	820																13.0
FSS-10B	1 1/4"	160	10 μ 25 μ	150	112	120	110	215	335	45	9	130	43	78	M12	87	M8 X 25	6.5
FSS-12B	1 1/2"	210																6.4
FSS-1602B	2"	250																6.3
FSS-16B	2"	300																10.6
FSS-20B	2 1/2"	400																10.2
FSS-24B	3"	520																9.6
FSS-28B	3 1/2"	570																13.8
FSS-32B	4"	630																13.0



2-PT1/8" Ports
(For Visual Indicator or
Electrical Micron Switch)



●規格修改，本公司不另行通知
●Specification is subjected to change without notice.