

RETURN FILTERS

FPC TYPE

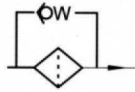


06P · 08P

06T · 08T

12PR

12P

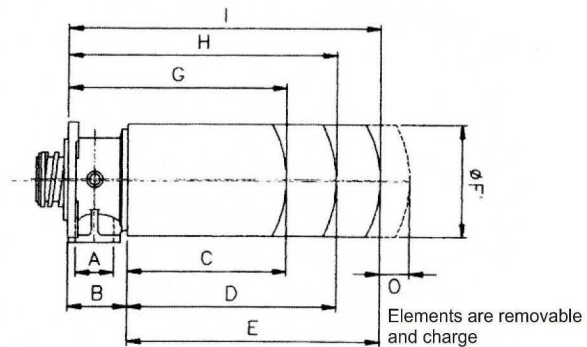
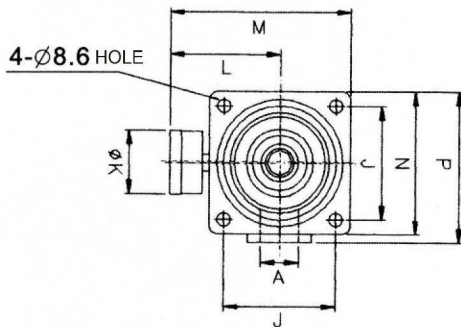


FEATURE:

1. Aluminum alloy cover, plating material appearance.
Optional paper and stainless steel material mesh elements.
2. Maximum operating pressure: 7kgf/cm²(1000psi)
3. Ambient temperature range: -30~90°C
4. Maximum flow: 378 l/min.
5. There are 2 pressure testing port available on cover.
Visual indicator can be installed on it (Basic equipment)
or optional micron switch to realize contaminative conditions
in filters.

DIMENSIONS:

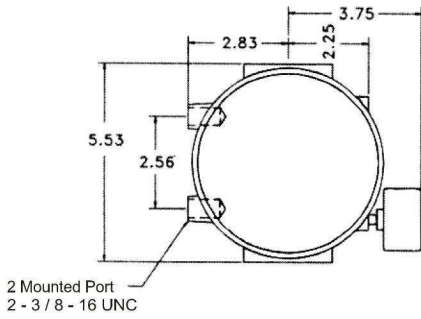
FPC-06.08T(P)



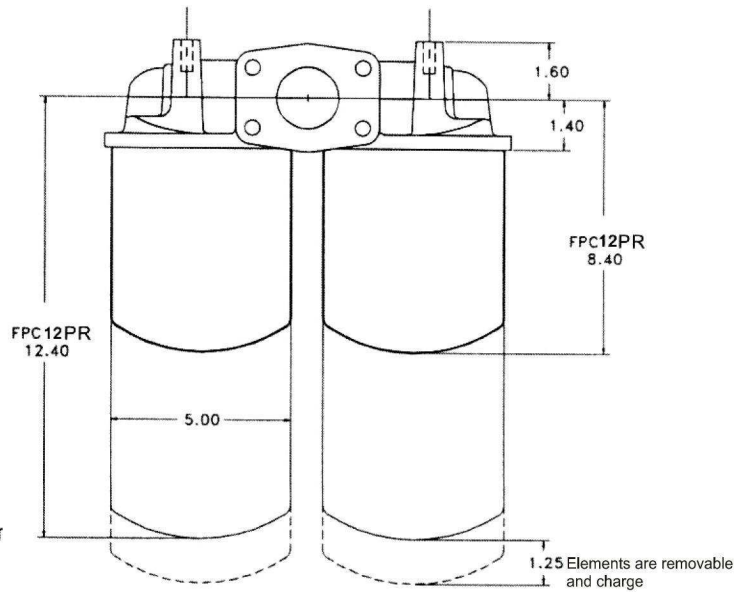
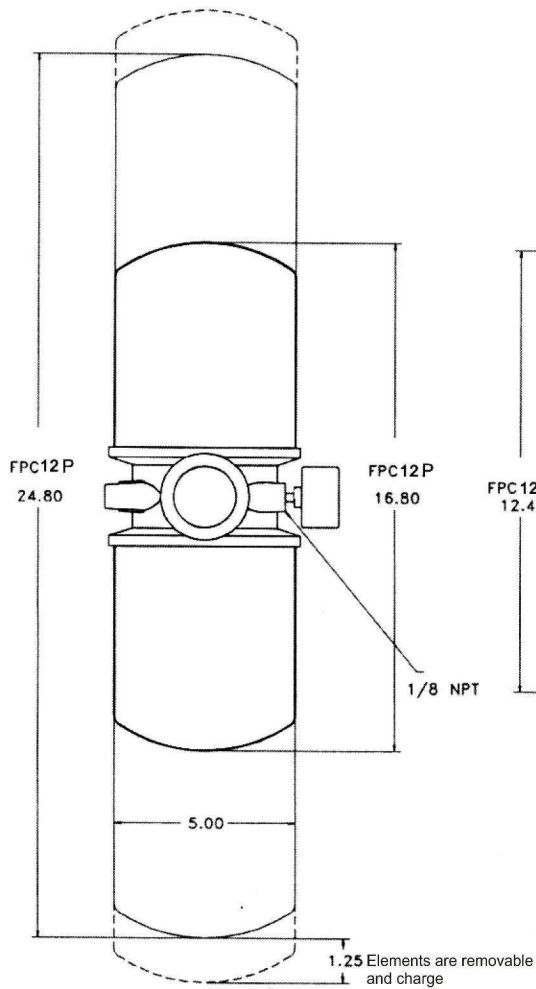
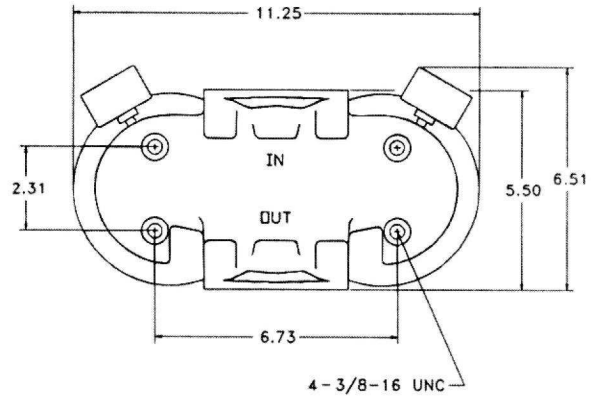
MODEL	A PT	B m/m	C m/m	D m/m	E m/m	F m/m	G m/m	H m/m	I m/m	J m/m	K m/m	L m/m	M m/m	N m/m	O m/m	P m/m	Q m/m
FPC-06P	3/4"	53	135	178	215	93	188	231	268	38	38	80	105	93	25	-	-
FPC-08P	1"	53	135	178	215	93	188	231	268	38	38	80	105	93	25	-	-
FPC-10P	1-1/4"	65	167	230	286	127	232	295	351	47	38	136	150	136	45	37	18.5
FPC-06T	3/4"	49	135	178	215	93	184	227	264	71	38	92	135	89	-	95	-
FPC-08T	1"	49	135	178	215	93	184	227	264	714	38	92	135	89	-	95	-
FPC-12P	1-1/2"	70	167	230	286	127	404	530	642	65	38	136	160	142	45	-	-
FPC-12PR	1-1/2"	77	167	230	286	127	244	307	363	61	38	284	165	146	45	171	-

■ DIMENSIONS: (UNIT : LNCH)

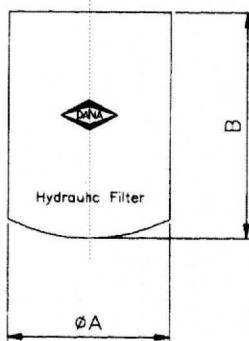
FPC - 12P



FPC - 12PR



ELEMENT FOR RETURN FILTER
FPE SERIES

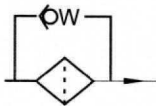


DIMENSIONS

MODEL	COORDINATE PORT SIZE	A	B	FILTRATION
FPE-30	06 08	93	135	10u (Paper) 25u (Paper) 100M (Steel)
FPE-40	3/4" 1"		178	
FPE-50	10 12	127	174	10u (Paper) 25u (Paper) 100M (Steel)
FPE-70	1 1/4" 1 1/2"		286	

TRANSPARENT SPIN - ON RETURN FILTERS

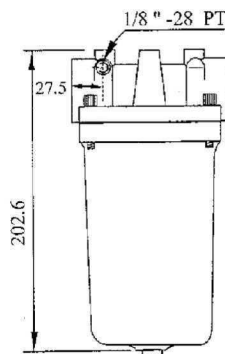
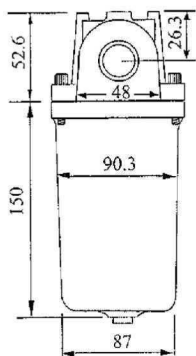
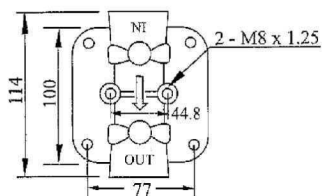
SOT - 06,08



FEATURE:

1. Aluminum alloy cover, optional paper and stainless steel material mesh elements. It is easy to see and realize fluid contamination through transparent shell.
2. Maximum operating pressure: 7 kgf/cm²(100psi).
3. Ambient temperature range: -30 -80°C(-22 -176°F)
4. Maximum Flow: 150 l/min (40GPM) (stainless steel element)
5. There is 1 pressure testing port available on cover. Visual indicator can be installed on it to realize contaminative conditions in filters.
6. Filtration: 10 -100 μ .

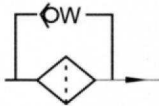
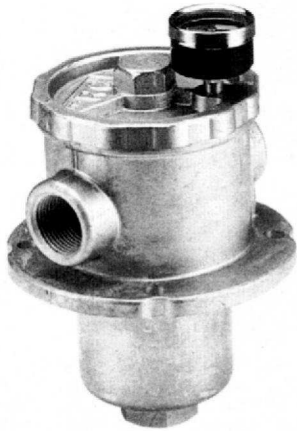
DIMENSIONS:



Model No.	Thread Connection	Flow l/min	Pressure (bar)	Weight (Kgs)
SOT-06S	3/4" PT	70	10	1.14
SOT-06P	3/4" PT	70		
SOT-08S	1" PT	90		
SOT-08P	1" PT	90		

TANK - TOP RETURN FILTERS

ERC - 06,08

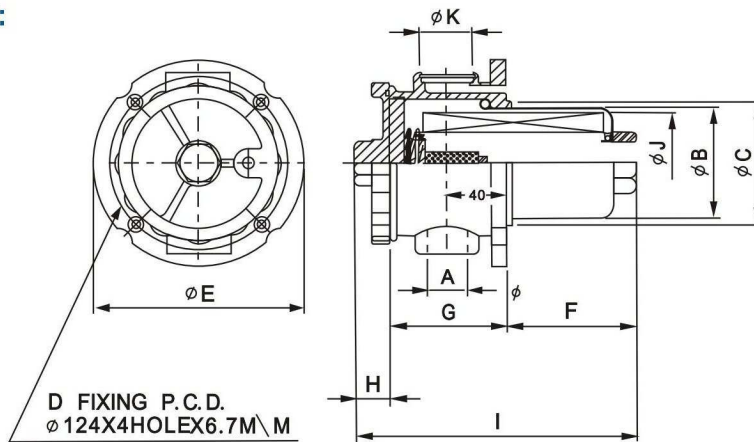


FEATURE:

1. Aluminum alloy cover, optional paper and stainless steel material mesh elements...
2. Maximum operating pressure: 7 kgf/cm²(100psi).
3. Ambient temperature range: -30 -100°C(-22°F -212°F)
4. Maximum Flow: 150 l/min (40GPM) (stainless steel element)
5. There is 1 pressure testing port available on cover. Visual indicator can be installed on it to realize contaminative condition in filters.
6. Filtration: 10 -100 μ .

DIMENSIONS:

ERC-06,08



Model	A PT	B m/m	C m/m	D m/m	E m/m	F m/m	G m/m	H m/m	I m/m	J m/m	K m/m	Flow d/min	Filtration μ	Max. Pressure Mpa	Weight kg
ERC-06P	3/4"	80	88	124	147	90	82	24	196	70	36	70	10-25 μ	2.0	1.8
ERC-08P	1"	80	88	124	147	90	82	24	196	70	36	70			
ERC-06S	3/4"	80	88	124	147	90	82	24	196	70	36	70	75-150 μ	2.0	1.8
ERC-08S	1"	80	88	124	147	90	82	24	196	70	36	70			