

SUCTION STRAINERS

SFN STAINLESS STEEL WIRE TYPE(150 MESH)

SFW STAINLESS STEEL MESH TYPE(120 MESH)

MF DEEP-DRAWN STAINLESS STEEL MESH TYPE(100 MESH)



SFW

SFN

MF



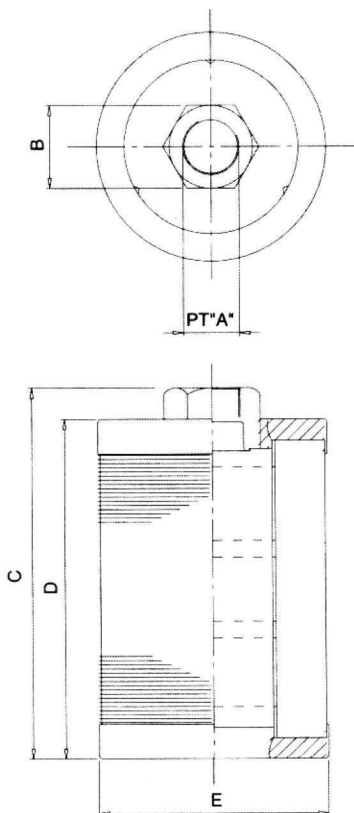
FEATURE:

1. Installed to suction lines of pumps to prevent pumps or systems from damage by sucking pollutants from fluid, and to extend their using life.
2. Variety of options as required: Flow range: 12 l/min (3.2GPM)-1000 l/min (265GPM); Filtration: 100, 120, 150mesh (standard types).
3. Max. Operating temperature: 90°C(194°F)
4. They can be applied to mineral oil or petroleum.
5. Apart from standard products, customized specifications and filtration are also available.

SFN STAINLESS STEEL WIRE TYPE

SFN - ※※

Unit:mm/(in)



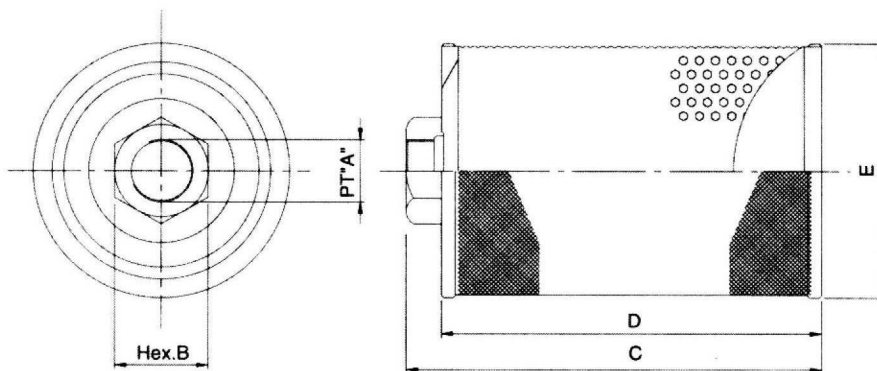
DIMENSIONS & SPECIFICATIONS

Model	Flow l/min (GPM)	Weight kg (lb)	Filtration (Mesh)	Dimensions mm(inch)				
				A	B	C	D	E
SFN-04	35 (9.3)	0.24 (0.53)	150	1/2"	30 (1.181)	167 (6.575)	156 (6.142)	61 (4.402)
SFN-06	46 (12.2)	0.26 (0.57)		3/4"	36 (1.417)	171 (6.732)	156 (6.142)	61 (4.402)
SFN-08	90 (23.8)	0.45 (1)		1"	46 (1.811)	208 (8.189)	193 (7.598)	82 (3.228)
SFN-10	150 (39.6)	0.73 (1.6)		1 1/4"	54 (2.126)	227 (8.937)	213 (8.386)	102 (4.016)
SFN-12	205 (54.2)	0.97 (2.14)		1 1/2"	65 (2.559)	246 (9.685)	232 (9.134)	120 (4.724)
SFN-16	320 (84.5)	1.24 (2.73)		2"	75 (2.953)	331 (13.031)	314 (12.362)	120 (4.724)
SFN-20	550 (145)	2.50 (5.5)		2 1/2"	90 (3.543)	439 (17.283)	417 (16.417)	146 (5.748)
SFN-24	600 (158.5)	2.55 (5.6)		3"	105 (4.134)	439 (17.283)	417 (16.417)	146 (5.748)

SFW STAINLESS STEEL MESH TYPE

SFW-**

Unit:mm/(in)



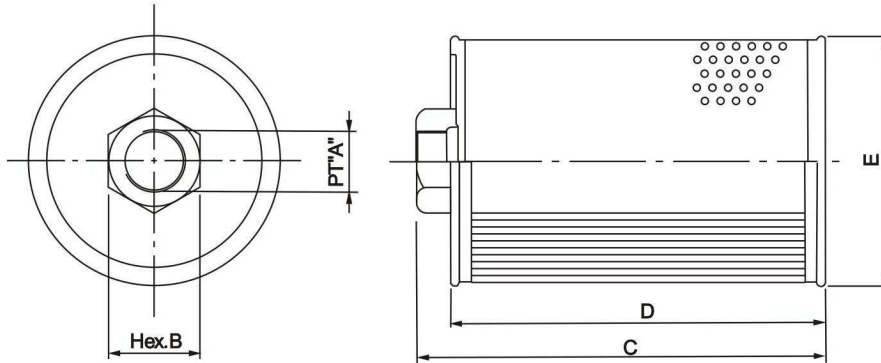
■ DIMENSIONS & SPECIFICATIONS

Model	FLOW l/min	FILTRATION (MESH)	WEIGHT kg	A	B	C	D	E
SFW-02A	12	120	0.05	1/4"	22	63	50	43
SFW-02B	14		0.07	1/4"	22	112	100	43
SFW-02C	20		0.10	1/4"	22	112	100	60
SFW-03A	15		0.05	3/8"	22	63	50	43
SFW-03B	17		0.07	3/8"	22	112	100	43
SFW-03C	25		0.11	3/8"	22	112	100	60
SFW-04B	30		0.12	1/2"	30	112	100	60
SFW-04C	33		0.18	1/2"	30	161	145	67
SFW-06	50		0.19	3/4"	36	161	145	67
SFW-08	100		0.33	1"	46	210	190	87
SFW-10	180		0.46	1 1/4"	55	225	203	107
SFW-12	246		0.73	1 1/2"	65	253	232	127
SFW-16	384		0.88	2"	75	330	307	127
SFW-20	700		1.19	2 1/2"	90	370	348	160
SFW-24	800		1.40	3"	105	460	435	160
SFW-32	1000		3.09	4"	145	458	443	210

MF DEEP-DRAWN STAINLESS STEEL MESH TYPE

MF-※※

Unit:mm/(in)



■ DIMENSIONS & SPECIFICATIONS

Model	FLOW d/min	FILTRATION MESH	WEIGHT kg	A	B	C	D	E
MF-02	15	100	0.09	1/4"	22	60	50	60
MF-03	17		0.09	3/8"	22	60	50	60
MF-04B	33		0.12	1/2"	30	112	100	60
MF-06	55		0.14	3/4"	36	145	130	60
MF-08	110		0.19	1"	46	162	145	67
MF-10	210		0.29	1 1/4"	55	194	176	73
MF-12	285		0.40	1 1/2"	65	209	191	87
MF-16	395		0.57	2"	75	224	203	107
MF-20	750		1.14	2 1/2"	90	370	348	160
MF-24	800		1.18	3"	105	370	348	160
MF-32	1000		2.95	4"	147	365	350	210