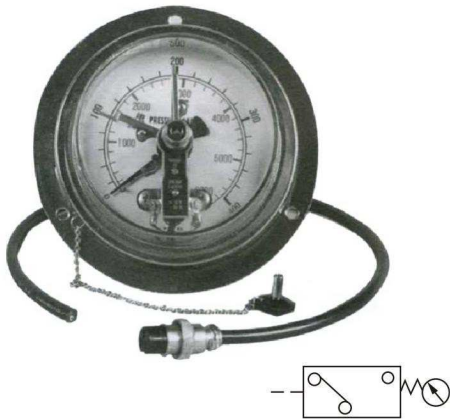


## PRESSURE GAUGES WITH ELECTRIC CONTACTS

### EAT、EDT TYPES

- 規格修改，本公司不另行通知
- Specification is subjected to change without notice.



#### FEATURE:

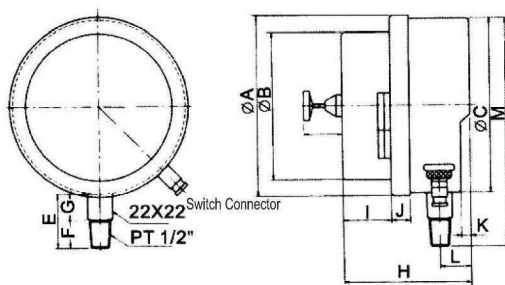
1. Pressure gauge incorporates combinations of pressure switch, whose pointers on dial can preset as single or multiple limit pressures to protect systems from damage by over high pressure.
2. While pressure fluctuating strongly, magnetic contacts can prevent this switch from damage caused by continuously switching.
3. Excellent  $\pm 1.5\%$  F.S. Accuracy is much better than normal pressure switches.
4. The designs of water-proof, shock-resistant and completely sealed cases, and internal movements and bourdon tubes made of special materials, result in long-lasting accurate operations.
5. This is suitable for non-corrosive fluids, like as oil, water or air etc..

#### SPECIFICATIONS:

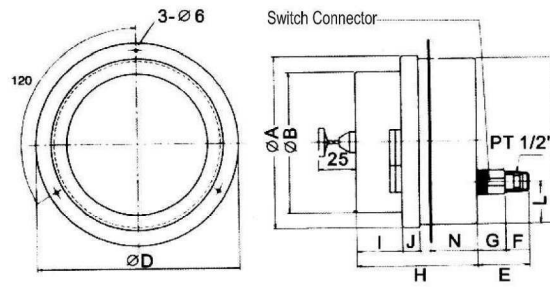
1. Case: Stainless steel AISI 304.
2. Bourdon Tubes: Stainless steel AISI 316.
3. Movement: Stainless steel AISI 304.
4. Connector: 1/4", 1/2" with PT male thread.
5. Terminal Types: Normal type (or multi-functional terminal box)
6. Accuracy:  $\pm 1.5\%$  F.S. (ANSI-B40.1 1985 standard)
7. Scale Units: kgf/cm<sup>2</sup> - psi combined.
8. Operating Voltage: Max. 250V
9. Inrush & Breaking Current: Max. 1.0 Ampere
10. Rated Current: 0.6 Ampere
11. Maximum Operating Temperature: 90°C (194°F).

#### DIMENSIONS:

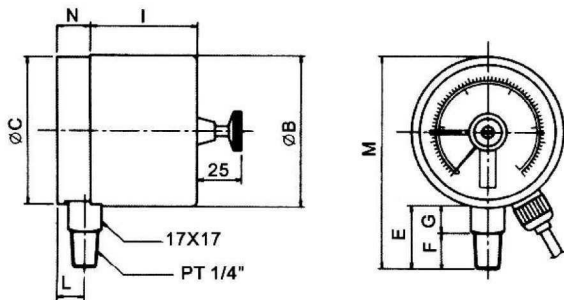
EAT-100-\*\*\*-A1 Vertical mounting



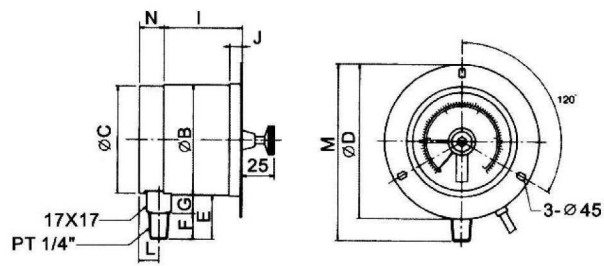
EDT-100-\*\*\*-B2 Horizontal eccentric mounting with front flange



EAT-75-\*\*\*-A1 Vertical mounting



EAT-75-\*\*\*-A2 Vertical mounting with front flange



Model	A	B	C	D	E	F	G	H	I	J	K	L	M	N
EAT-100-***-A1	116 (4.566)	95 (3.740)	101.5 (3.996)	-	40 (1.574)	15 (0.590)	25 (0.984)	82 (3.228)	31 (1.220)	12 (0.472)	6 (0.236)	20 (0.787)	141 (5.551)	-
EDT-100-***-B2	116 (4.566)	95 (3.740)	101.5 (3.996)	138 (5.433)	39 (1.535)	14 (0.551)	25 (0.984)	82 (3.228)	31 (1.220)	12 (0.472)	-	28 (1.102)	-	32 (1.259)
EAT-75-***-A1	-	77 (3.031)	75 (2.952)	-	27 (1.062)	13 (0.511)	14 (0.551)	-	54 (2.125)	-	-	13.5 (0.531)	110 (4.330)	16 (0.629)
EAT-75-***-A2	-	77 (3.031)	75 (2.952)	108 (4.251)	27 (1.062)	13 (0.511)	14 (0.551)	-	54 (2.125)	9 (0.354)	-	13.5 (0.531)	125.5 (4.940)	16 (0.629)