

G PRESSURE SWITCHES



JPS-02



JCS-02



JCD-02

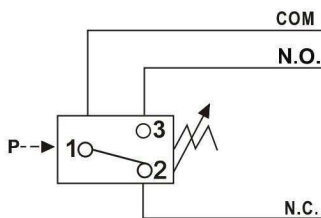


MJCS-02

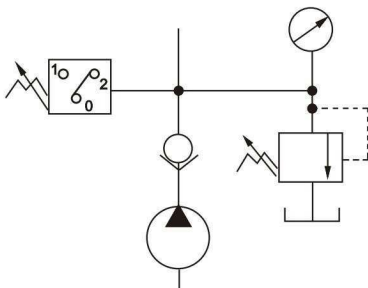


MJCS-03

• **Graphic Symbol:**



• **Circuit Application Samples:**



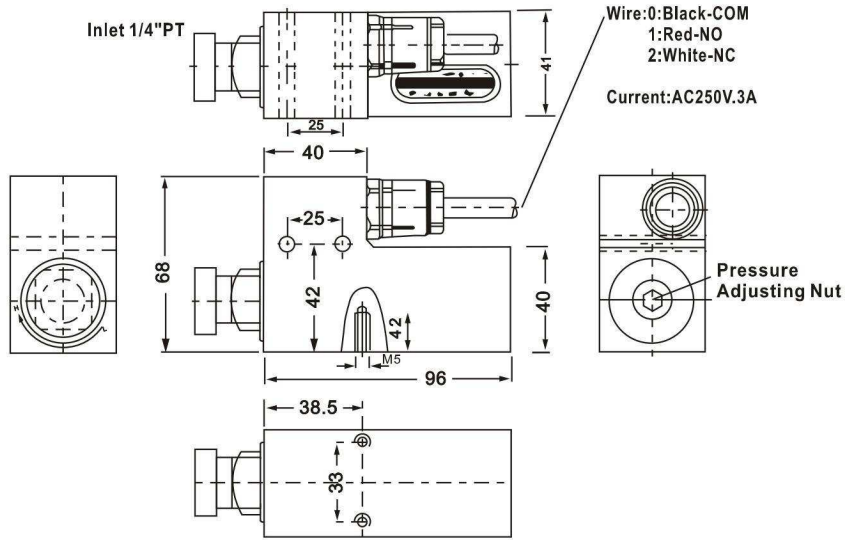
■ **FEATURE:**

Pressure switches accept pressure signals and, at preselected pressure, mechanically open or close internal sensitive micron switches. They may respond to rising or falling pressure from systems to protect machinery or work in progress by sounding alarms, turning electric motors off or switching directions of solenoid directional control valves if pressure become too high or too low.

■ DIMENSIONS:

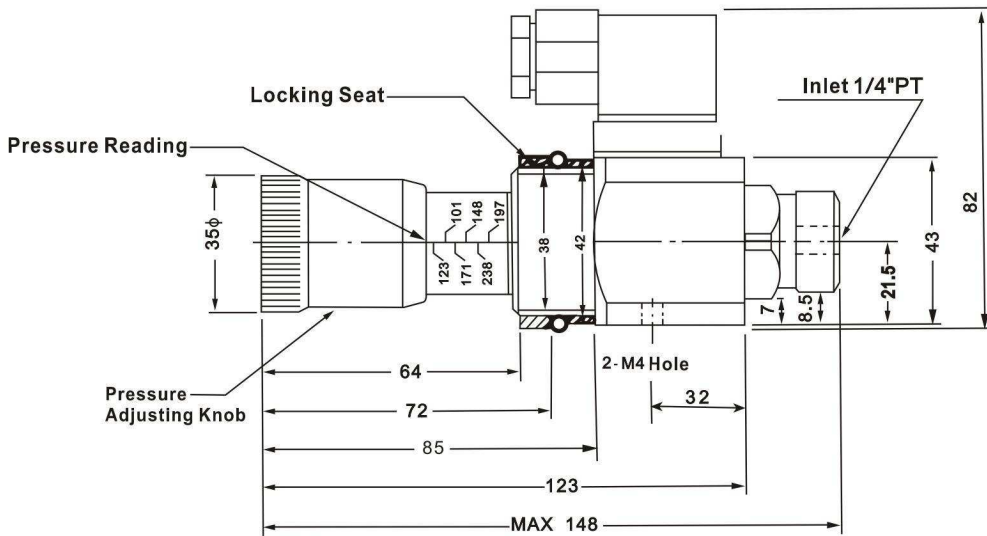
JPS-02

Unit:mm



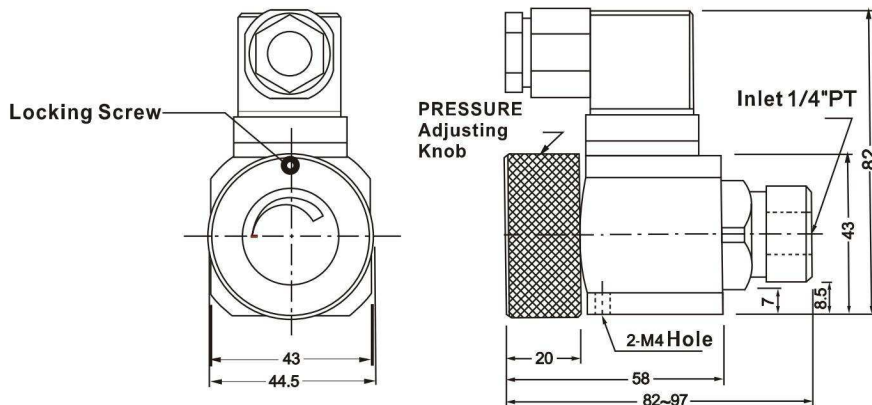
JCS-02

Unit:mm



JCD-02

Unit:mm

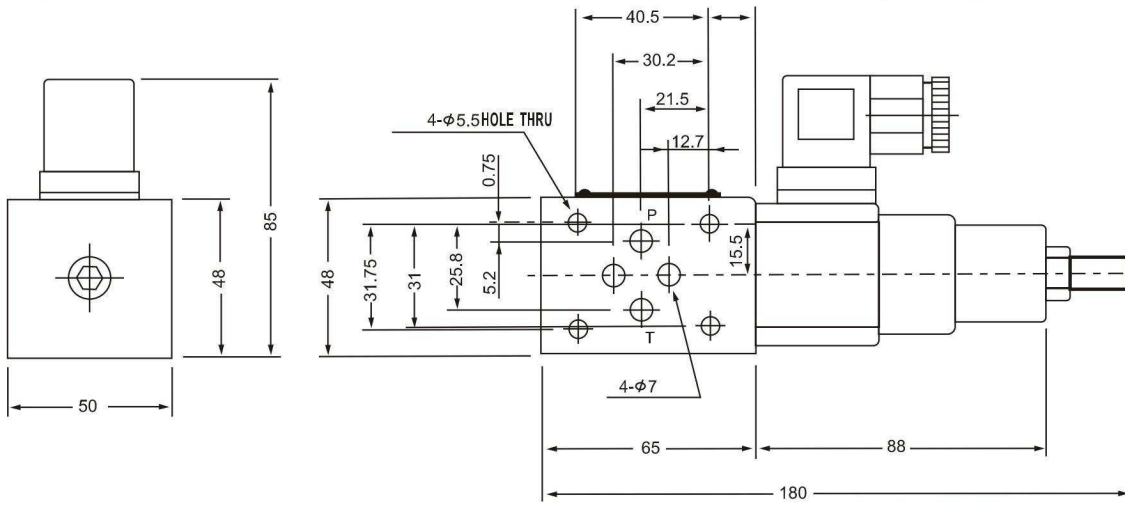


DIMENSIONS:

MJCS-02※

Mounting Surface : ISO 4401 standard

Unit:mm



MJCS-03※

Mounting Surface : ISO 4401 standard

Unit:mm

