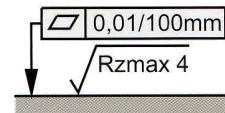
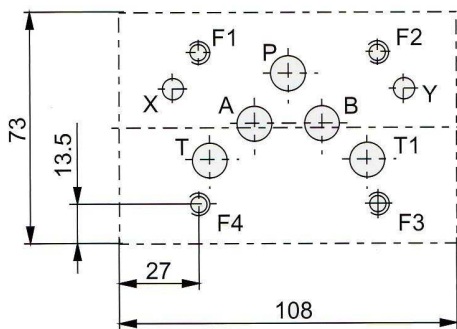
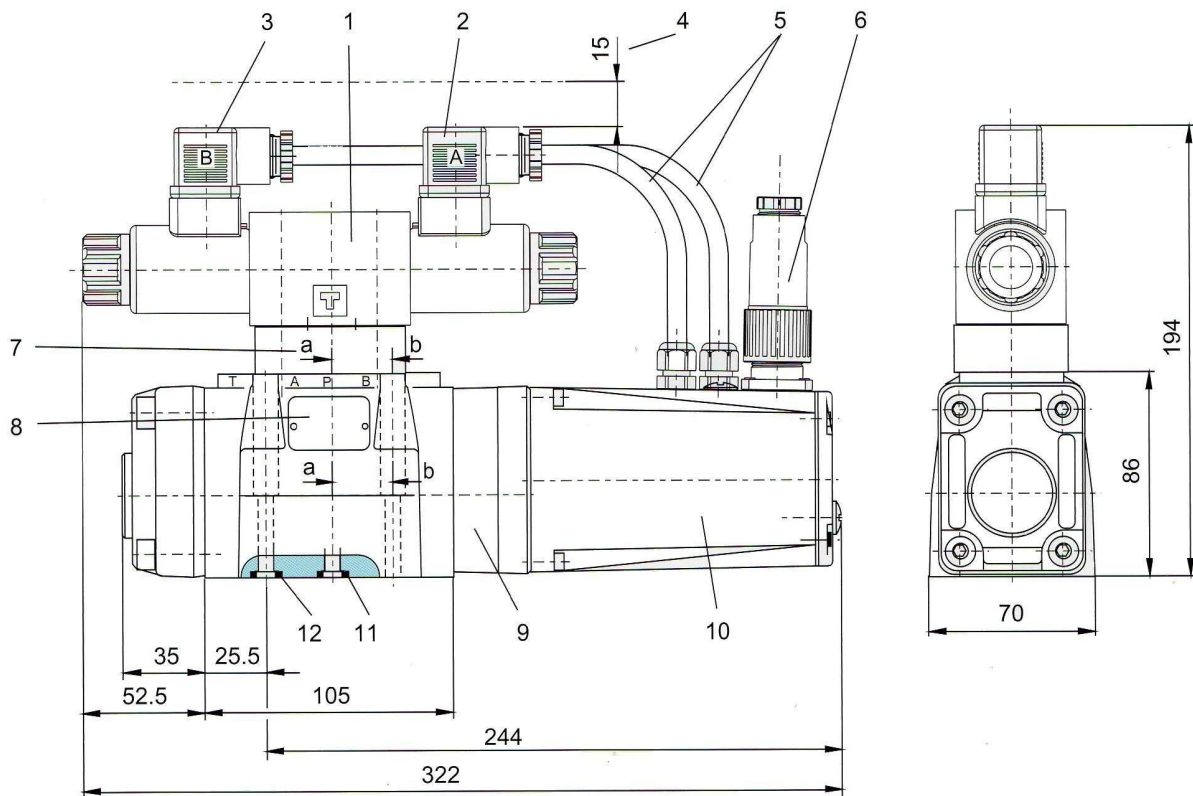


# DPGKE DIMENSION

NS 10 Unit dimensions (nominal dimensions in mm)



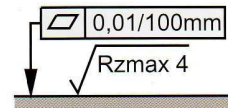
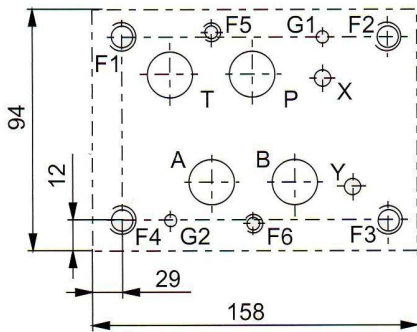
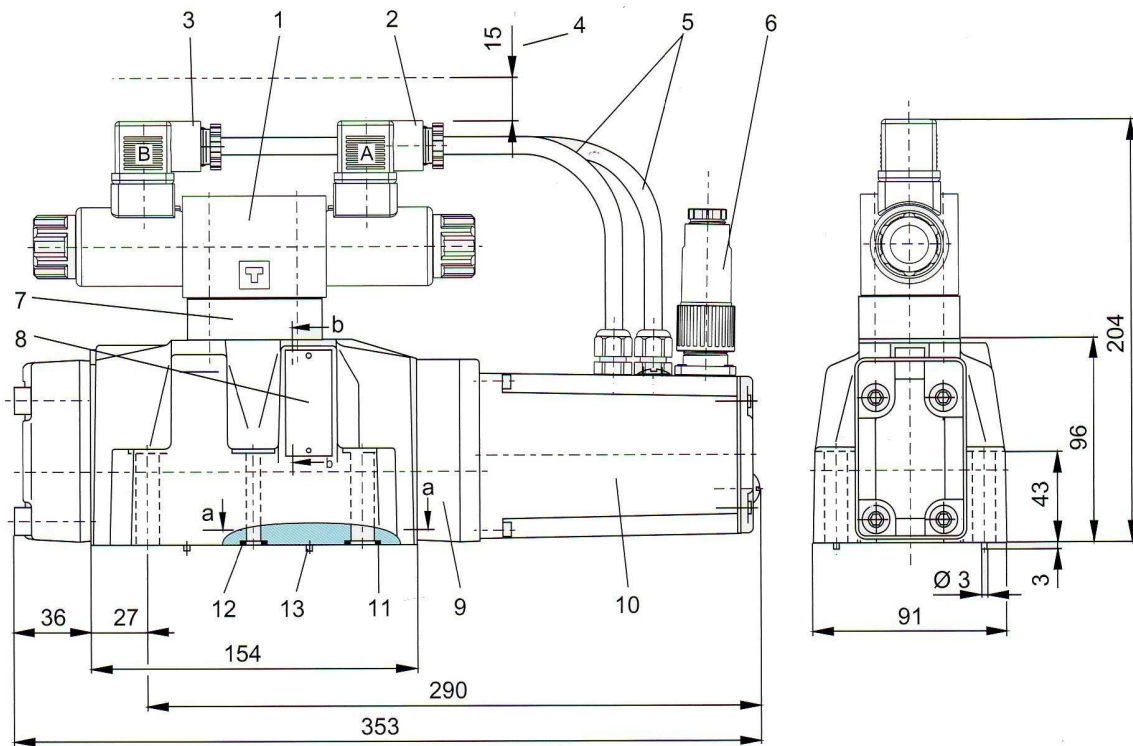
Required surface finish of the mating piece

For sectional drawing see page 21

- 1 Pilot control valve
- 2 Plug-in connector "A", colour grey
- 3 Plug-in connector "B", colour black
- 4 Space required for the connection cable and to remove the plug-in connector
- 5 Cabling
- 6 Plug-in connector, separate order, see page 7
- 7 Pressure reducing valve
- 8 Name plate
- 9 Main valve
- 10 Integrated control electronics
- 11 Identical seal rings for ports A, B, P, T
- 12 Identical seal rings for ports X, Y

●規格修改，本公司不另行通知  
 ●Specification is subjected to change without notice.

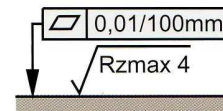
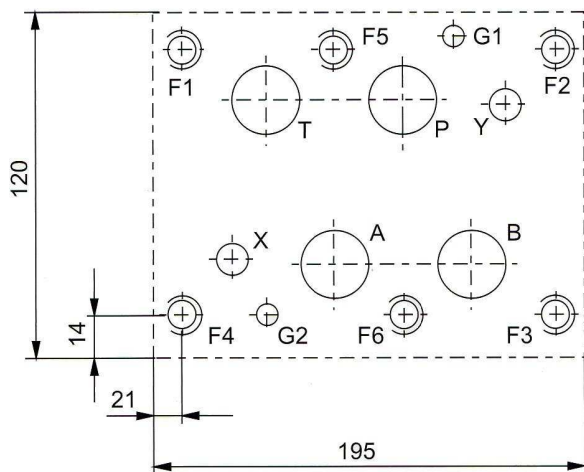
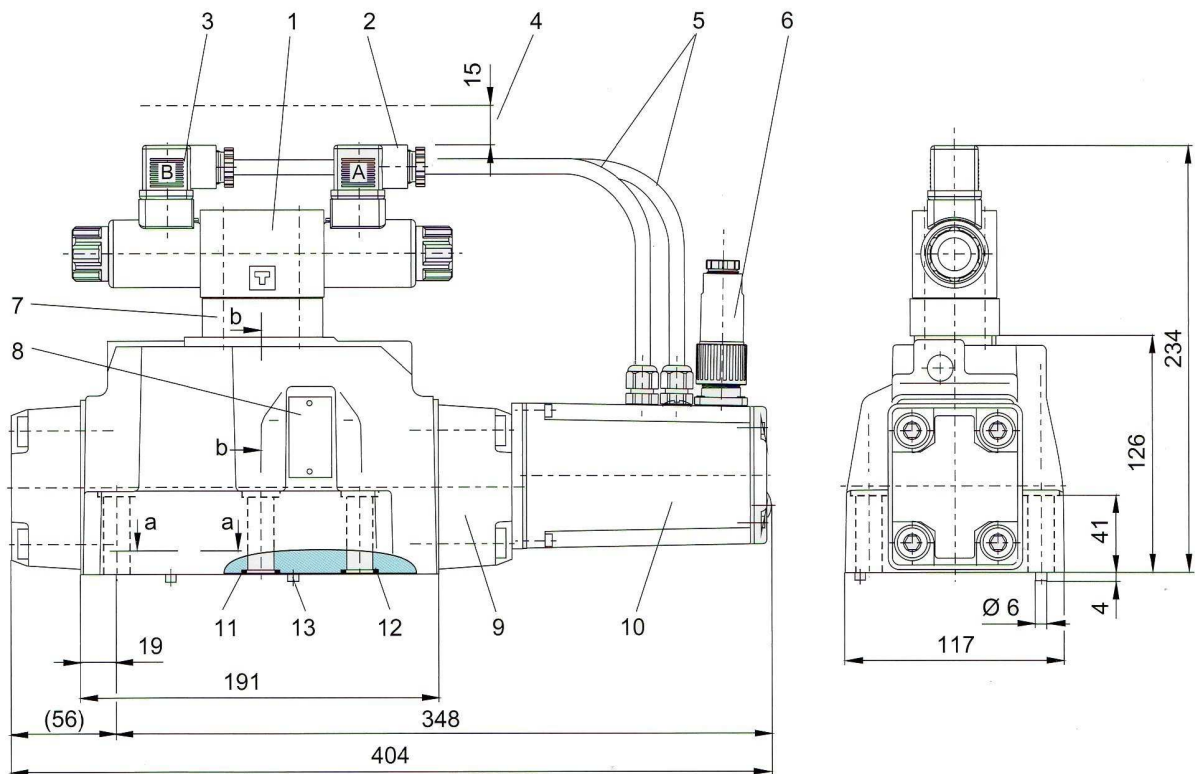
NS 16 Unit dimensions (nominal dimensions in mm)



Required surface finish of the mating piece  
For sectional drawing see page 21

- 1 Pilot control valve
- 2 Plug-in connector "A", colour grey
- 3 Plug-in connector "B", colour black
- 4 Space required for the connection cable and to remove the plug-in connector
- 5 Cabling
- 6 Plug-in connector, separate order, see page 7
- 7 Pressure reducing valve
- 8 Name plate
- 9 Main valve
- 10 Integrated control electronics
- 11 Identical seal rings for ports A, B, P, T
- 12 Identical seal rings for ports X, Y
- 13 locating pin

## NS 25 Unit dimensions (nominal dimensions in mm)



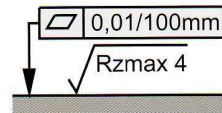
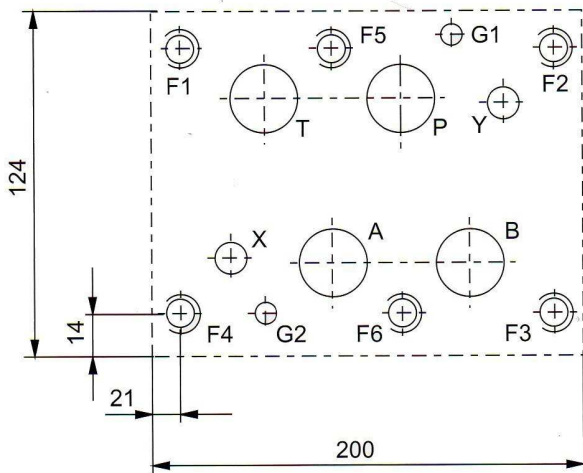
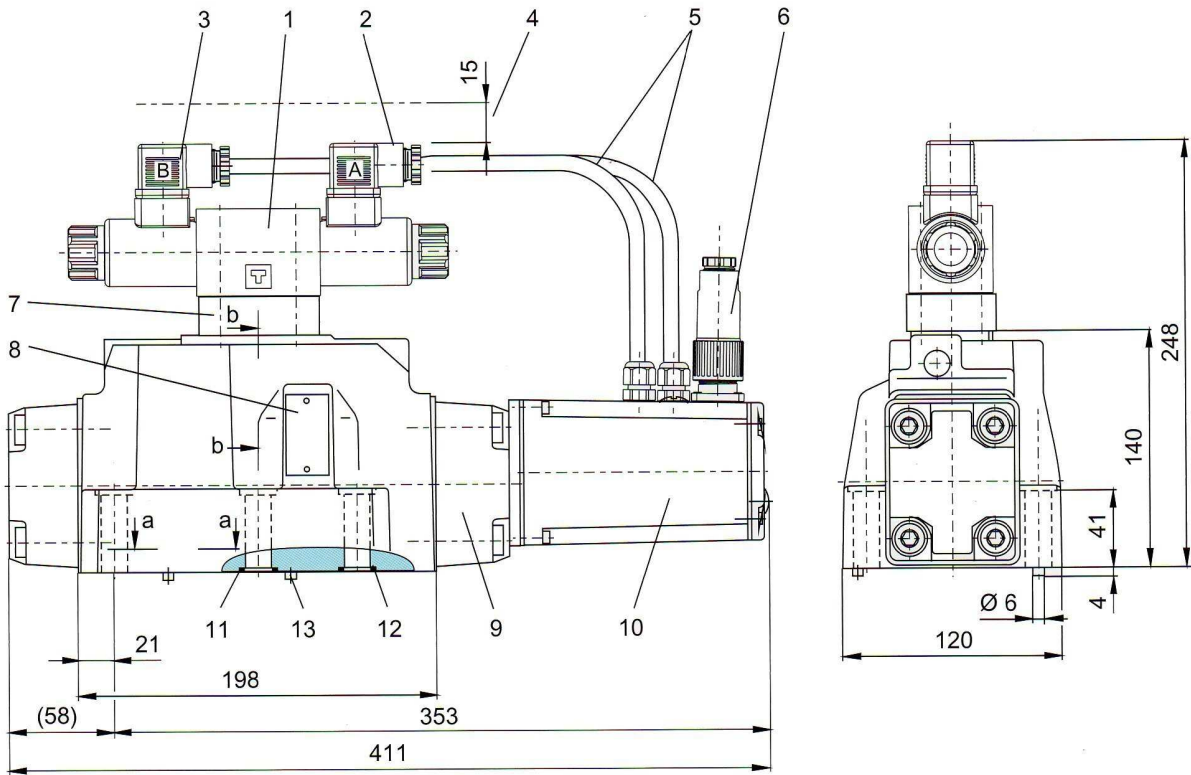
Required surface finish of the mating piece

For sectional drawing see page 22

- 1 Pilot control valve
- 2 Plug-in connector "A", colour grey
- 3 Plug-in connector "B", colour black
- 4 Space required for the connection cable and to remove the plug-in connector
- 5 Cabling
- 6 Plug-in connector, separate order, see page 7
- 7 Pressure reducing valve
- 8 Name plate
- 9 Main valve
- 10 Integrated control electronics
- 11 Identical seal rings for ports A, B, P, T
- 12 Identical seal rings for ports X, Y
- 13 locating pin

- 規格修改，本公司不另行通知
- Specification is subjected to change without notice.

NS 27 Unit dimensions (nominal dimensions in mm)

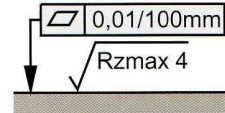
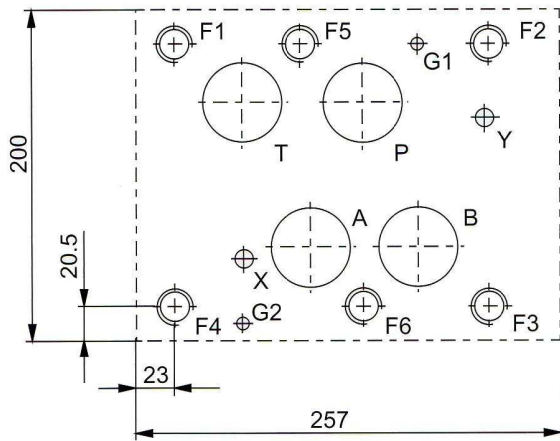
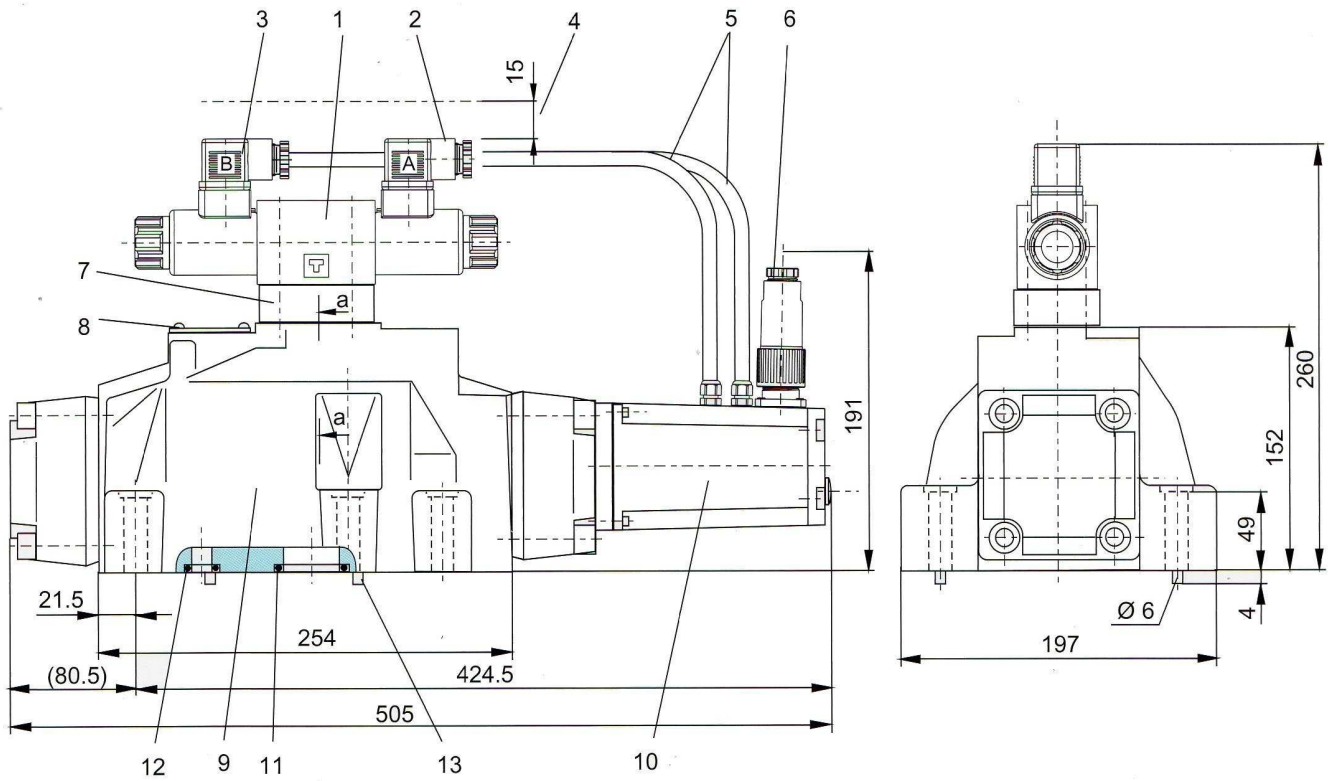


Required surface finish of the mating piece  
For sectional drawing see page 22

- 1 Pilot control valve
- 2 Plug-in connector "A", colour grey
- 3 Plug-in connector "B", colour black
- 4 Space required for the connection cable and to remove the plug-in connector
- 5 Cabling
- 6 Plug-in connector, separate order, see page 7
- 7 Pressure reducing valve
- 8 Name plate
- 9 Main valve
- 10 Integrated control electronics
- 11 Identical seal rings for ports A, B, P, T
- 12 Identical seal rings for ports X, Y
- 13 locating pin

●規格修改，本公司不另行通知  
●Specification is subjected to change without notice.

NS 32 Unit dimensions (nominal dimensions in mm)



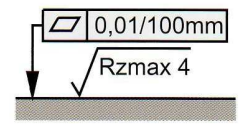
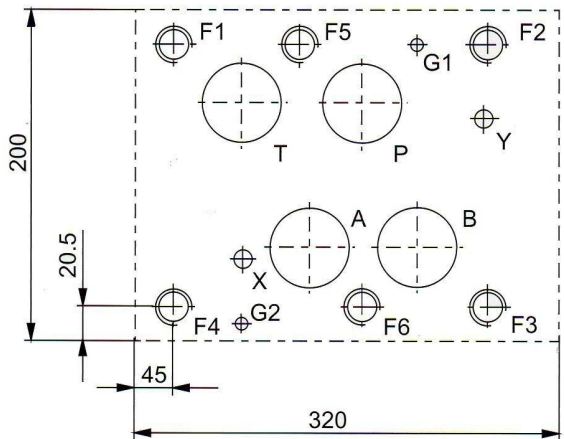
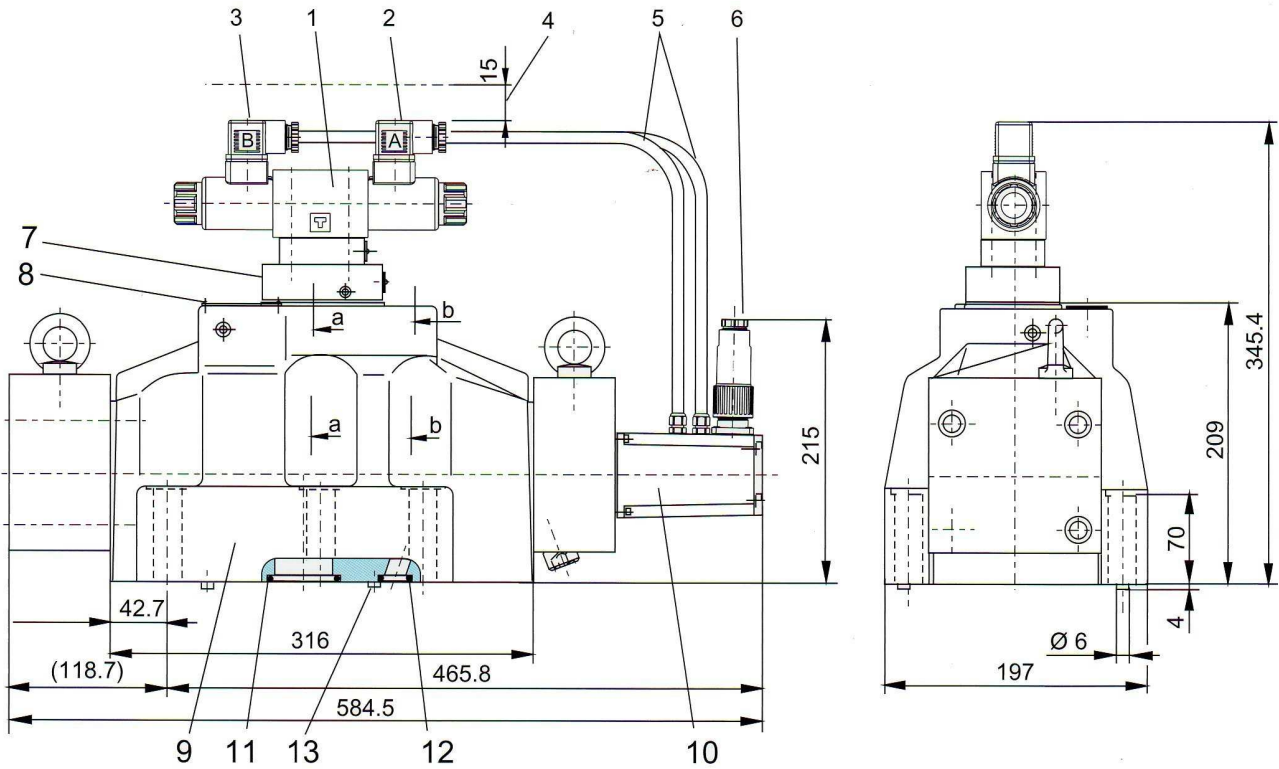
Required surface finish of the mating piece

For sectional drawing see page 22

- 1 Pilot control valve
- 2 Plug-in connector "A", colour grey
- 3 Plug-in connector "B", colour black
- 4 Space required for the connection cable and to remove the plug-in connector
- 5 Cabling
- 6 Plug-in connector, separate order, see page 7
- 7 Pressure reducing valve
- 8 Name plate
- 9 Main valve
- 10 Integrated control electronics
- 11 Identical seal rings for ports A, B, P, T
- 12 Identical seal rings for ports X, Y
- 13 locating pin

●規格修改，本公司不另行通知  
●Specification is subjected to change without notice.

NS 35 Unit dimensions (nominal dimensions in mm)



Required surface finish of the mating piece  
For sectional drawing see page 22

- 1 Pilot control valve
- 2 Plug-in connector "A", colour grey
- 3 Plug-in connector "B", colour black
- 4 Space required for the connection cable and to remove the plug-in connector
- 5 Cabling
- 6 Plug-in connector, separate order, see page 7
- 7 Pressure reducing valve
- 8 Name plate
- 9 Main valve
- 10 Integrated control electronics
- 11 Identical seal rings for ports A, B, P, T
- 12 Identical seal rings for ports X, Y
- 13 locating pin

●規格修改，本公司不另行通知  
●Specification is subjected to change without notice.