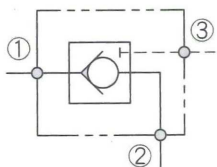


螺紋式插裝導關閥-導壓、提動式

Screw-in pilot to close cartridge check valve-Pilot ratio、Poppet type



油壓符號 Symbol



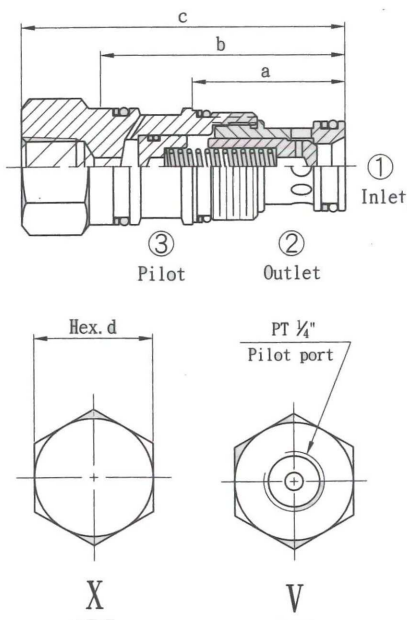
■ 特性/Characteristic:

- 液控單向閥是非調節的開關閥僅使用負荷鎖固，因此不提供流暢的運動控制
- 允許經一單向閥自由流通由1口到2口，當3口導壓使用時1口到2口不通形成鎖固
- Pilot to open check valves are non modulating on/off valves used for load locking only and do not provide smooth motion control
- They allow free flow from port 1 to port 2 then block reverse flow when a pilot pressure is sensed at port 3 enabling a pilot piston to push the poppet on its seat, they close flow from port 1 to port 2

■ 性能表/Specification:

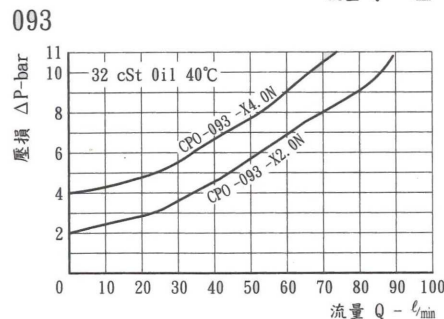
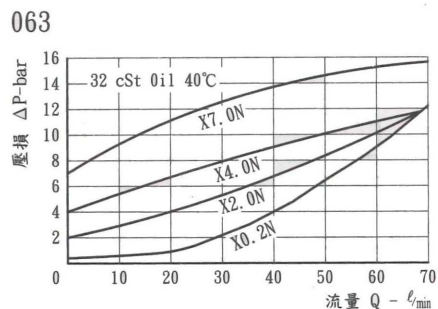
型號 Model	閥系說明 Description	額定流量 Rated Flow	最高壓力 Max. pressure	重量 Weight
CPO-063	提動式 Poppet type 1.96:1導壓比 1.96:1 pilot ratio	請參閱 壓損曲綫表	315bar (最大值)	063:X:0.12Kg V:0.12Kg 093:X:0.22Kg V:0.22Kg

■ 尺寸圖/Dimensions (mm)



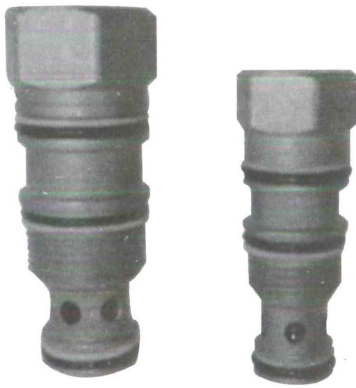
閥型	063	093
a	30	34
b	46	54
c	61	72
d	22	27

■ 壓損曲綫/Flow-Pres. Drop Curve

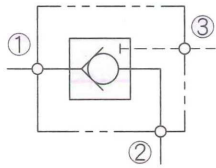


螺紋式插裝導關閥-導壓、提動式

Screw-in pilot to close cartridge check valve- Pilot ratio、Poppet type



油壓符號 Symbol



閥孔型號 Valve Cavity : T02
 成型刀具 Cavity Tools : CT02-D, CT02-R
 請參閱 Reference P102

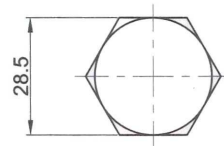
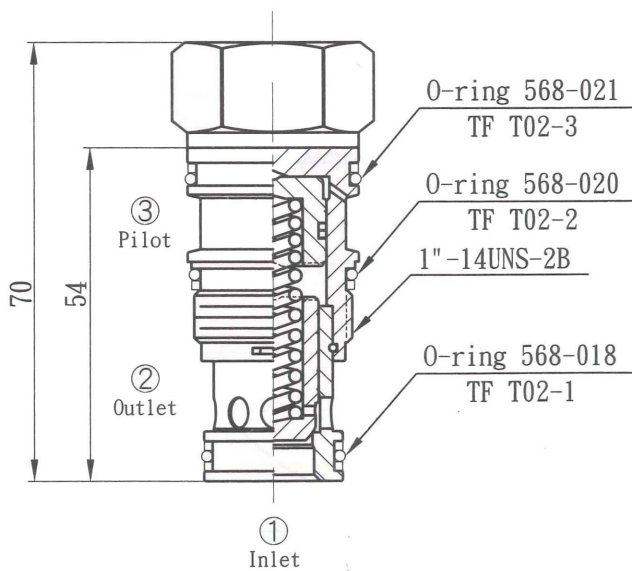
■ 特性/Characteristic:

- 液控單向閥是非調節的開關閥僅使用負荷鎖固，因此不提供流暢的運動控制
- 允許經一單向閥自由流通由1口到2口，當3口導壓使用時1口到2口不通形成鎖固
- Pilot to open check valves are non modulating on/off valves used for load locking only and do not provide smooth motion control
- They allow free flow from port 1 to port 2 then block reverse flow when a pilot pressure is sensed at port 3 enabling a pilot piston to push the poppet on its seat, they close flow from port 1 to port 2

■ 性能表/Specification:

型號 Model	閥系說明 Description	額定流量 Rated Flow	最高壓力 Max. pressure	重量 Weight
CPO-T02	提動式 Poppet type 1.8:1導壓比 1.8:1 pilot ratio	100 ℓ/min	315bar	0.24Kg

■ 尺寸圖/Dimensions (mm)



■ 壓損曲綫/Flow-Pres. Drop Curve

