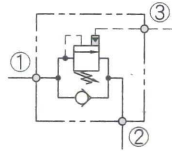


螺紋式插裝抗衡閥-導壓、提動式

Screw-in counterbalance cartridge valve- Pilot ratio、Poppet type



油壓符號 Symbol



■ 特性/Characteristic:

- 當作動缸直立時，協助確保下降時負荷控制；當水平回轉運動時，提供優良的加速和減速控制
- 推薦設定壓是最大感應壓的1.3倍
- When used with vertical actuators they help to ensure control of the load during lowering with horizontal rotary motion they can help provide good control of acceleration and deceleration
- Recommended setting for counterbalance valve is 1.3 times the maximum load induced pressure

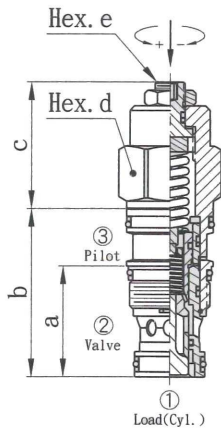
■ 性能表/Specification:

型號 Model	閥系說明 Description	額定流量 Rated Flow	最高壓力 Max. pressure	重量 Weight
CBA-063	提動式 Poppet type 導壓比 3:1,4.5:1,10:1 pilot ratio 3:1,4.5:1,10:1	063:45 ℓ/min 093:85 ℓ/min	350bar	063:0.15Kg 093:0.25Kg

CBA-063

CBA-093

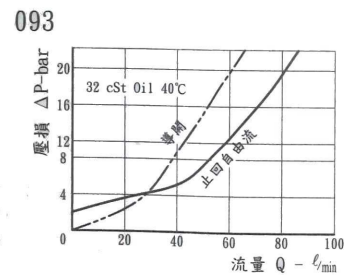
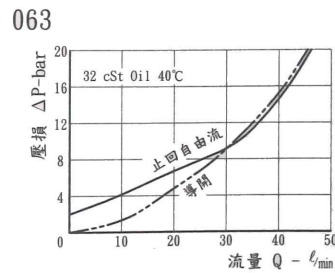
■ 尺寸圖/Dimensions (mm)



- 附手動釋壓功能  
Manual emergency load release.
- 正轉螺桿，增加設定壓力  
Turn screw clockwise to increase the pressure setting.

閥型	063	093
a	30.5	34
b	46.5	54.5
c	39	39.5
d	22.2	27
e	4	4

■ 壓損曲綫/Flow-Pres. Drop Curve



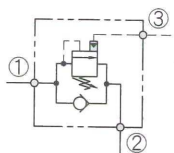
螺紋式插裝抗衡閥-導壓、提動式

Screw-in counterbalance cartridge valve-Pilot ratio、Poppet type

■ 特性/Characteristic:

- 當作動缸直立時，協助確保下降時負荷控制；當水平回轉運動時，提供優良的加速和減速控制
- 推薦設定壓是最大感應壓的1.3倍
- When used with vertical actuators they help to ensure control of the load during lowering with horizontal rotary motion they can help provide good control of acceleration and deceleration
- Recommended setting for counterbalancet valve is 1.3 times the maximum load induced pressure

油壓符號 Symbol

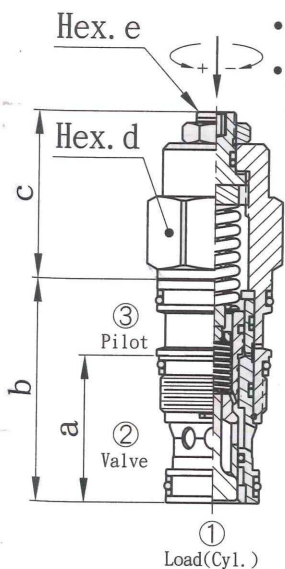


■ 性能表/Specification:

型號 Model	閥系說明 Description	額定流量 Rated Flow	最高壓力 Max. pressure	重量 Weight
CBA-T11	提動式 Poppet type 導壓比 3:1,4.5:1,10:1 pilot ratio 3:1,4.5:1,10:1	T11:45 ℓ/min T02:85 ℓ/min T17:200 ℓ/min ( $\Delta P$ :20bar)	350bar	T11:0.15Kg T02:0.28Kg T17:0.63Kg

CBA-T02  
CBA-T11  
CBA-T17

■ 尺寸圖/Dimensions (mm)

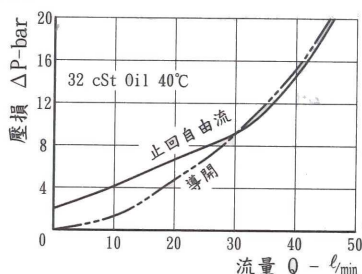


- 附手動釋壓功能  
Manual emergency load release.
- 正轉螺桿，增加設定壓力  
Turn screw clockwise to increase the pressure setting.

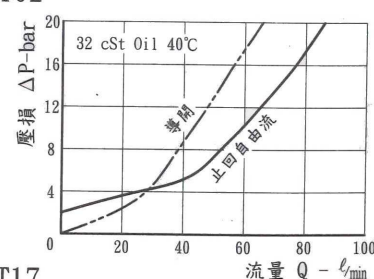
閥型	T11	T02	T17
a	35	35.1	46.1
b	52.5	53.5	70.6
c	32.5	40.2	53.5
d	22.2	28.5	31.7
e	4	4	6

■ 壓損曲綫/Flow-Pres. Drop Curve

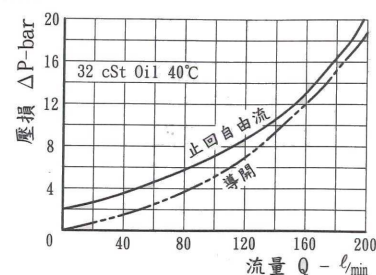
T11



T02



T17

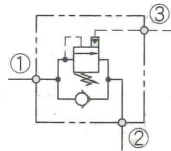


## 螺紋式插裝抗衡閥-導壓、提動式

### Screw-in counterbalance cartridge valve-Pilot ratio、Poppet type



油壓符號 Symbol



閥孔型號 Valve Cavity : C063  
 成型刀具 Cavity Tools : CTD6-D, CTD6-R  
 請參閱 Reference P98

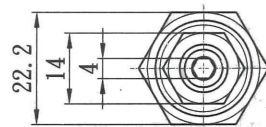
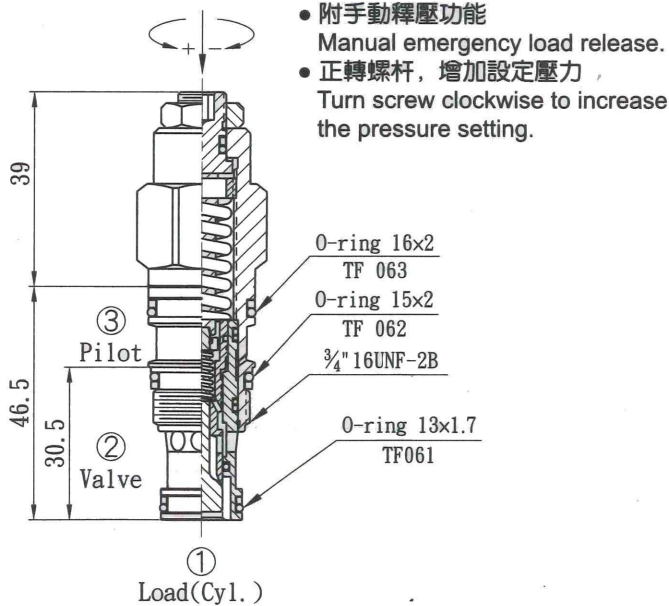
#### ■ 特性/Characteristic:

- 當作動缸直立時，協助確保下降時負荷控制；當水平回轉運動時，提供優良的加速和減速控制
- 推薦設定壓是最大感應壓的1.3倍
- When used with vertical actuators they help to ensure control of the load during lowering with horizontal rotary motion they can help provide good control of acceleration and deceleration
- Recommended setting for counterbalance valve is 1.3 times the maximum load induced pressure

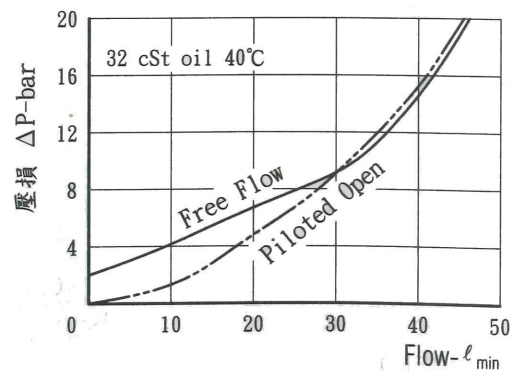
#### ■ 性能表/Specification:

型號 Model	閥系說明 Description	額定流量 Rated Flow	最高壓力 Max. pressure	重量 Weight
CBG-063	提動式 Poppet type 4.5:1導壓比 4.5:1 pilot ratio	45 ℓ/min	350bar	0.15Kg

#### ■ 尺寸圖/Dimensions (mm)



#### ■ 壓損曲綫/Flow-Pres. Drop Curve

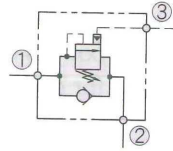


## 螺紋式插裝抗衡閥-導壓、提動式

### Screw-in counterbalance cartridge valve-Pilot ratio、Poppet type



油壓符號 Symbol



#### ■ 特性/Characteristic:

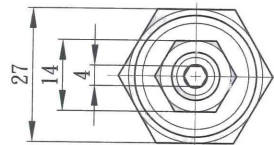
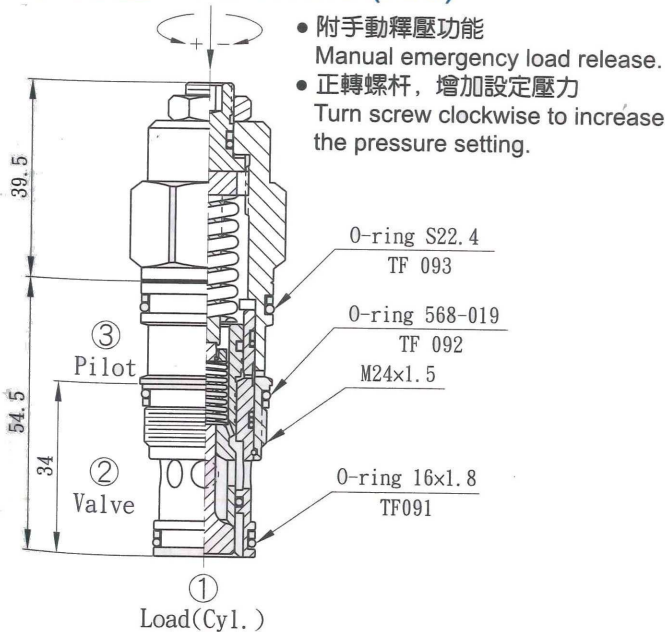
- 當作動缸直立時，協助確保下降時負荷控制；當水平回轉運動時，提供優良的加速和減速控制
- 推薦設定壓是最大感應壓的1.3倍
- When used with vertical actuators they help to ensure control of the load during lowering with horizontal rotary motion they can help provide good control of acceleration and deceleration
- Recommended setting for counterbalance valve is 1.3 times the maximum load induced pressure

#### ■ 性能表/Specification:

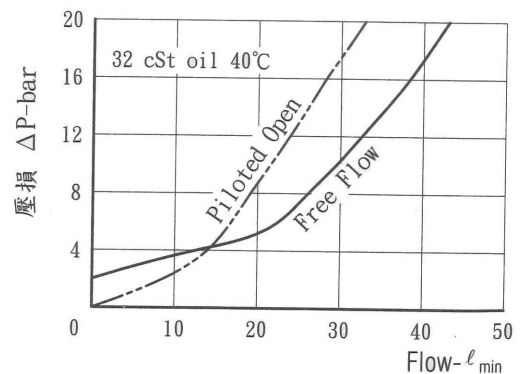
型號 Model	閥系說明 Description	額定流量 Rated Flow	最高壓力 Max. pressure	重量 Weight
CBG-093	提動式 Poppet type 4.5:1導壓比 4.5:1 pilot ratio	85 ℓ/min	350bar	0.25Kg

閥孔型號 Valve Cavity : C093  
 成型刀具 Cavity Tools : CT39-D, CT39-R  
 請參閱 Reference P100

#### ■ 尺寸圖/Dimensions (mm)



#### ■ 壓損曲綫/Flow-Pres. Drop Curve

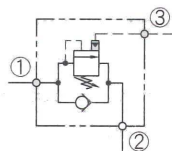


# 螺紋式插裝抗衡閥-導壓、提動式

## Screw-in counterbalance cartridge valve-Pilot ratio、Poppet type



油壓符號 Symbol



閥孔型號 Valve Cavity : T02  
 成型刀具 Cavity Tools : CT02-D, CT02-R  
 請參閱 Reference P102

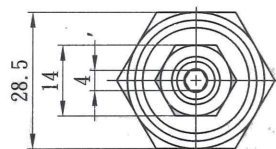
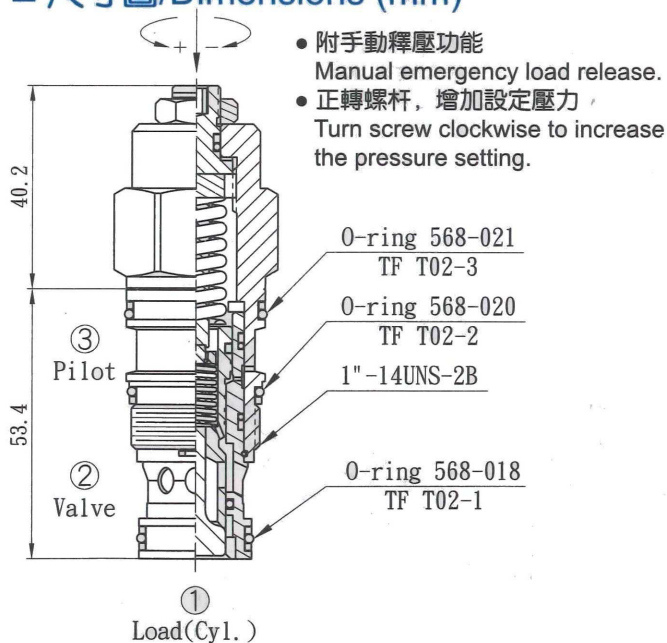
### ■ 特性/Characteristic:

- 當作動缸直立時，協助確保下降時負荷控制；當水平回轉運動時，提供優良的加速和減速控制
- 推薦設定壓是最大感應壓的1.3倍
- When used with vertical actuators they help to ensure control of the load during lowering with horizontal rotary motion they can help provide good control of acceleration and deceleration
- Recommended setting for counterbalance valve is 1.3 times the maximum load induced pressure

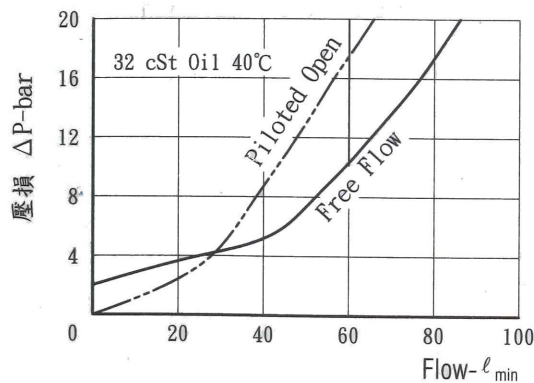
### ■ 性能表/Specification:

型號 Model	閥系說明 Description	額定流量 Rated Flow	最高壓力 Max. pressure	重量 Weight
CBG-T02	提動式 Poppet type 4.5:1導壓比 4.5:1 pilot ratio	85 ℓ/min	350bar	0.28Kg

### ■ 尺寸圖/Dimensions (mm)



### ■ 壓損曲綫/Flow-Pres. Drop Curve

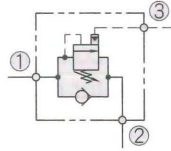


## 螺紋式插裝抗衡閥-導壓、提動式

### Screw-in counterbalance cartridge valve-Pilot ratio、Poppet type



油壓符號 Symbol



閥孔型號 Valve Cavity : T11  
 成型刀具 Cavity Tools : CT11-D, CT11-R

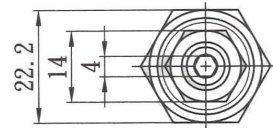
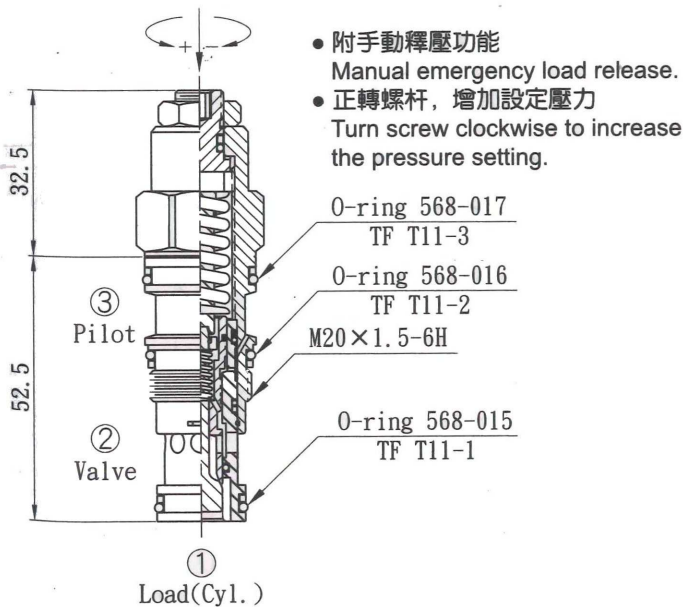
#### ■ 特性/Characteristic:

- 當作動缸直立時，協助確保下降時負荷控制；當水平回轉運動時，提供優良的加速和減速控制
- 推薦設定壓是最大感應壓的1.3倍
- When used with vertical actuators they help to ensure control of the load during lowering with horizontal rotary motion they can help provide good control of acceleration and deceleration
- Recommended setting for counterbalance valve is 1.3 times the maximum load induced pressure

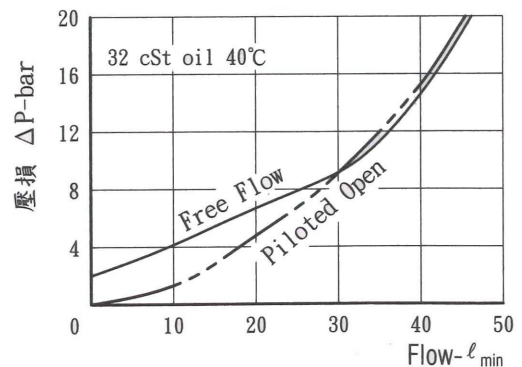
#### ■ 性能表/Specification:

型號 Model	閥系說明 Description	額定流量 Rated Flow	最高壓力 Max. pressure	重量 Weight
CBG-T11	提動式 Poppet type 4.5:1導壓比 4.5:1 pilot ratio	45 l/min	350bar	0.15Kg

#### ■ 尺寸圖/Dimensions (mm)



#### ■ 壓損曲綫/Flow-Pres. Drop Curve

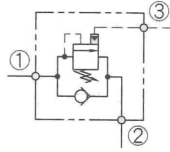


# 螺紋式插裝抗衡閥-導壓、提動式

## Screw-in counterbalance cartridge valve-Pilot ratio、Poppet type



油壓符號 Symbol



閥孔型號 Valve Cavity : T17  
 成型刀具 Cavity Tools : CT17-D, CT17-R

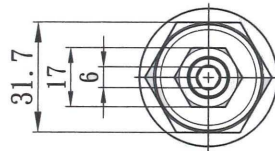
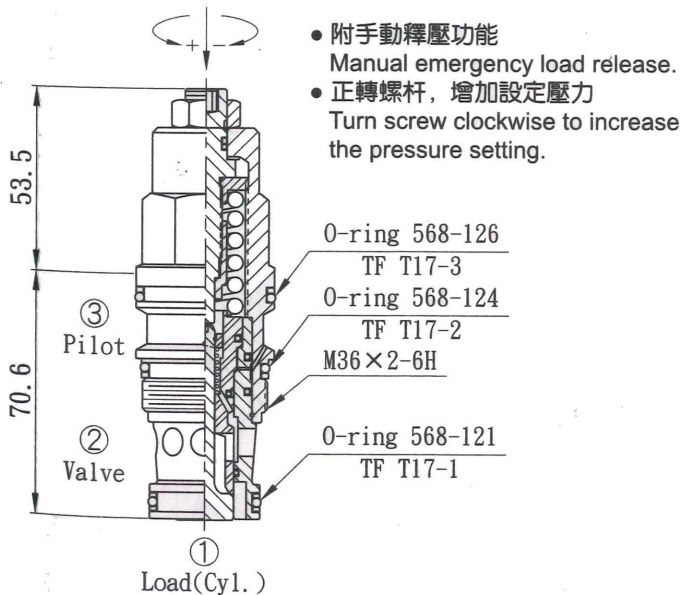
### ■ 特性/Characteristic:

- 當作動缸直立時，協助確保下降時負荷控制；當水平回轉運動時，提供優良的加速和減速控制
- 推薦設定壓是最大感應壓的1.3倍
- When used with vertical actuators they help to ensure control of the load during lowering with horizontal rotary motion they can help provide good control of acceleration and deceleration
- Recommended setting for counterbalance valve is 1.3 times the maximum load induced pressure

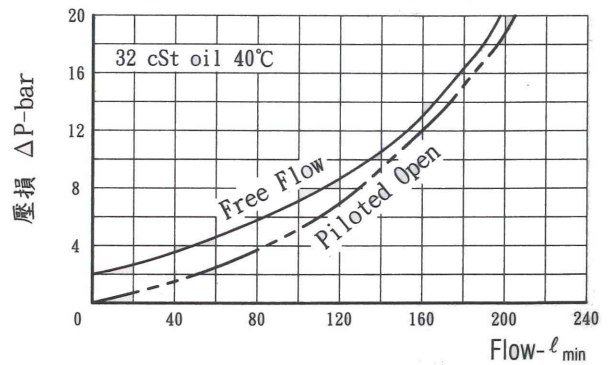
### ■ 性能表/Specification:

型號 Model	閥系說明 Description	額定流量 Rated Flow	最高壓力 Max. pressure	重量 Weight
CBG-T17	提動式 Poppet type 4.5:1導壓比 4.5:1 pilot ratio	200 ℓ/min	350bar	0.63Kg

### ■ 尺寸圖/Dimensions (mm)



### ■ 壓損曲綫/Flow-Pres. Drop Curve

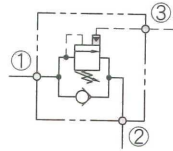


## 螺紋式插裝抗衡閥-導壓、提動式

Screw-in counterbalance cartridge valve-Pilot ratio、Poppet type



油壓符號 Symbol



閥孔型號 Valve Cavity : C063  
 成型刀具 Cavity Tools : CTD6-D, CTD6-R  
 請參閱 Reference P98

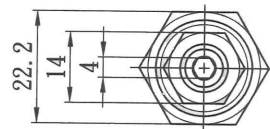
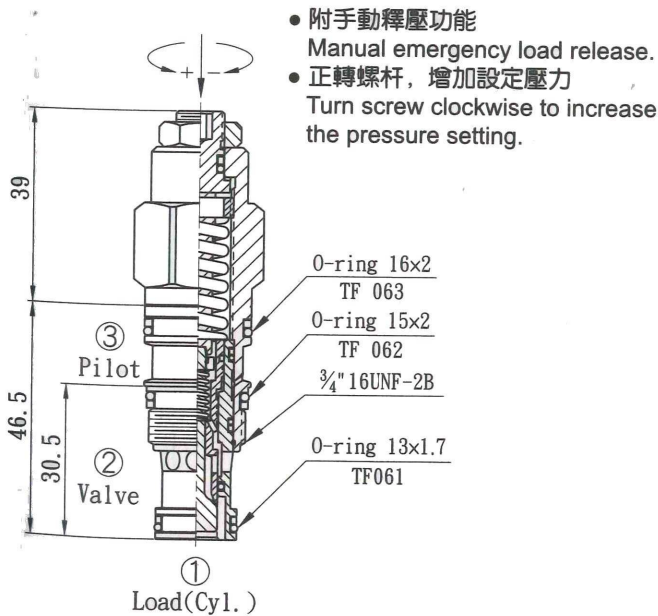
### ■ 特性/Characteristic:

- 當作動缸直立時，協助確保下降時負荷控制；當水平回轉運動時，提供優良的加速和減速控制
- 推薦設定壓是最大感應壓的1.3倍
- When used with vertical actuators they help to ensure control of the load during lowering with horizontal rotary motion they can help provide good control of acceleration and deceleration
- Recommended setting for counterbalance valve is 1.3 times the maximum load induced pressure

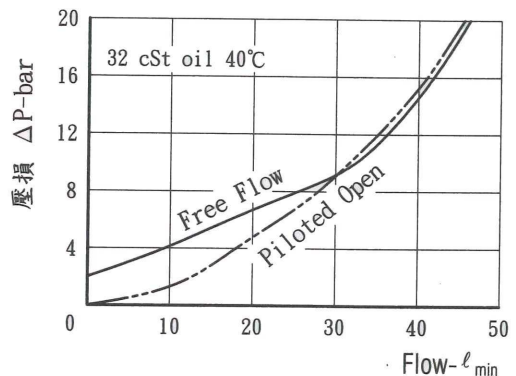
### ■ 性能表/Specification:

型號 Model	閥系說明 Description	額定流量 Rated Flow	最高壓力 Max. pressure	重量 Weight
CBH-063	提動式 Poppet type 10:1導壓比 10:1 pilot ratio	45 l/min	350bar	0.15Kg

### ■ 尺寸圖/Dimensions (mm)



### ■ 壓損曲綫/Flow-Pres. Drop Curve



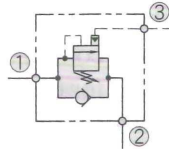


## 螺紋式插裝抗衡閥-導壓、提動式

### Screw-in counterbalance cartridge valve-Pilot ratio、Poppet type



油壓符號 Symbol



#### ■ 特性/Characteristic:

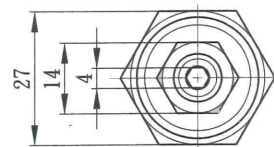
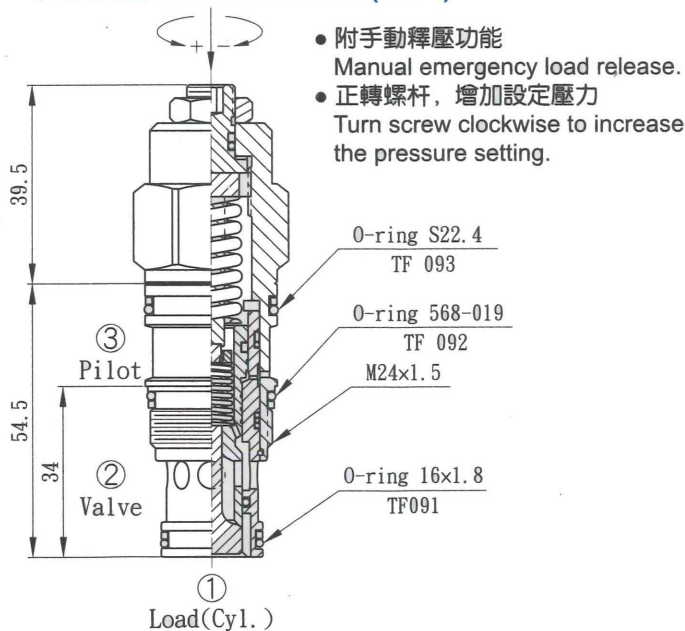
- 當作動缸直立時，協助確保下降時負荷控制；當水平回轉運動時，提供優良的加速和減速控制
- 推薦設定壓是最大感應壓的1.3倍
- When used with vertical actuators they help to ensure control of the load during lowering with horizontal rotary motion they can help provide good control of acceleration and deceleration
- Recommended setting for counterbalance valve is 1.3 times the maximum load induced pressure

#### ■ 性能表/Specification:

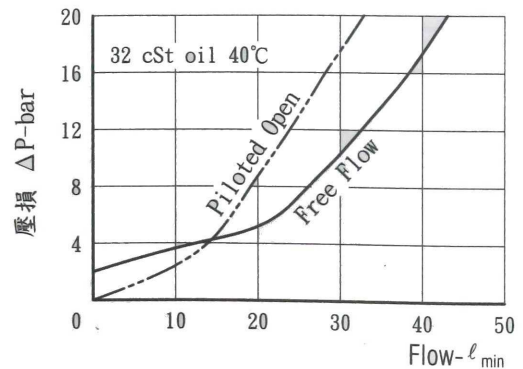
型號 Model	閥系說明 Description	額定流量 Rated Flow	最高壓力 Max. pressure	重量 Weight
CBH-093	提動式 Poppet type 10:1導壓比 10:1 pilot ratio	85 l/min	350bar	0.25Kg

閥孔型號 Valve Cavity : C093  
 成型刀具 Cavity Tools : CT39-D, CT39-R  
 請參閱 Reference P100

#### ■ 尺寸圖/Dimensions (mm)



#### ■ 壓損曲綫/Flow-Pres. Drop Curve



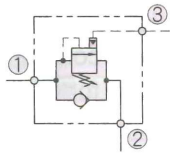
## 螺紋式插裝抗衡閥-導壓、提動式

Screw-in counterbalance cartridge valve-Pilot ratio、Poppet type



閥孔型號 Valve Cavity : T02  
成型刀具 Cavity Tools : CT02-D, CT02-R

油壓符號 Symbol



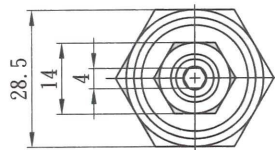
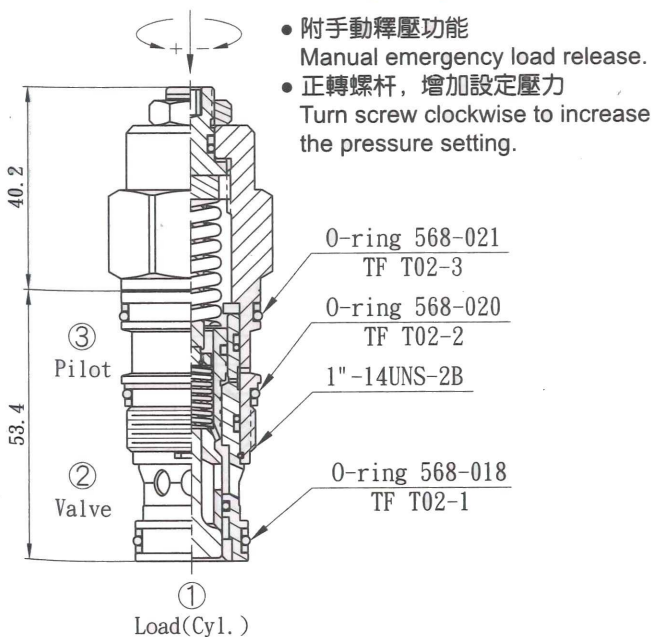
### ■ 特性/Characteristic:

- 當作動缸直立時，協助確保下降時負荷控制；當水平回轉運動時，提供優良的加速和減速控制
- 推薦設定壓是最大感應壓的1.3倍
- When used with vertical actuators they help to ensure control of the load during lowering with horizontal rotary motion they can help provide good control of acceleration and deceleration
- Recommended setting for counterbalance valve is 1.3 times the maximum load induced pressure

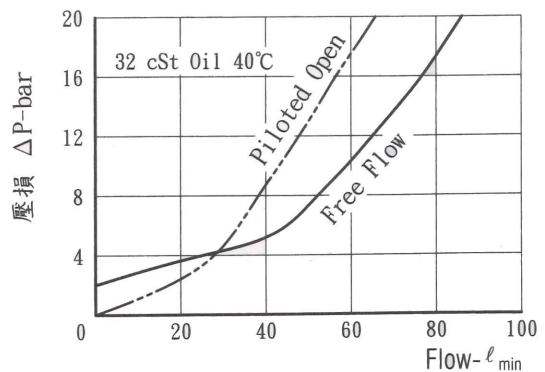
### ■ 性能表/Specification:

型號 Model	閥系說明 Description	額定流量 Rated Flow	最高壓力 Max. pressure	重量 Weight
CBH-T02	提動式 Poppet type 10:1導壓比 10:1 pilot ratio	85 ℓ/min	350bar	0.28Kg

### ■ 尺寸圖/Dimensions (mm)



### ■ 壓損曲線/Flow-Pres. Drop Curve

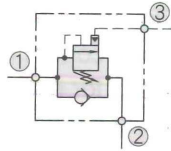


## 螺紋式插裝抗衡閥-導壓、提動式

### Screw-in counterbalance cartridge valve-Pilot ratio、Poppet type



油壓符號 Symbol



閥孔型號 Valve Cavity : T11  
成型刀具 Cavity Tools : CT11-D, CT11-R

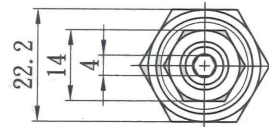
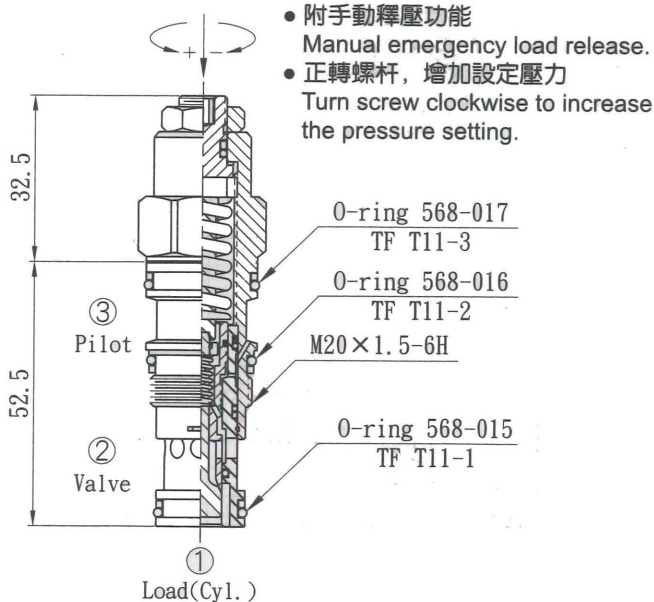
#### ■ 特性/Characteristic:

- 當作動缸直立時，協助確保下降時負荷控制；當水平回轉運動時，提供優良的加速和減速控制
- 推薦設定壓是最大感應壓的1.3倍
- When used with vertical actuators they help to ensure control of the load during lowering with horizontal rotary motion they can help provide good control of acceleration and deceleration
- Recommended setting for counterbalance valve is 1.3 times the maximum load induced pressure

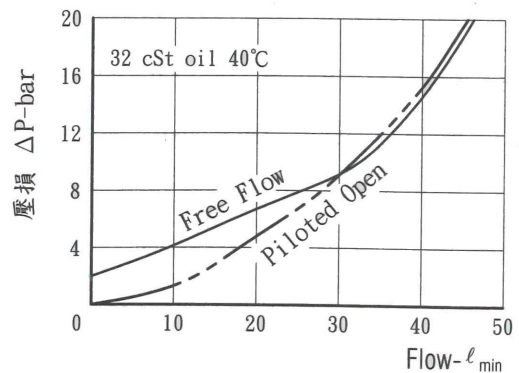
#### ■ 性能表/Specification:

型號 Model	閥系說明 Description	額定流量 Rated Flow	最高壓力 Max. pressure	重量 Weight
CBH-T11	提動式 Poppet type 10:1導壓比 10:1 pilot ratio	45 l/min	350bar	0.15Kg

#### ■ 尺寸圖/Dimensions (mm)



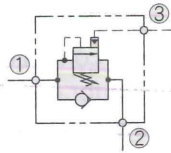
#### ■ 壓損曲綫/Flow-Pres. Drop Curve



螺紋式插裝抗衡閥-導壓、提動式  
Screw-in counterbalance cartridge valve-Pilot ratio、Poppet type



油壓符號 Symbol



閥孔型號 Valve Cavity : T17  
成型刀具 Cavity Tools : CT17-D, CT17-R

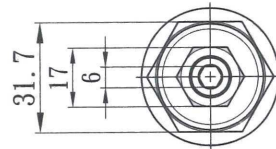
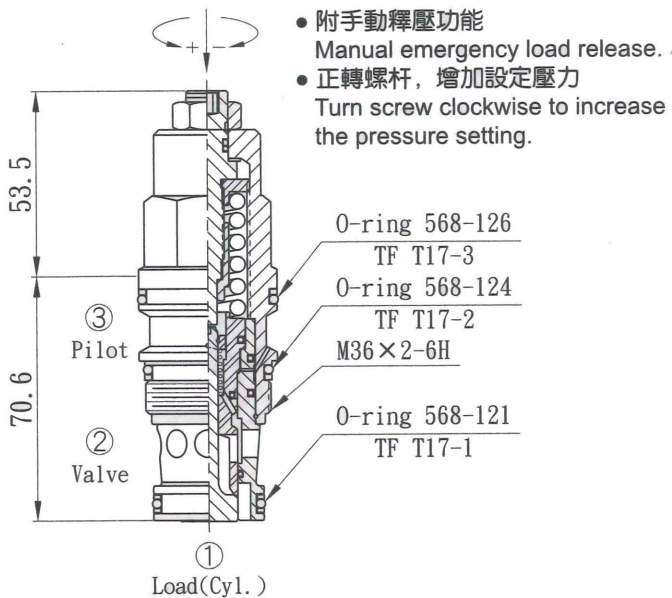
■ 特性/Characteristic:

- 當作動缸直立時，協助確保下降時負荷控制；當水平回轉運動時，提供優良的加速和減速控制
- 推薦設定壓是最大感應壓的1.3倍
- When used with vertical actuators they help to ensure control of the load during lowering with horizontal rotary motion they can help provide good control of acceleration and deceleration
- Recommended setting for counterbalanct valve is 1.3 times the maximum load induced pressure

■ 性能表/Specification:

型號 Model	閥系說明 Description	額定流量 Rated Flow	最高壓力 Max. pressure	重量 Weight
CBH-T17	提動式 Poppet type 10:1導壓比 10:1 pilot ratio	200 ℓ/min	350bar	0.63Kg

■ 尺寸圖/Dimensions (mm)



■ 壓損曲綫/Flow-Pres. Drop Curve

