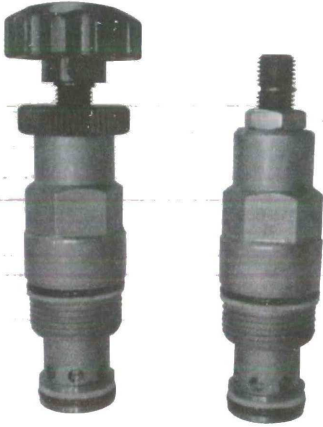
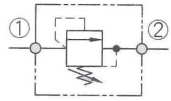


螺紋式插裝溢流閥 (遙控) - 直動式、提動式

Screw-in Relief Cartridge Valve (Remote Control) - Direct acting, Poppet type



油壓符號 Symbol



■ 特性/Characteristic:

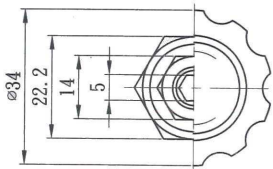
- 快速反應，響應時間2ms，低洩漏量 (小于5滴/分鐘)
- 油口2 (油箱) 的壓力直接加于閥的設定壓
- 兩個直動壓力口使溢流閥具有遙控性
- Fast acting 2ms response time Low leakage (less than 5 drops/min) at reset
- Pressure at port 2 is directly additive to valve setting
- Two port direct acting relief valve for pilot flow rates

■ 性能表/Specification:

型號 Model	閥系說明 Description	額定流量 Rated Flow	最高壓力 Max. pressure	重量 Weight
CMD-082	提動式 Poppet 直動式 Direct acting	2 l/min	400bar	K: 0.13Kg L: 0.10Kg

閥孔型號 Valve Cavity : C082
 成型刀具 Cavity Tools : CT28-D, CT28-R
 請參閱 Reference P91

■ 尺寸圖/Dimensions (mm)



- 正轉螺桿，增加設定壓力
Turn screw clockwise to increase the pressure setting.

