

螺紋式插裝順序閥-引導、平衡滑柱型

Screw-in sequence cartridge valve-Pilot operated、Balanced spool type

■ 特性/Characteristic:

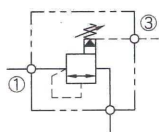
- 導引油液由1口到3口，工作壓力在1口，出口壓力在2口
- 遲滯小於 ±1%
- 快速反應，響應時間10ms
- Pilot flow port 1 to port 3, operated pressure at port 1, out port pressure at port 2
- Hysteresis is less than ±1%
- Fast acting 10ms response time

■ 性能表/Specification:

型號 Model	閥系說明 Description	額定流量 Rated Flow	最高壓力 Max. pressure	重量 Weight
CSV-063	引導型 Pilot operated 平衡滑柱型 Balanced spool	請參閱 壓損曲綫表	315bar (最大值)	063:K: 0.17Kg L: 0.14Kg 093:K: 0.29Kg L: 0.25Kg

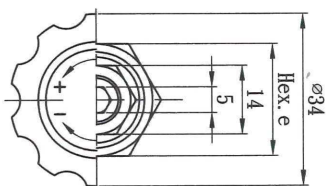
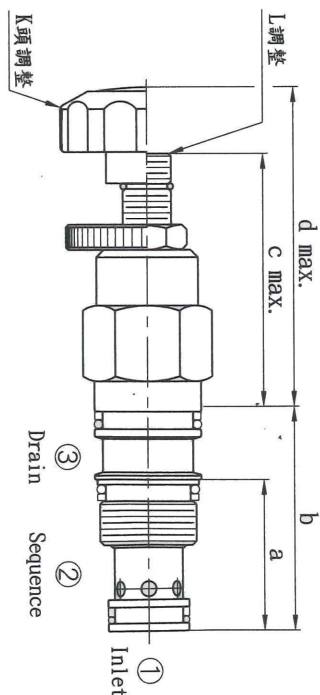


油壓符號 Symbol



CSV-063 CSV-093

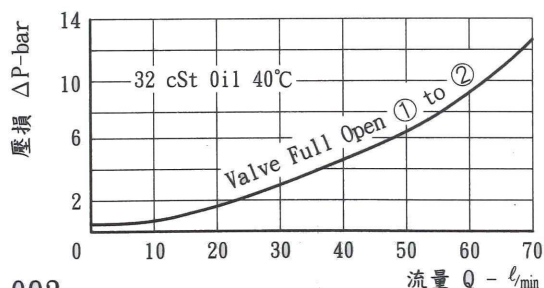
■ 尺寸圖/Dimensions (mm)



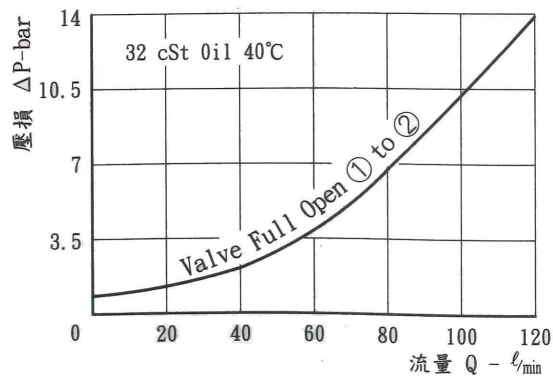
閥型	063	093
a	30	34
b	46	54
c	50	52
d	61	63
e	22	27

■ 壓損曲綫/Flow-Pres. Drop Curve

063



093

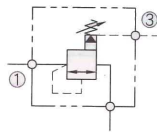


螺紋式插裝順序閥-引導、平衡滑柱型

Screw-in sequence cartridge valve-Pilot operated、Balanced spool type



油壓符號 Symbol



■ 特性/Characteristic:

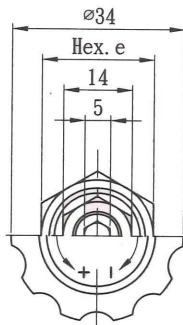
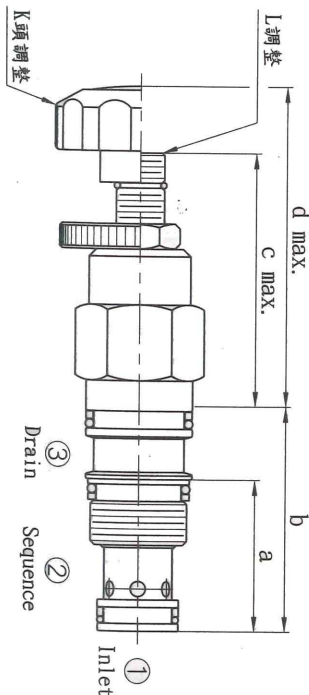
- 導引油液由1口到3口，工作壓力在1口，出口壓力在2口
- 遲滯小於 ±1%
- 快速反應，響應時間10ms
- Pilot flow port 1 to port 3, operated pressure at port 1, out port pressure at port 2
- Hysteresis is less than ±1%
- Fast acting 10ms response time

■ 性能表/Specification:

型號 Model	閥系說明 Description	額定流量 Rated Flow	最高壓力 Max. pressure	重量 Weight
CSV-T11	引導型 Pilot operated 平衡滑柱 Balanced spool	請參閱 壓損曲線表	315bar	T11:K: 0.19Kg L: 0.15Kg T02:K: 0.29Kg L: 0.25Kg T17:K: 0.66Kg L: 0.62Kg

CSV-T02
CSV-T11
CSV-T17

■ 尺寸圖/Dimensions (mm)



閥型	T11	T02	T17
a	35	35	46
b	52	54	69
c	49	60	66
d	60	72	77
e	22.2	28.5	32

■ 壓損曲線/Flow-Pres. Drop Curve

