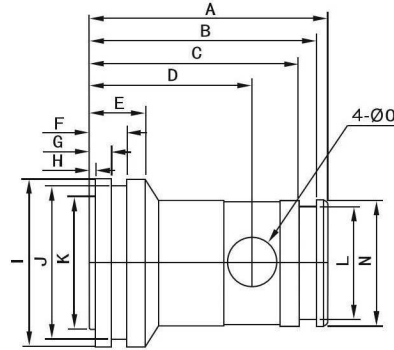


■ DIMENSIONS & CAVITIES:

Cavities: ISO 7368 (DIN 24342 Standard)

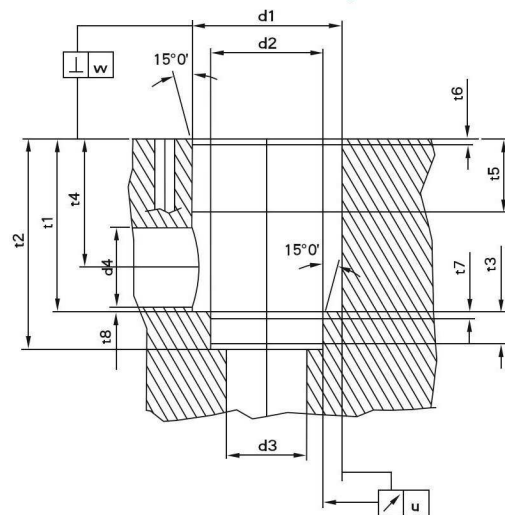
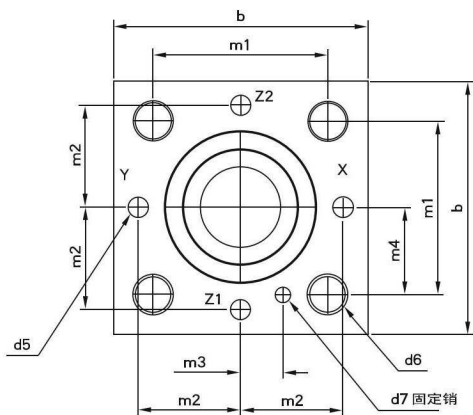
CLEB-16、25、32、40、50、63
CLED
CLEF



NOMINAL DIA. (mm)	A	B	C	D	E	F	G	H	I	J	K	L	N	O
16	56	52	46.5	37	16	10.5	7	2.4	32	29.2	23.7	22.2	25	10
25	72	69	62.6	43	16	13.5	8.8	1.8	45	40.8	37	29.8	34	14
32	85	69	74.6	58	20	13.6	8	2.4	60	55	47.5	40.8	45	18
40	105	97	90.6	66.5	24	15.6	10	2.4	75	70	62	50.8	55	23.5
50	122	114	107.6	83	20	14.6	9	2.4	90	85	76.8	63.8	68	28
63	155	145.5	134	115	27	21	12	4.6	120	110	94	80	90	25

■ DIMENSIONS & CAVITIES:

Cavities: ISO 7368 (DIN 24342 Standard)



NOMINAL DIA. (mm)	b	d1	d2	d3	d4	d5	d6	d7	m7	m2	m3	m4	t1	t2	t3	t4	t5	t6	t7	t8	u	w
		H7	H7						±0.2	±0.2	±0.2	±0.2	±0.1	±0.1								
16	65	32	25	16	25	4	M8	4	46	25	10.5	23	43	56	11	34	20	2	2	0.5	0.03	0.05
25	85	45	34	25	32	6	M12	6	58	33	16	29	58	72	12	44	30	2.5	2.5	1.0	0.03	0.05
32	102	60	45	32	40	8	M16	6	70	41	17	35	70	85	13	52	30	2.5	2.5	1.5	0.03	0.1
40	125	75	55	40	50	10	M20	6	85	50	23	42.5	87	105	15	64	30	3	3	2.5	0.05	0.1
50	140	90	68	50	63	10	M20	6	100	58	30	50	100	122	17	72	35	4	3	2.5	0.05	0.1
63	180	120	90	63	80	12	M30	8	125	75	38	62.5	130	155	20	95	40	4	4	3	0.05	0.2

●規格修改，本公司不另行通知
●Specification is subjected to change without notice.