

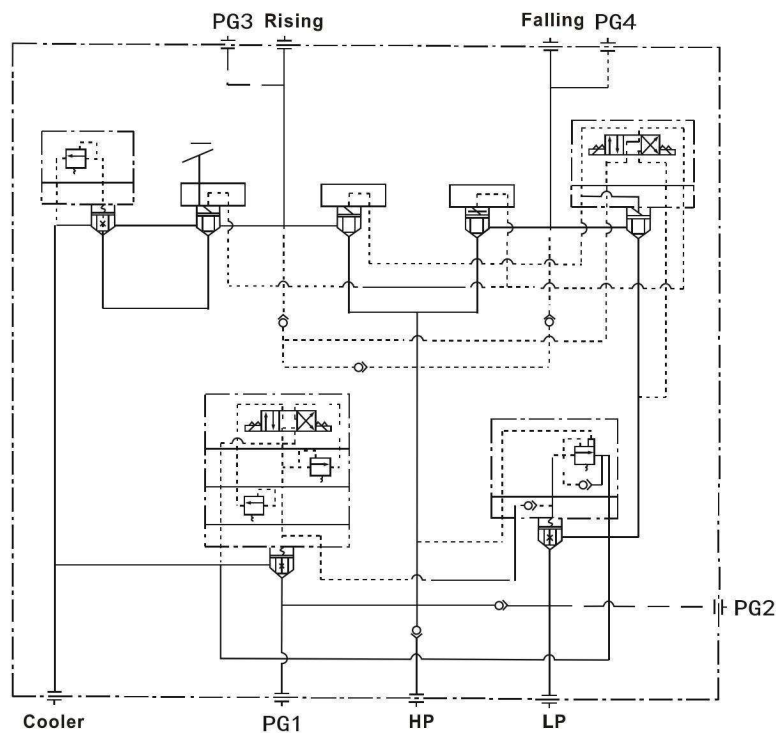
## CARTRIDGE SYSTEMS

### MFD



According to experiences of hydraulic system design and manufacturing for many years, KOMPASS presents high-performance and precisely processed cartridge valves and systems, with high pressure, flow rate, low noise level, free leakage and energy efficiency. Except these, subplate mounting control valves or screw-in type cartridge valves also can be designed to install on these systems for multiple purposes and applications. The sample of circuit design as follow:

### DESIGN SAMPLE:



REMARKS:1.Nominal Port Size depends on maximum port size in same system.

2.Port Sizes can be nominated Metric or Imperial unit as valve's specifications, for examples:

Metric: 16:16mm, 25:25mm, 32:32mm, 40:40mm etc.,

Imperial: 04: 1/2", 06:3/4" , 10:1 1/4" , 16:2"etc.,

(For detailed data of port sizes please see related valve specifications in this catalog.)