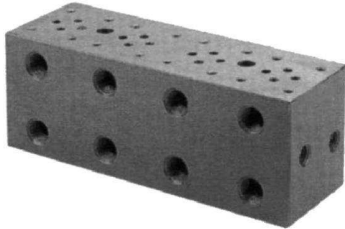


STANDARD MANIFOLDS

MMC SERIES



FEATURE:

Due to standardized port sizes and port distances, ISO 4401 mounting standard solenoid directional control valves and modular valves can be mounted on these manifolds. T stations available in 1/4" types, 6 stations in 3/8" types.

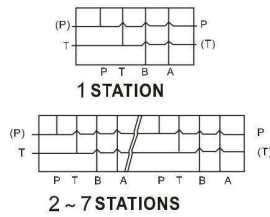
◎ REMARKS: 1. MAX. PRESSURE: 30 MPa

2. MAX. FLOW: 02: 40 l/min

03: 80 l/min

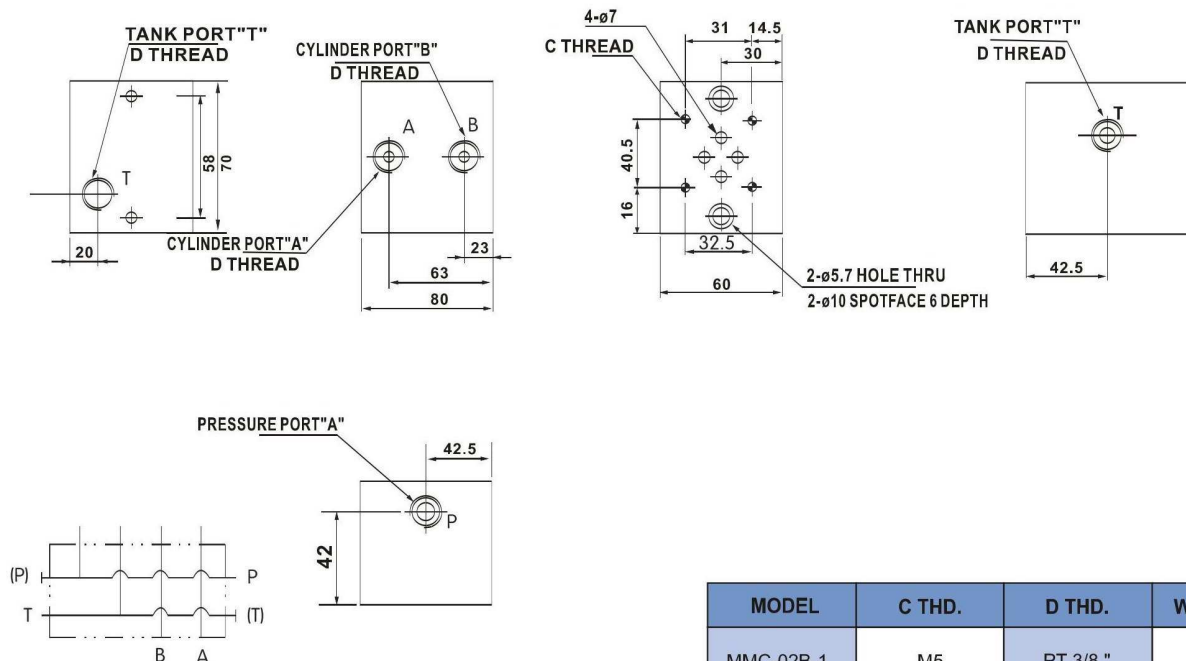
3. A. B PORTS POSITIONS: B PORT UP FOR STANDARD, FOR OTHERS TYPES. PLEASE CONTACT US.

4. THREAD STANDARD FOR PORTS IS PT, FOR NPT & BSP TYPES, PLEASE ADVISE US.



Dimensions

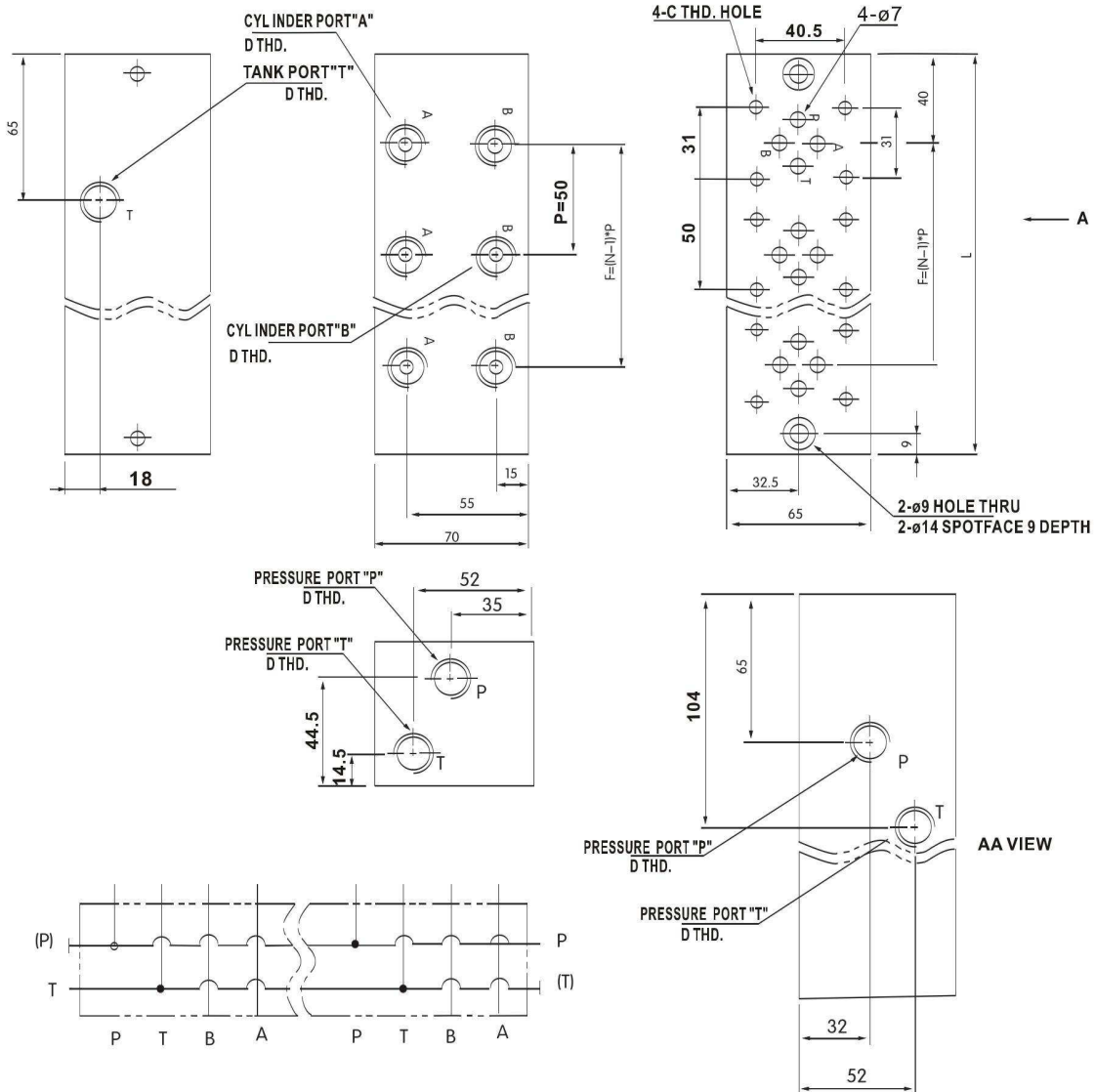
MMC-02B-1



MODEL	C THD.	D THD.	WEIGHT kg
MMC-02B-1	M5	PT 3/8 "	2.4

Dimensions

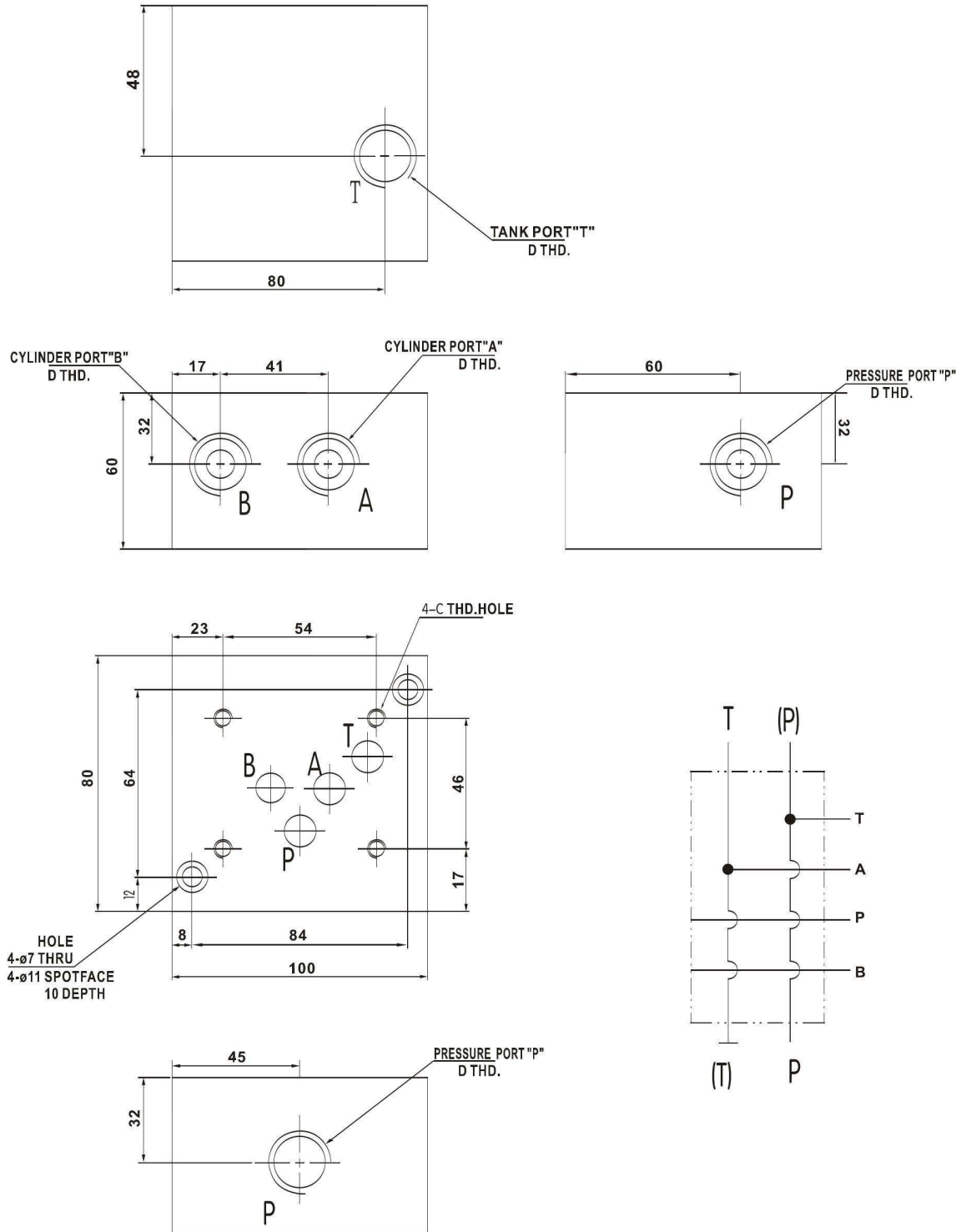
MMC-02B※



MODEL	C THD.	D THD.	F	N	L	WEIGHT kg
MMC-02B-2	M5	PT 3/8 "	50	2	130	3.2
MMC-02B-3	M5	PT 3/8 "	100	3	180	4.6
MMC-02B-4	M5	PT 3/8 "	150	4	230	5.9
MMC-02B-5	M5	PT 3/8 "	200	5	280	7.3
MMC-02B-6	M5	PT 3/8 "	250	6	330	8.6
MMC-02B-7	M5	PT 3/8 "	300	7	380	10.4

Dimensions

MMC-03B-1

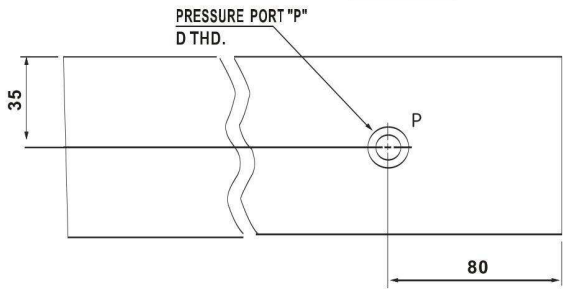
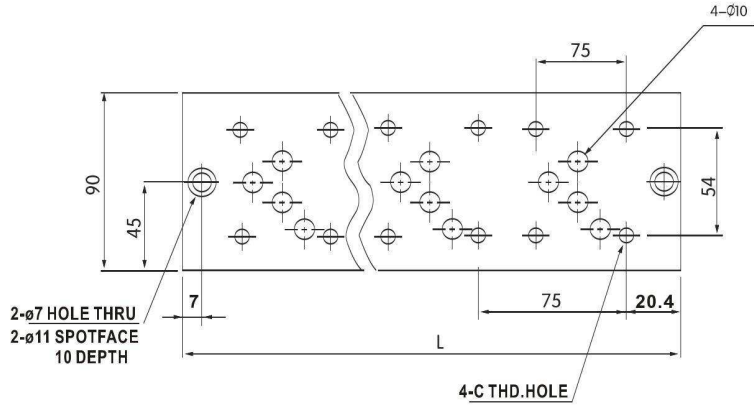
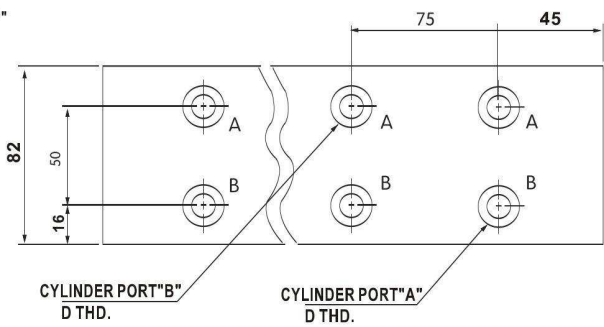
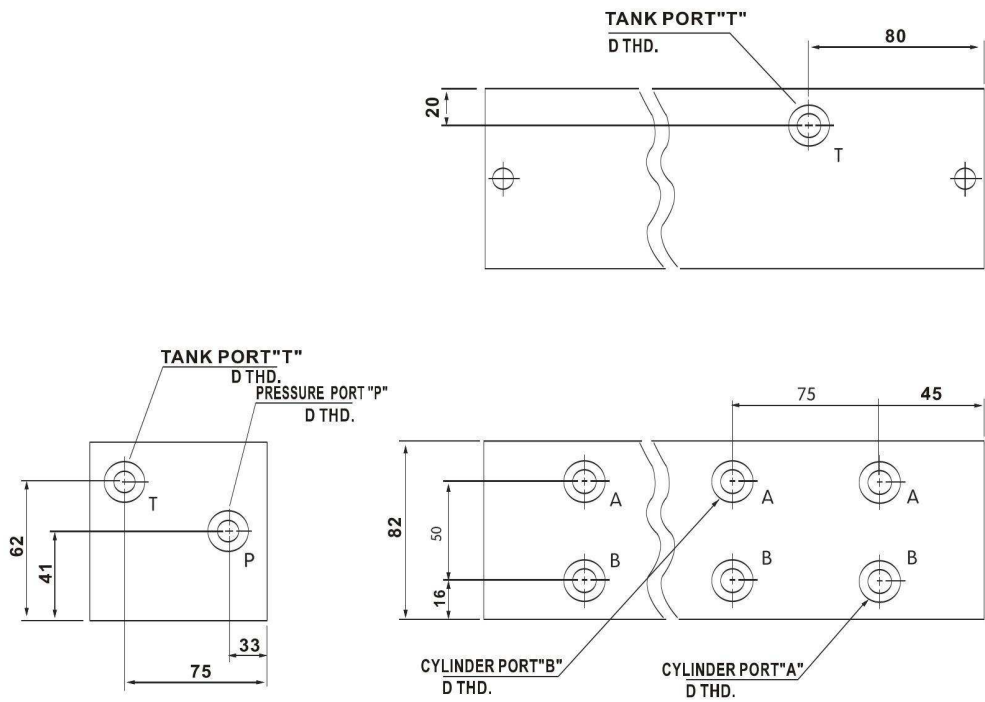
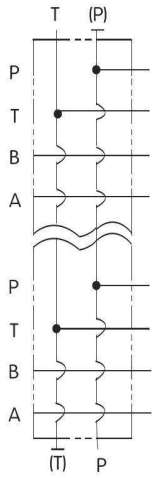


MODEL	C THD.	D THD.	WEIGHT kg
MMC-03B-1	M6	PT 1/2 "	3

- 規格修改，本公司不另行通知
- Specification is subjected to change without notice.

Dimensions

MMC-03B※



MODEL	C THD.	D THD.	L	WEIGHT kg
MMC-03B-2	M6XP1.0	PT 1/2 "	165	7.3
MMC-03B-3	M6XP1.0	PT 1/2 "	240	10.8
MMC-03B-4	M6XP1.0	PT 1/2 "	315	13.8
MMC-03B-5	M6XP1.0	PT 1/2 "	390	29
MMC-03B-6	M6XP1.0	PT 1/2 "	465	34.4

●規格修改，本公司不另行通知
 ●Specification is subjected to change without notice.