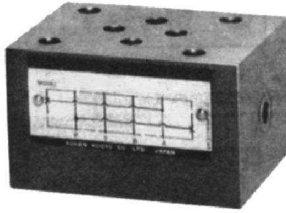


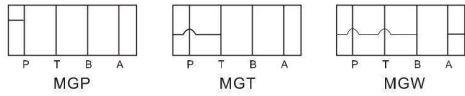
PRESSURE GAUGE BLOCKS

MG※-02 SERIES



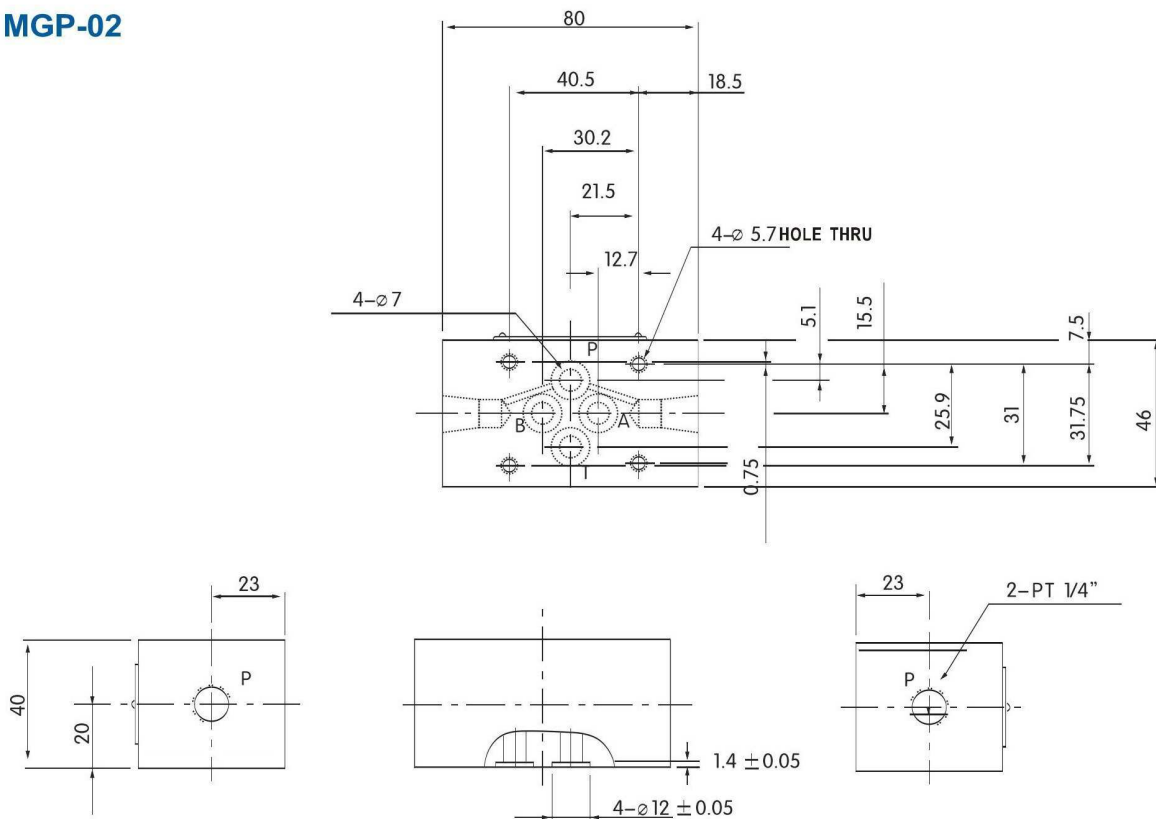
FEATURE:

Standardized block for pressure gauge mounting on can be connected to P、T、A、B port, It results in saving installed space requirements.



Dimensions

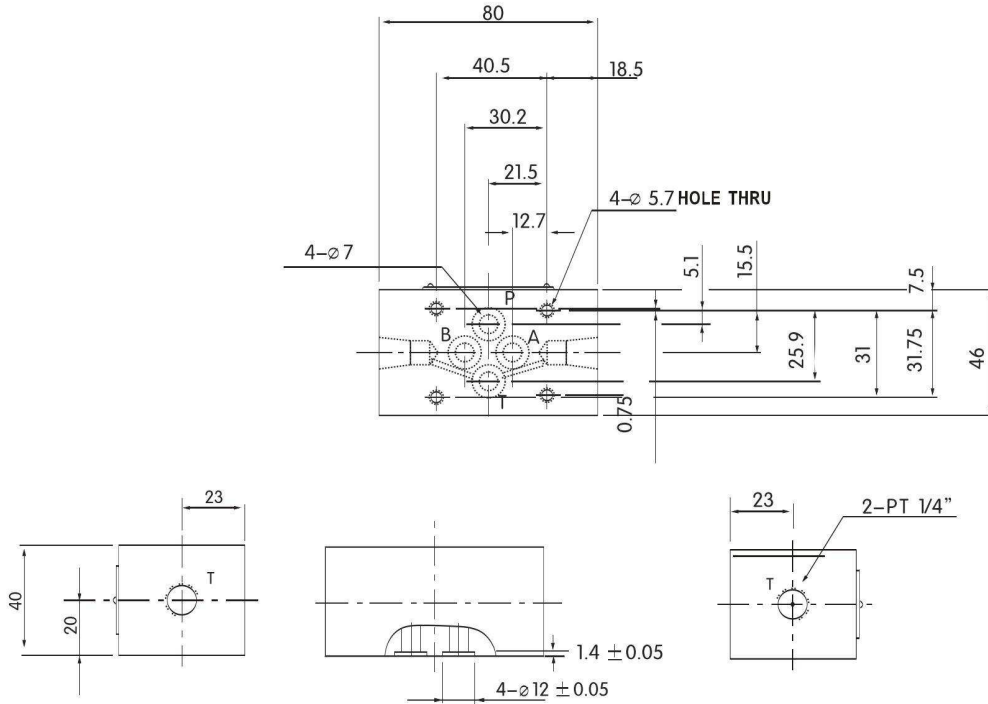
MGP-02



- 規格修改，本公司不另行通知
- Specification is subjected to change without notice.

Dimensions

MGT-02



MGW-02

