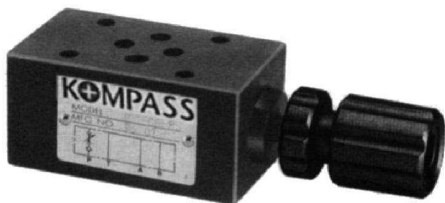
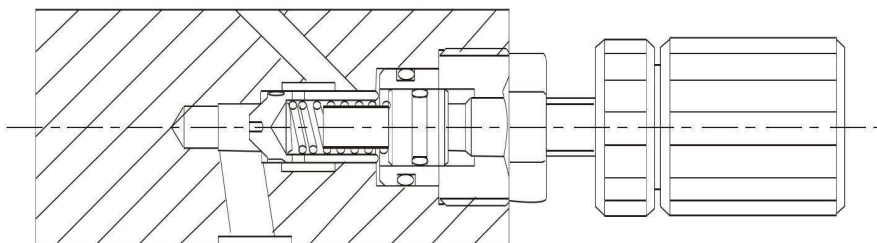


## MODULAR THROTTLE VALVES

### MSP-02 SERIES

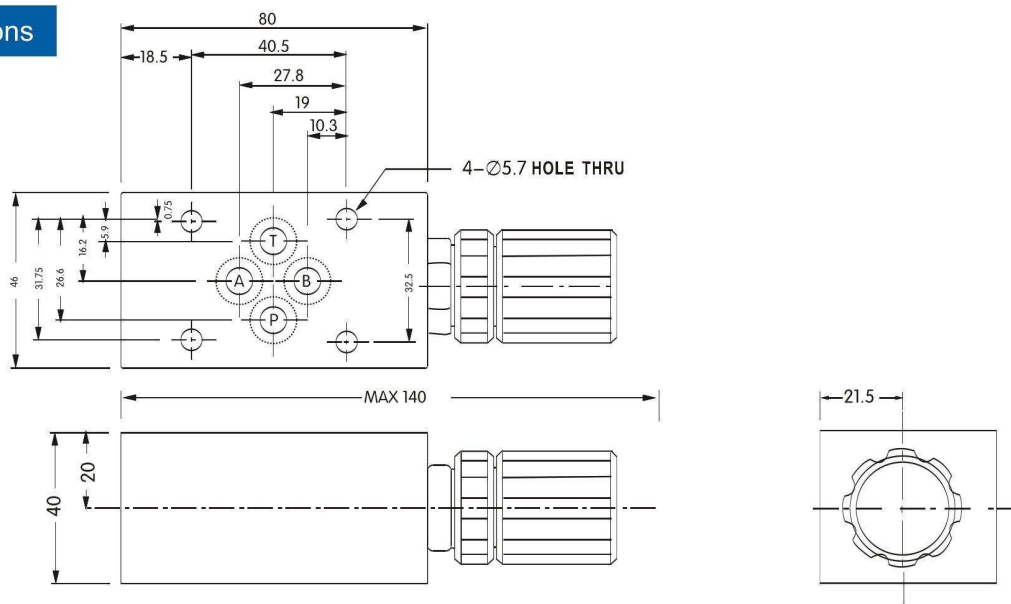


### CROSS-SECTIONAL CHARTS:

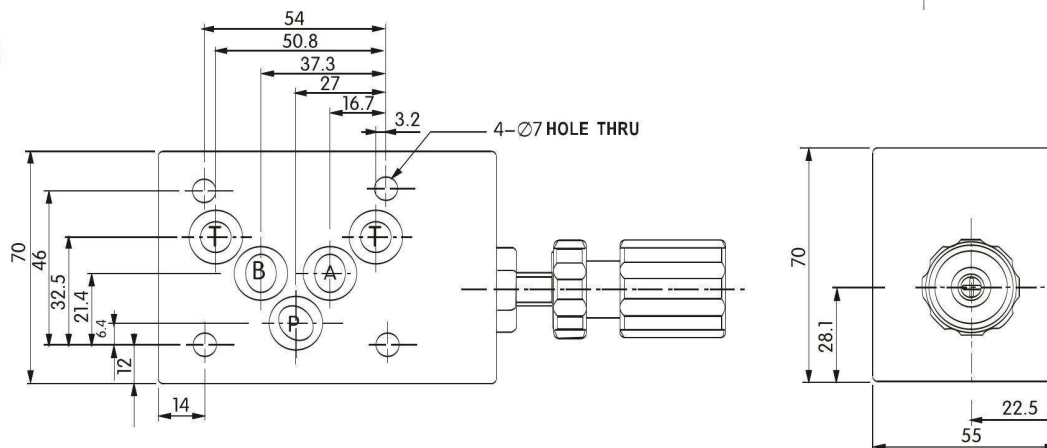


### Dimensions

#### MSP-02



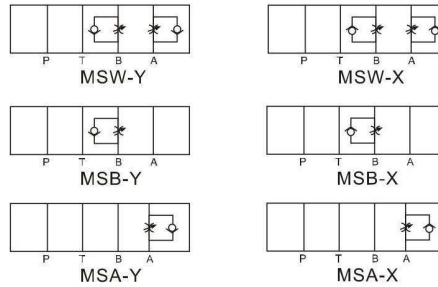
#### MSP-03



●規格修改，本公司不另行通知  
 ●Specification is subjected to change without notice.

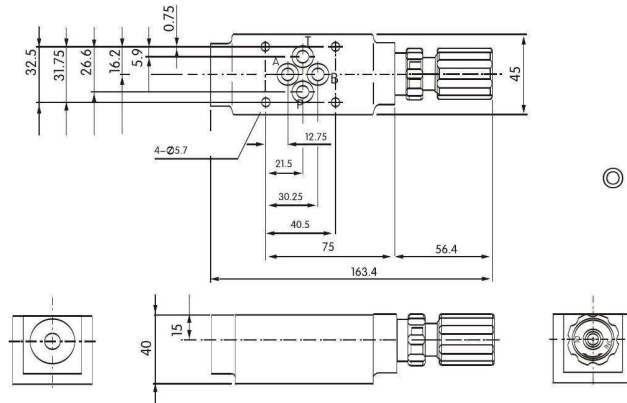
### MODULAR THROTTLE WITH CHECK VALVES

#### MS-02、03、04、06 SERIES



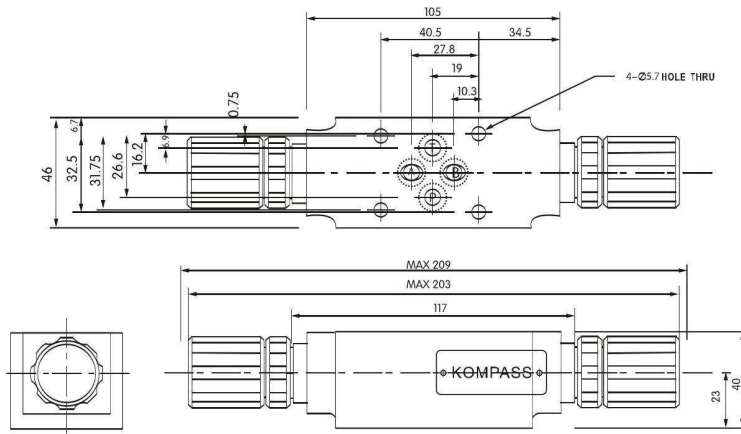
#### Dimensions

##### MSB-02



- © REMARKS: 1. THE PRESSURE ADJ. KNOB OF MSA-02 IS AT LEFT SIZE.  
2. THE PRESSURE ADJ. KNOB OF MSW-02 IS AT BOTH SIZE.

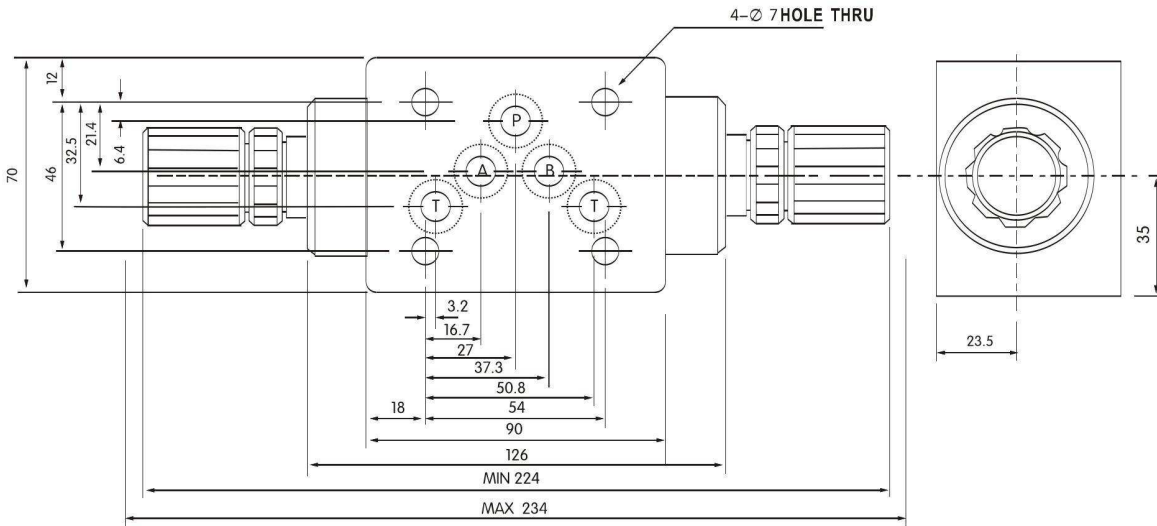
##### MSW-02



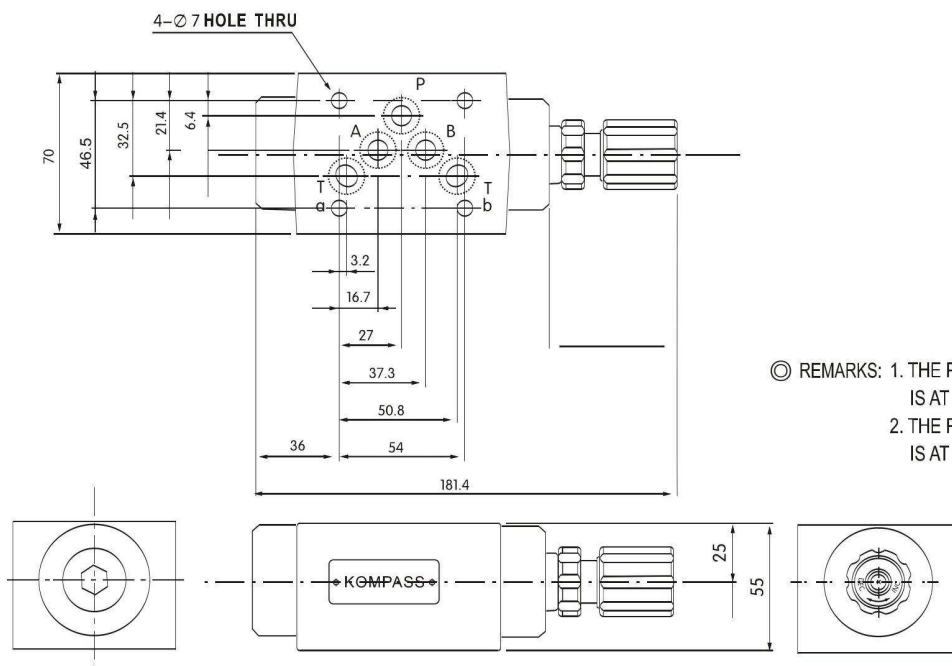
- 規格修改，本公司不另行通知
- Specification is subjected to change without notice.

## Dimensions

### MSW-03



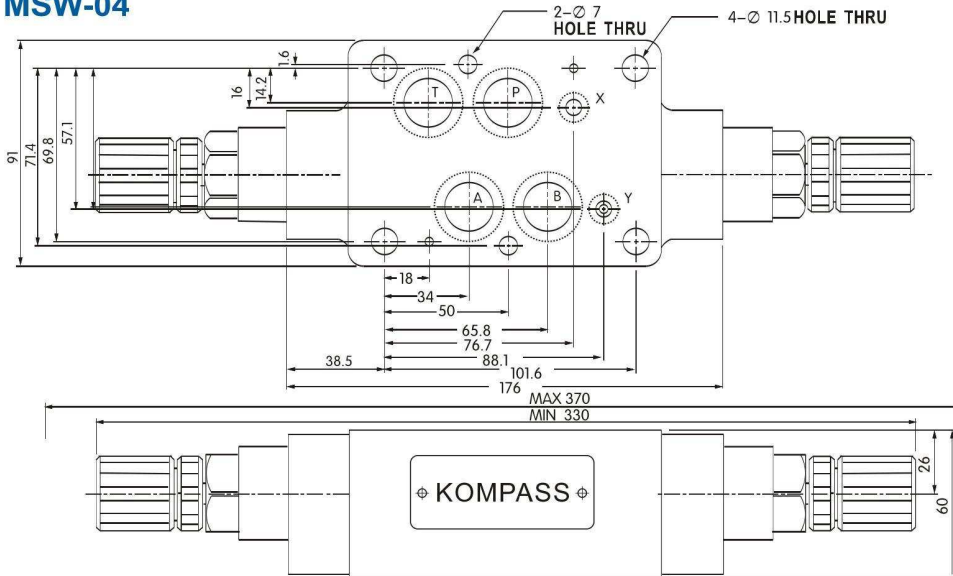
### MSB-03



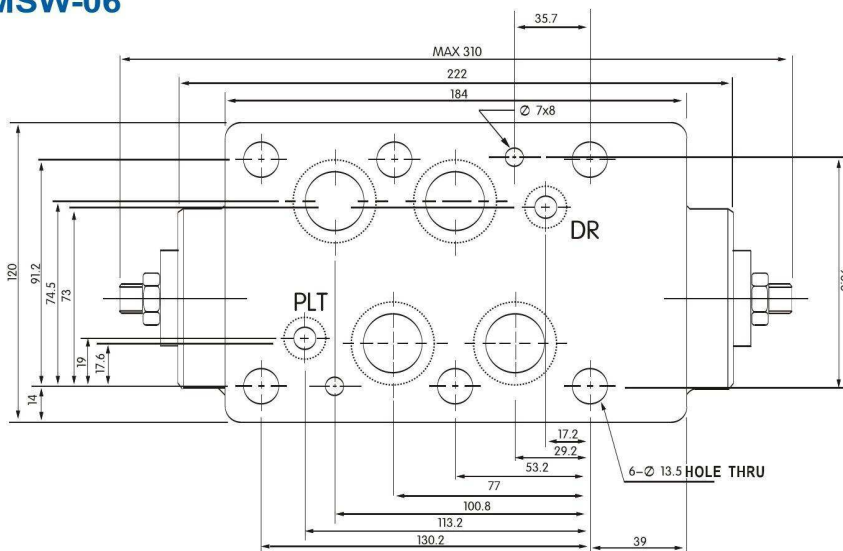
- ◎ REMARKS: 1. THE PRESSURE ADJ. KNOB OF MSA-03 IS AT LEFT SIZE.  
2. THE PRESSURE ADJ. KNOB OF MSW-03 IS AT BOTH SIZE.

### Dimensions

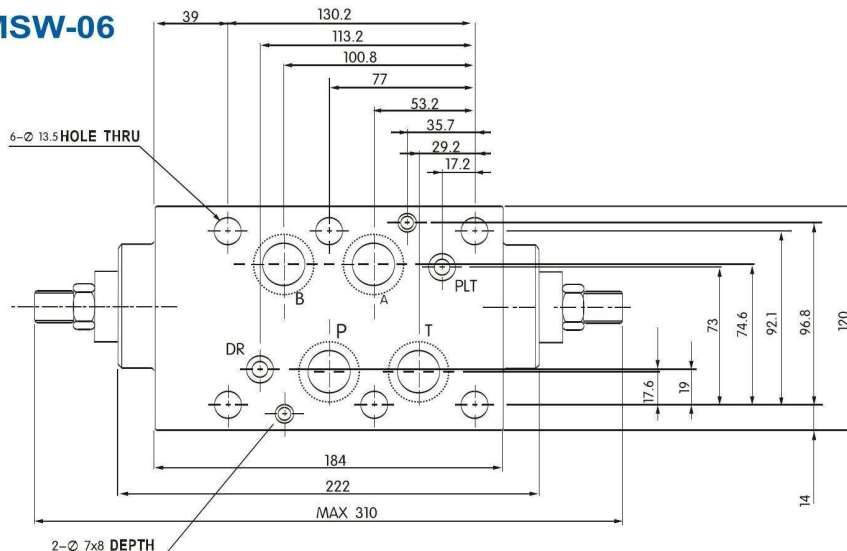
#### MSW-04



#### MSW-06



#### MSW-06



- © REMARKS: 1. THE PRESSURE ADJ. KNOB OF MSA-06 IS AT LEFT SIZE.  
2. THE PRESSURE ADJ. KNOB OF MSW-06 IS AT BOTH SIZE.