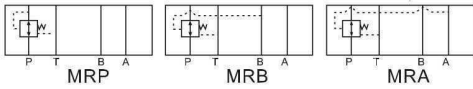
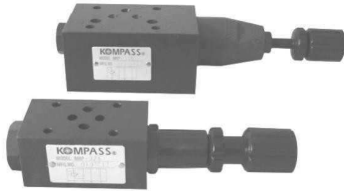


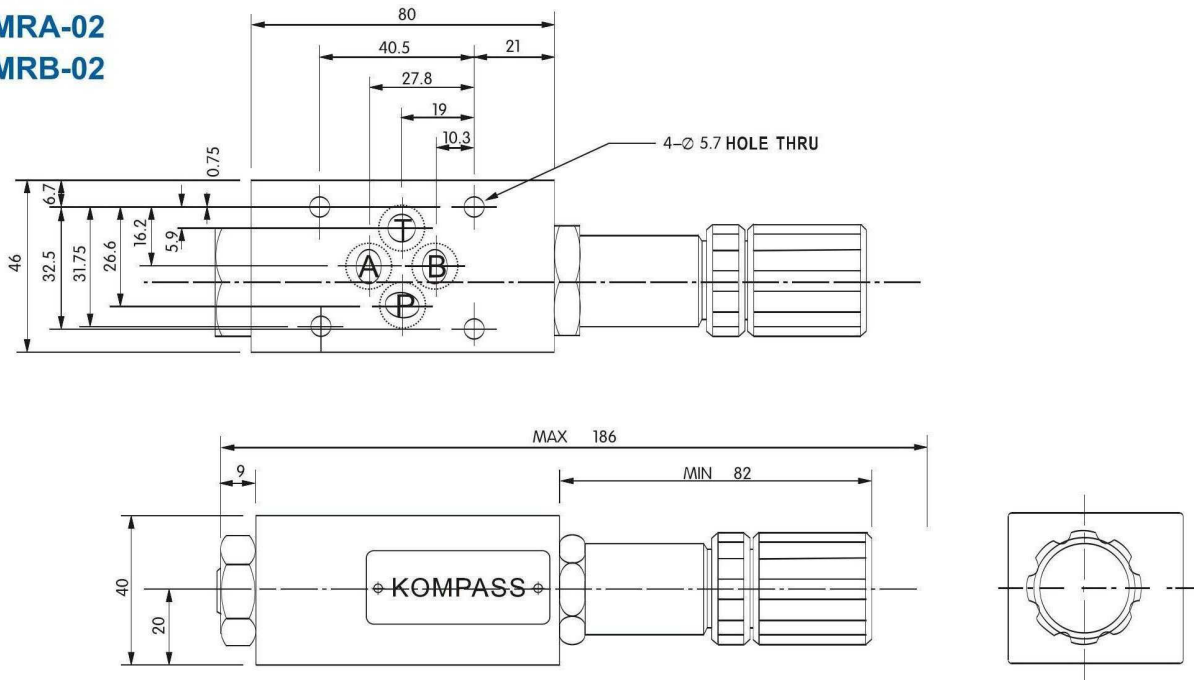
MODULAR REDUCING VALVES

MR※02、03、04、06 SERIES



Dimensions

- MRP-02**
- MRA-02**
- MRB-02**



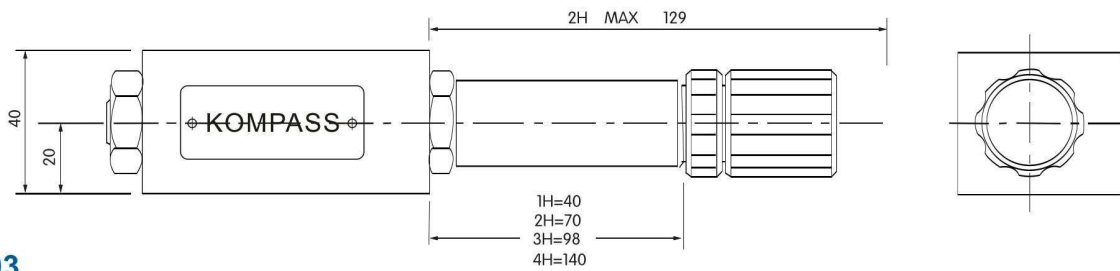
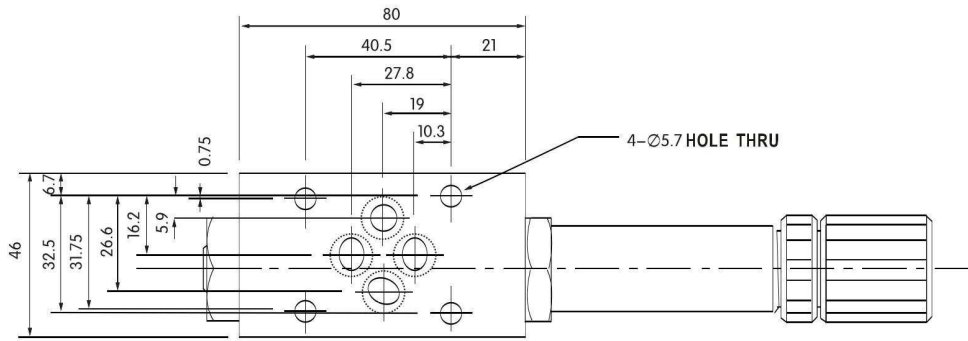
- 規格修改，本公司不另行通知
- Specification is subjected to change without notice.

Dimensions

MRP-02--2H(LONG KNOB)

MRA-02--2H

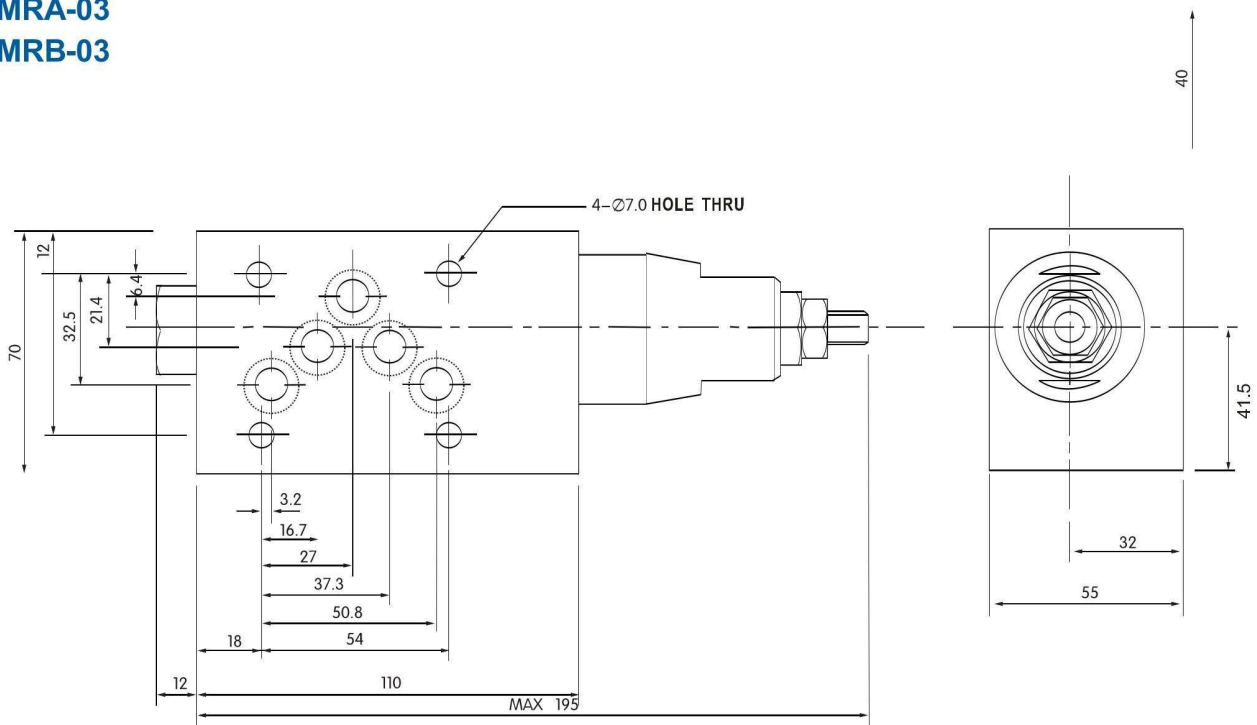
MRB-02--2H



MRP-03

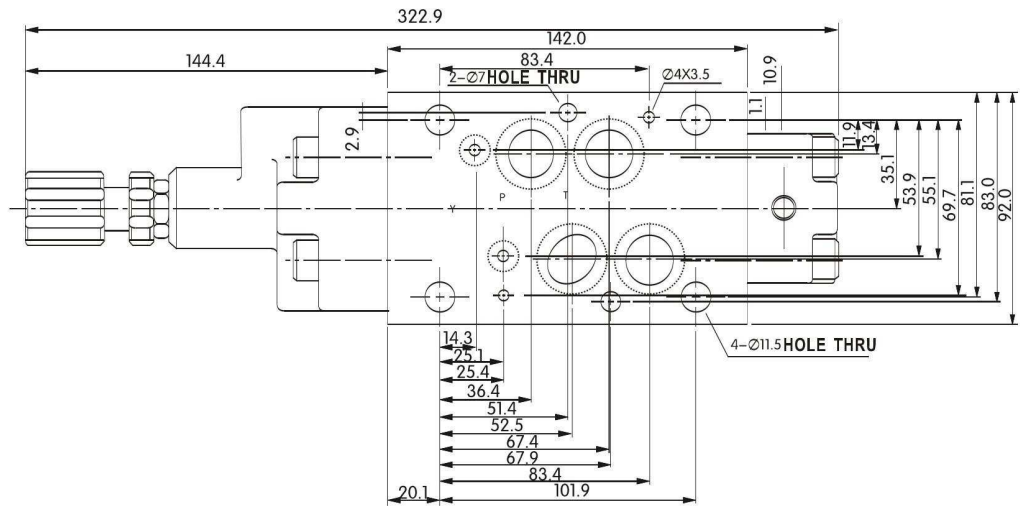
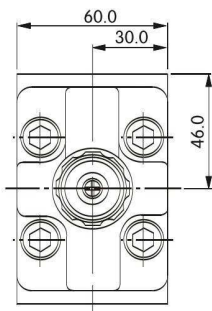
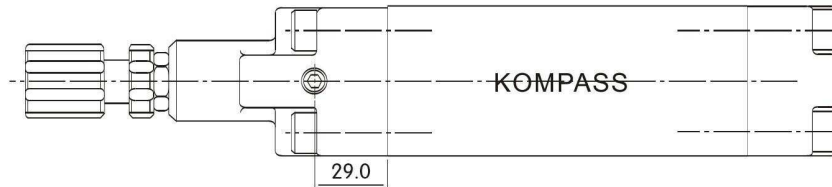
MRA-03

MRB-03

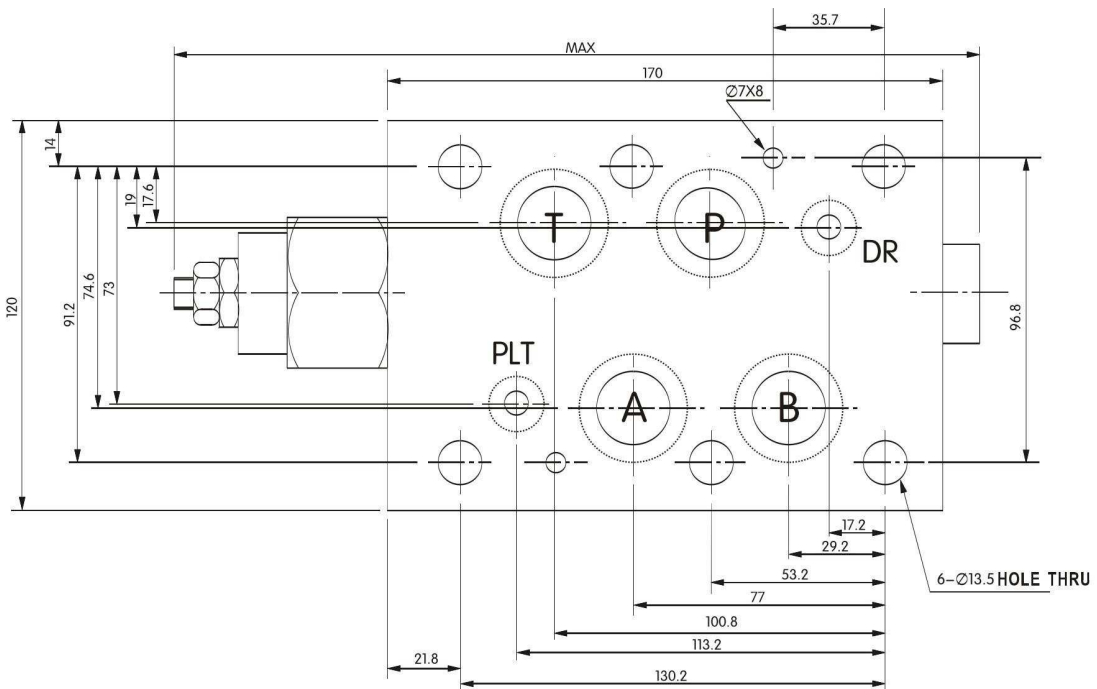


Dimensions

**MRP-04
MRA-04
MRB-04**



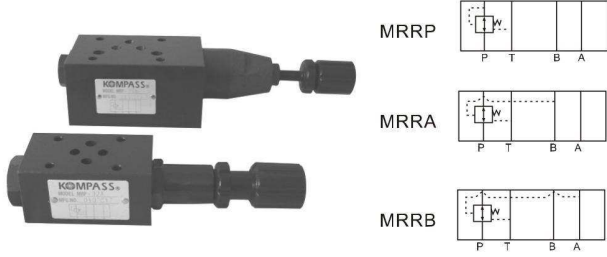
**MRP-06
MRA-06
MRB-06**



●規格修改，本公司不另行通知
●Specification is subjected to change without notice.

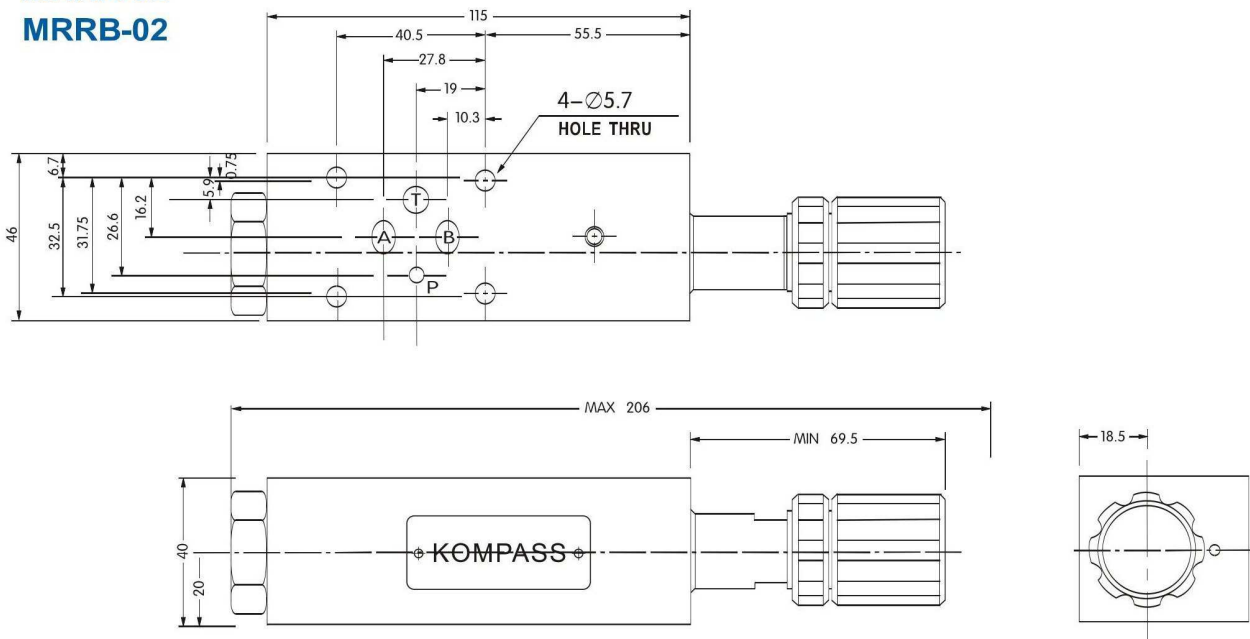
MODULAR RELIEF VALVES (PILOT TYPE)

MRR※-02,03 SERIES



Dimensions

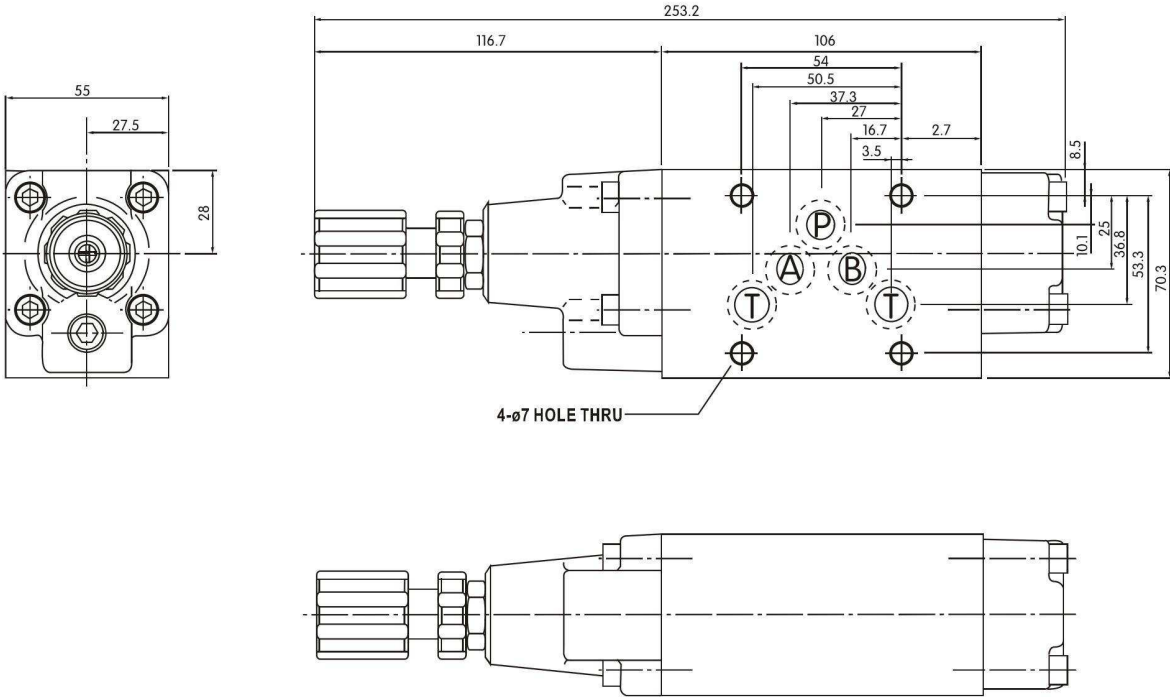
MRRP-02
MRRA-02
MRRB-02



- 規格修改，本公司不另行通知
- Specification is subjected to change without notice.

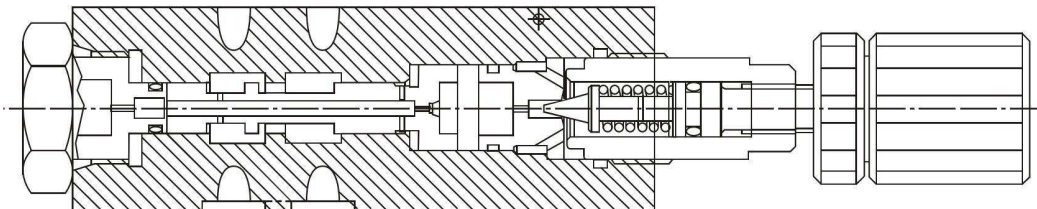
Dimensions

- MRRP-03
- MRRA-03
- MRRB-03



CROSS-SECTIONAL CHARTS:

- MRR※-02



- 規格修改，本公司不另行通知
- Specification is subjected to change without notice.