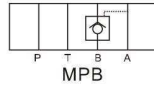
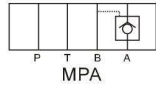
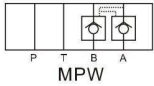


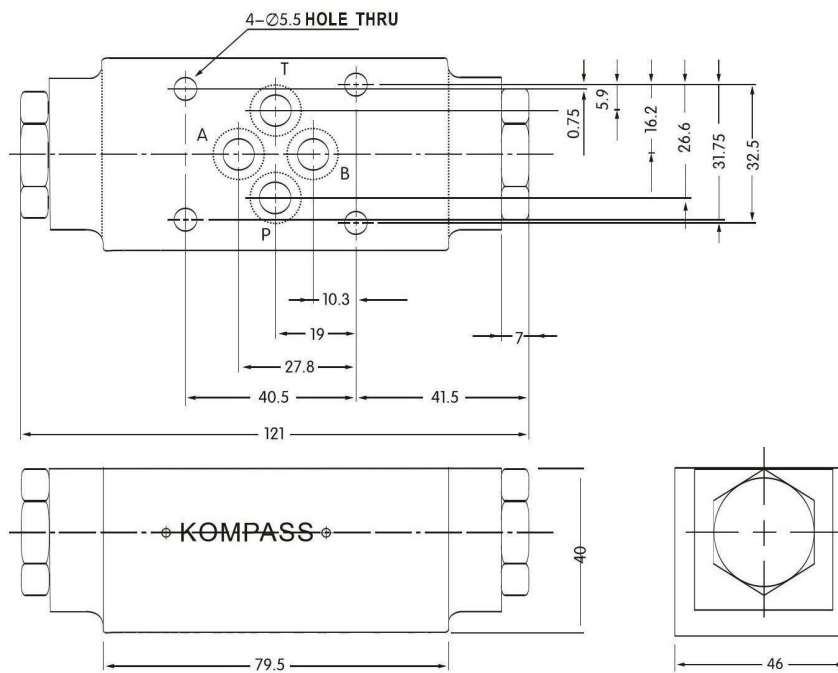
MODULAR CHECK VALVES

MP※-02、03、04、06 SERIES



Dimensions

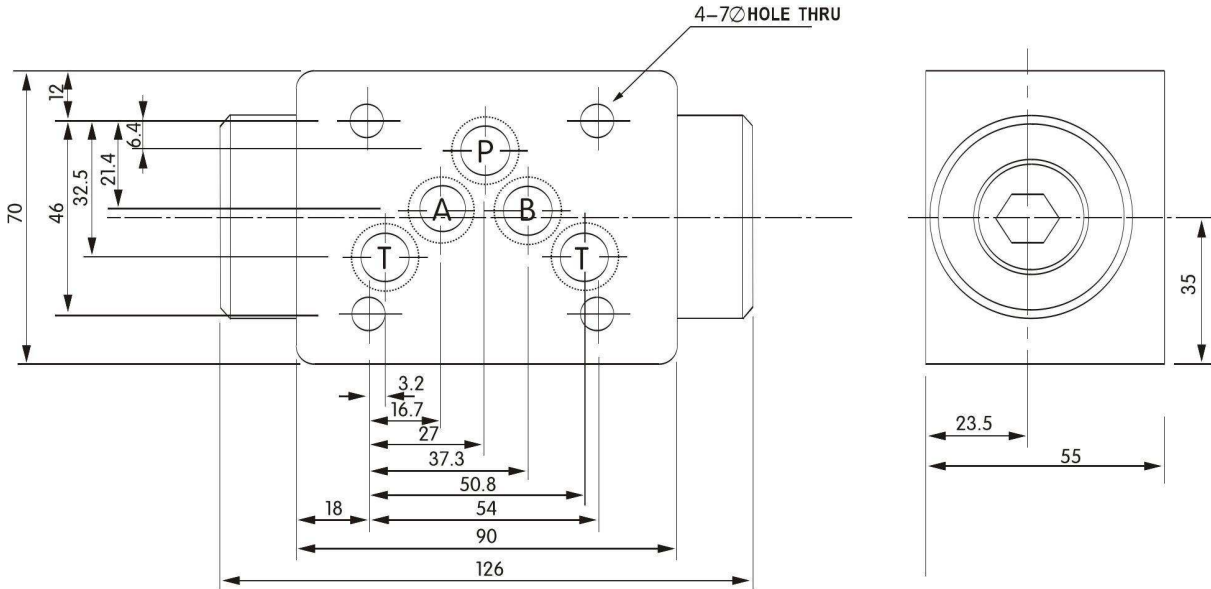
MP※-02



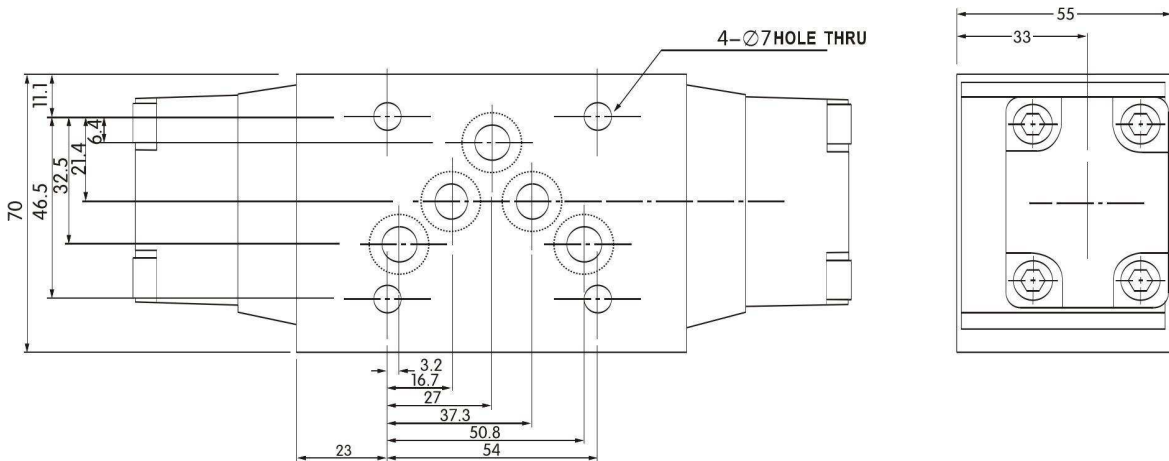
- 規格修改，本公司不另行通知
- Specification is subjected to change without notice.

Dimensions

MP※-03



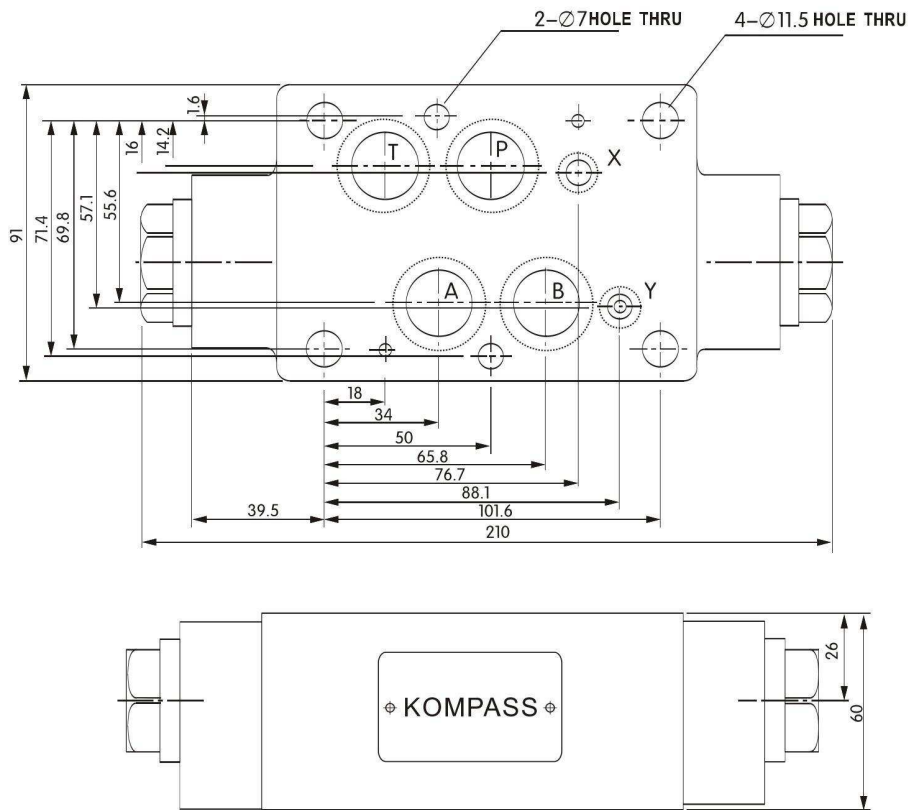
MPD※-03(DOUBLE)



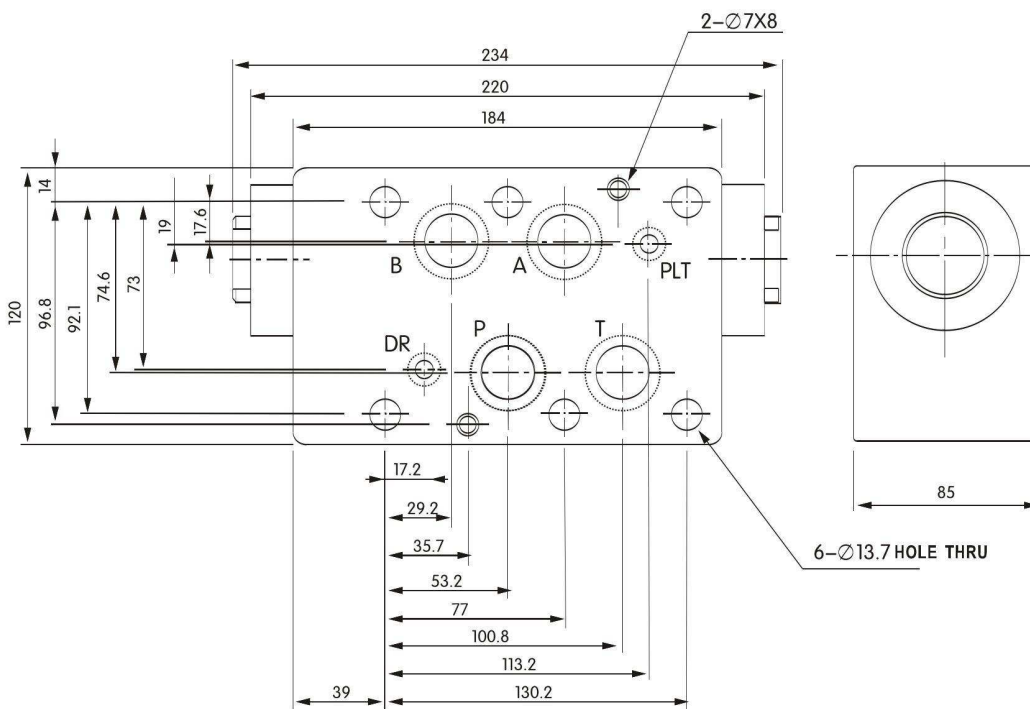
- 規格修改，本公司不另行通知
- Specification is subjected to change without notice.

Dimensions

MP※-04



MP※-06



●規格修改，本公司不另行通知
●Specification is subjected to change without notice.