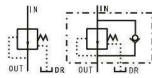


REDUCING VALVES (WITH CHECK VALVES)

R(C)G , R(C)T SERIES



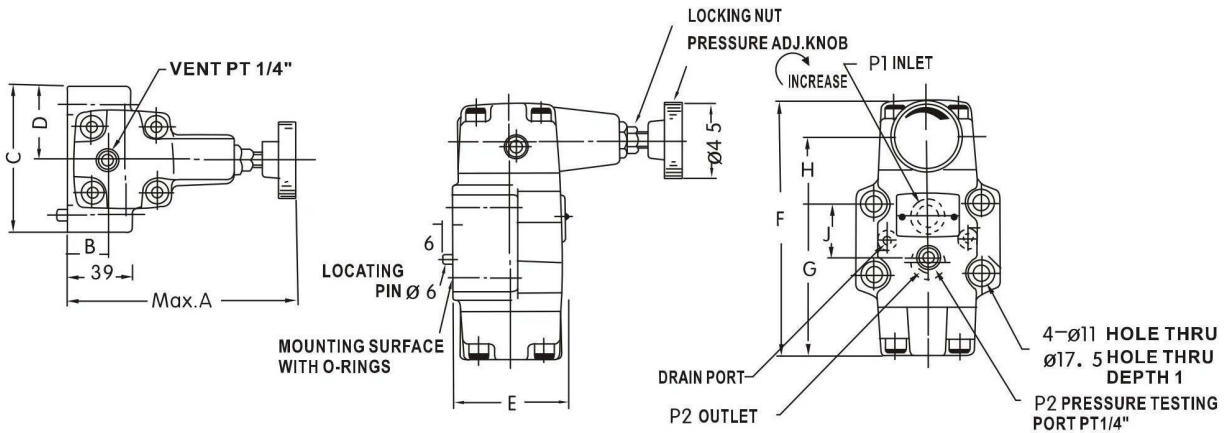
FEATURE:

1. Pressure which is lower than main system pressure, can be obtained by setting reducing valve, Its pilot port can be applied to remote control.
2. The unrestricted working fluid of RCG or RCT type flows in reverse direction from 2nd to 1st pressure port because of internal check valve.
3. Mounting surface is made to ISO 5781 standard.

Dimensions

RG-03、06

Mounting Surface : ISO 5781 standard

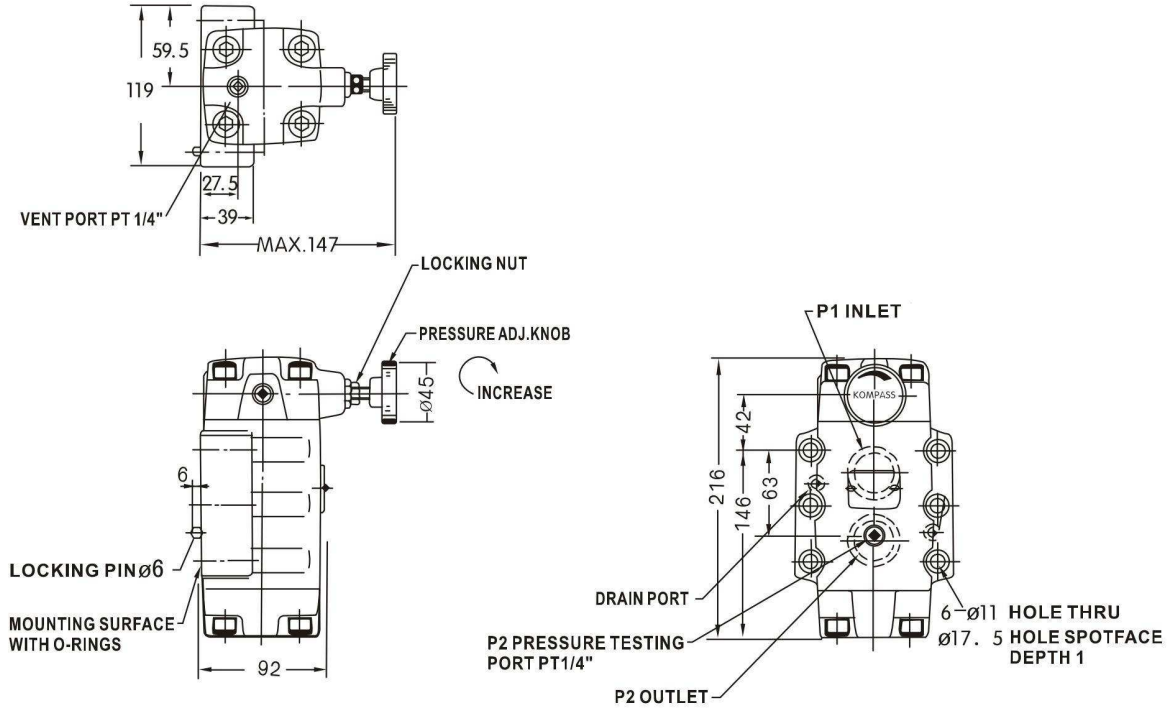


MODEL	A	B	C	D	E	F	G	H	J
RG-03	142	25	89	44.5	67	155.5	92.4	40.6	34.9
RG-06	141	21.5	102	51	79	179	111	40	48

Dimensions

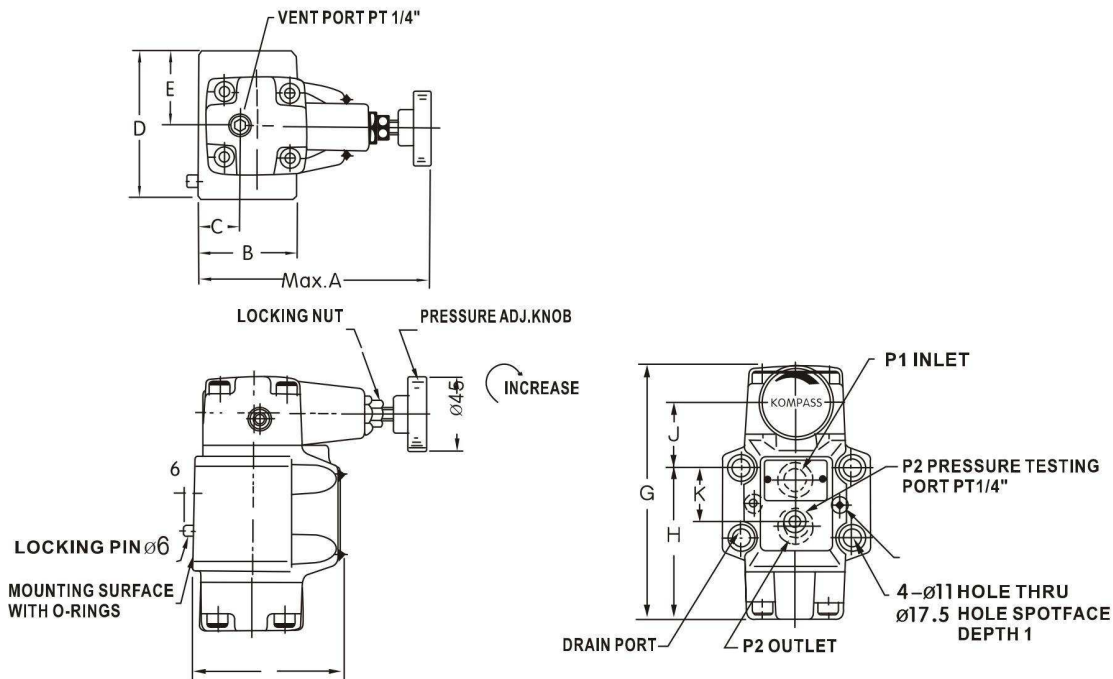
Mounting Surface : ISO 5781 standard

RG-10



RCG-03、06

Mounting Surface : ISO 5781 standard



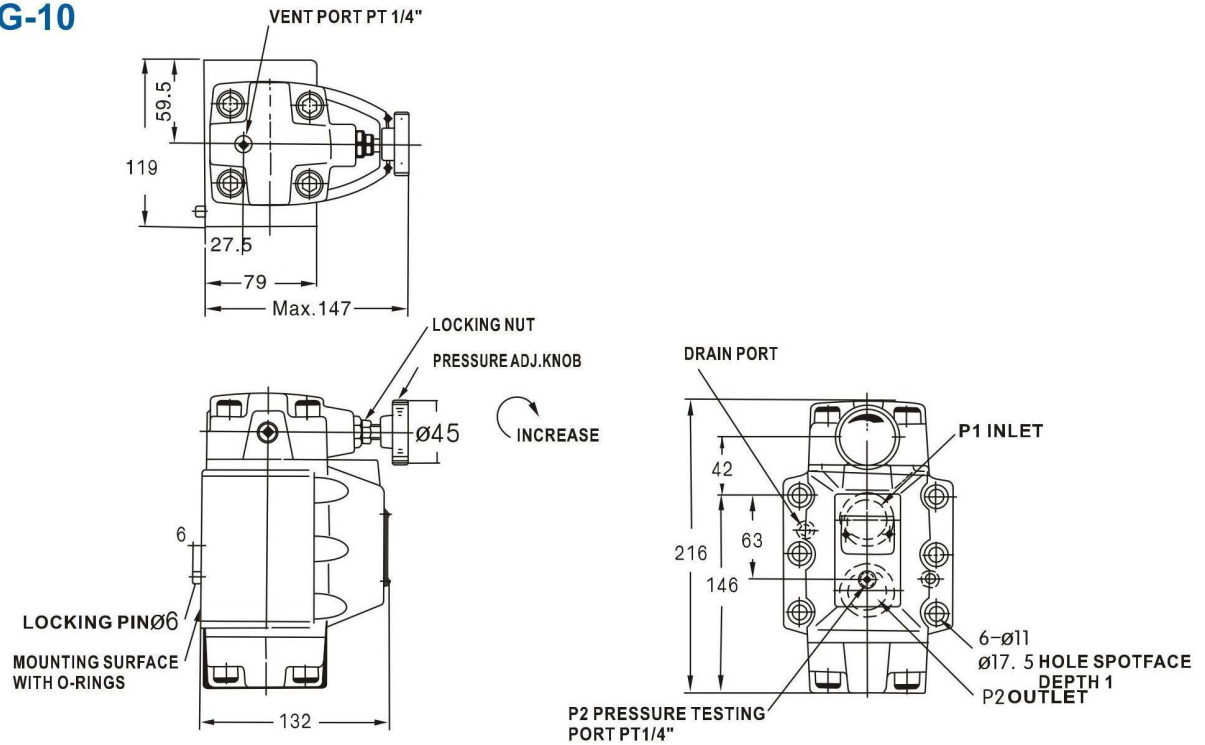
MODEL	A	B	C	D	E	F	G	H	J	K
RG-03	142	59	25	89	44.5	90	155.5	92.4	40.6	34.9
RG-06	141	69	21.5	102	51	108	179	111	40	48

●規格修改，本公司不另行通知
 ●Specification is subjected to change without notice.

Dimensions

Mounting Surface : ISO 5781 standard

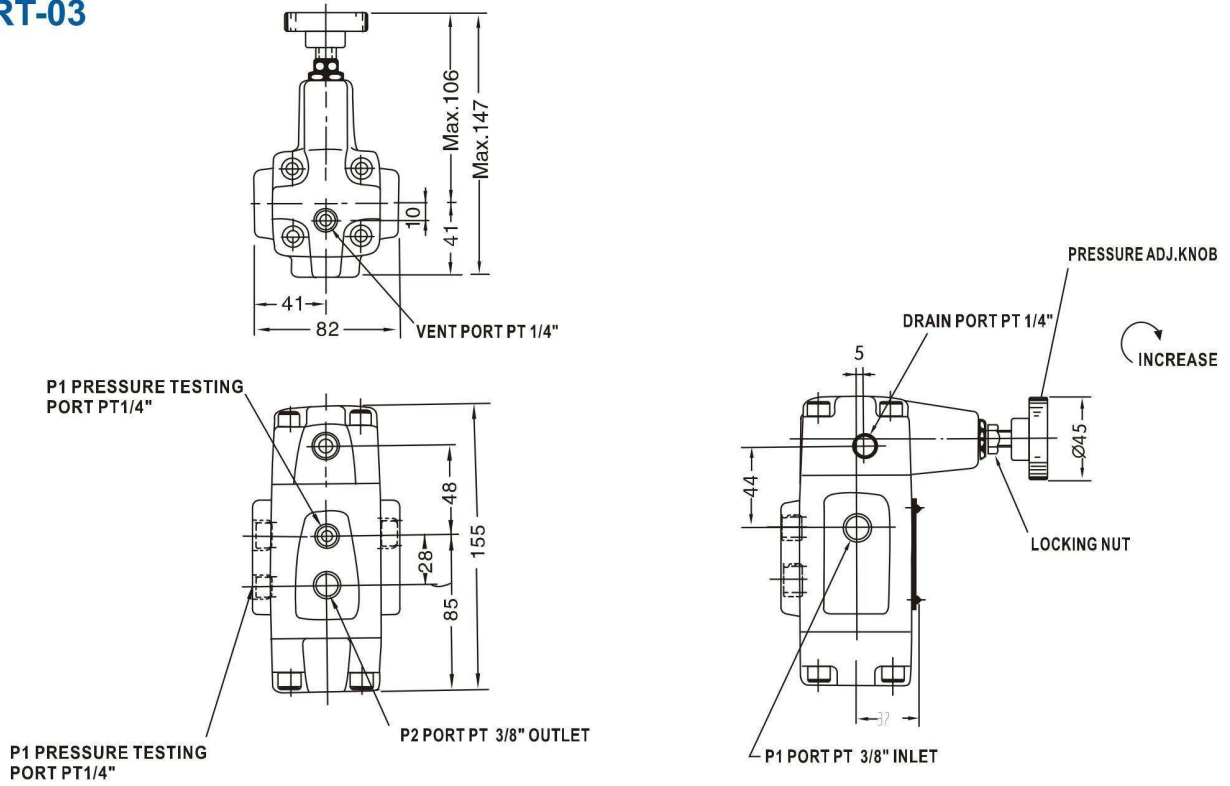
RCG-10



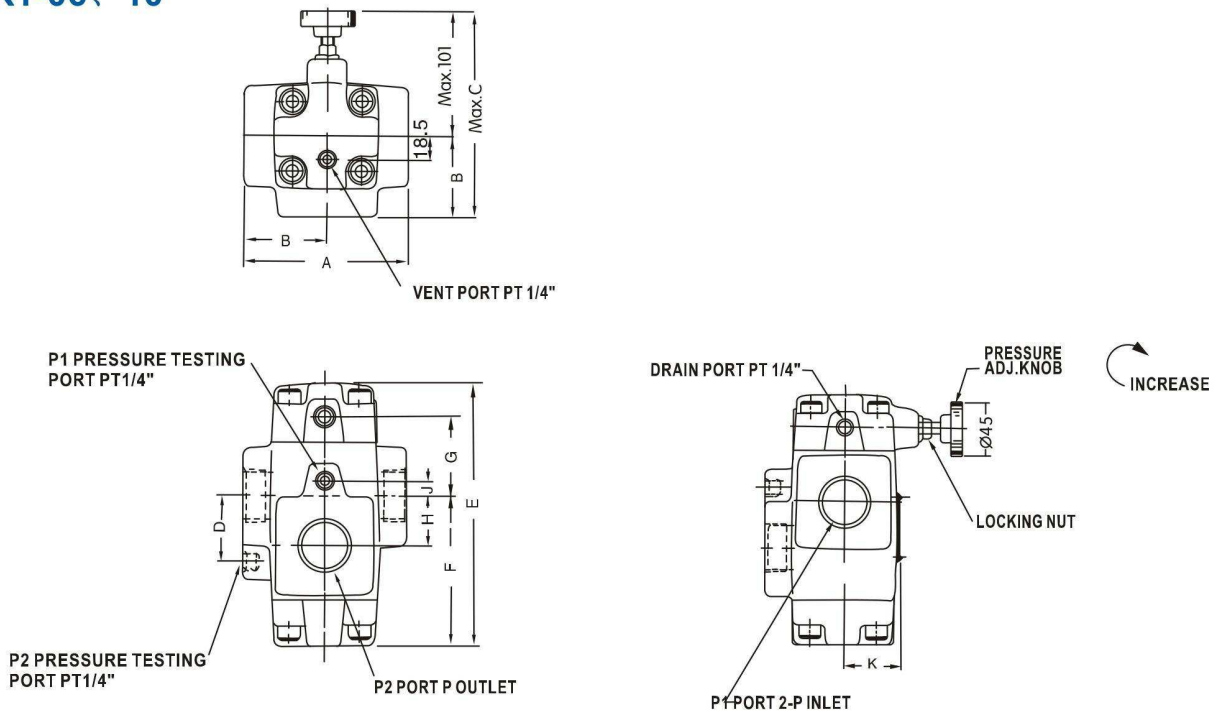
Dimensions

(REMARK :There are 1st pressure ports for RCT RT type, One port can be inlet and other can be outlet, or one port of them can be plugged.)

RT-03



RT-06、 10



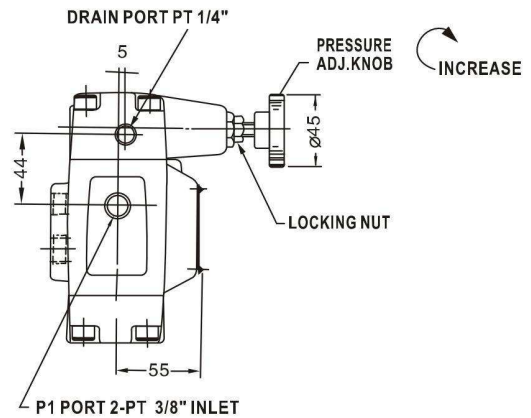
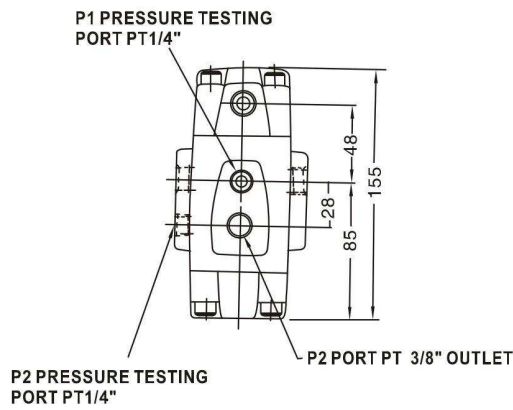
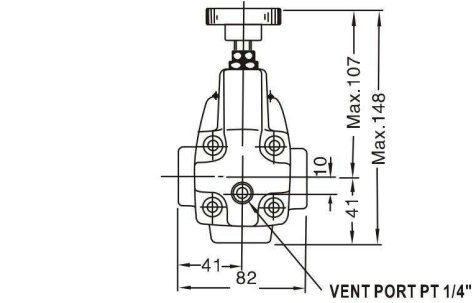
MODEL	A	B	C	D	E	F	G	H	J	K	P
RT-06	96	48	149	42	179	97.5	53.5	33	9	39	3/4 "
RT-10	132	66	167	52	216	124	64	40	12	46	1 1/4 "

REDUCING VALVES (WITH CHECK VALVES)

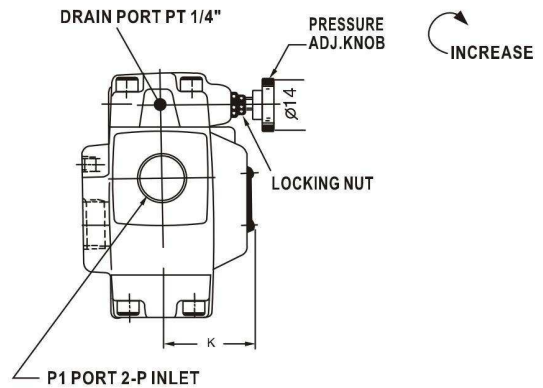
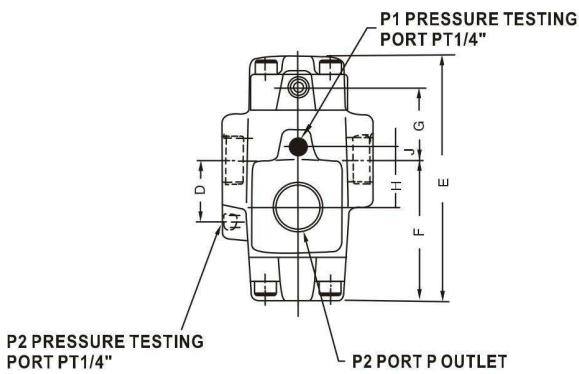
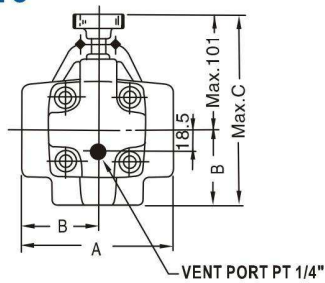


Dimensions

RCT-03



RCT-06、10



MODEL	A	B	C	D	E	F	G	H	J	K	P
RCT-06	96	48	149	42	179	97.5	53.5	33	9	68	3/4"
RCT-10	132	66	167	52	216	124	64	40	12	86	1 1/4"

●規格修改，本公司不另行通知
 ●Specification is subjected to change without notice.