

# PILOT OPERATED RELIEF VALVES ( LO-NOISE TYPE )



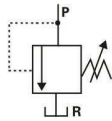
## PILOT OPERATED RELIEF VALVES ( LO-NOISE TYPE )

### SBG SERIES



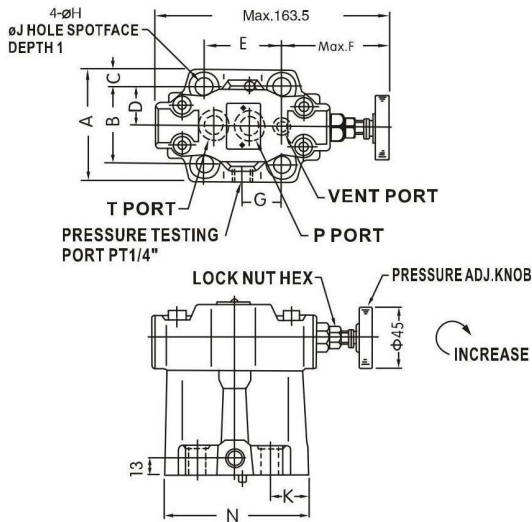
#### FEATURE:

1. Because of low noise design machine operates stably and smoothly.
2. This valve is able to preselect maximum pressure of pump and control valves, and prevent them to be damaged by over loaded pressure.
3. Vent port can be connected to DG(DT)-01 type to remotely control or unload system pressure.
4. Mounting surface is made to ISO 6264 standard.



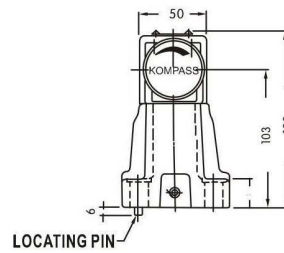
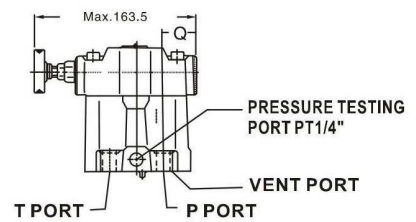
#### Dimensions

### SBG-03、06-※-R ( STANDARD )



#### Mounting Surface : ISO 6264

### SBG-03、06-※-L



MODEL	A	B	C	D	E	F	G	H	J	K	N	P	Q
SBG-03	79	53.8	115	57	78	73.6	26.9	13.5	21	26.1	106	21.5	36.1
SBG-06	99	70	14	35	66.7	75.5	33	17.5	26	36	125	26	38
SBG-10	127	82.6	22.2	41.3	89	75.5	44.5	21.5	32	45.5	155	36	40.5

- 規格修改，本公司不另行通知
- Specification is subjected to change without notice.