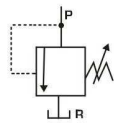


PILOT OPERATED RELIEF VALVES

BG SERIES



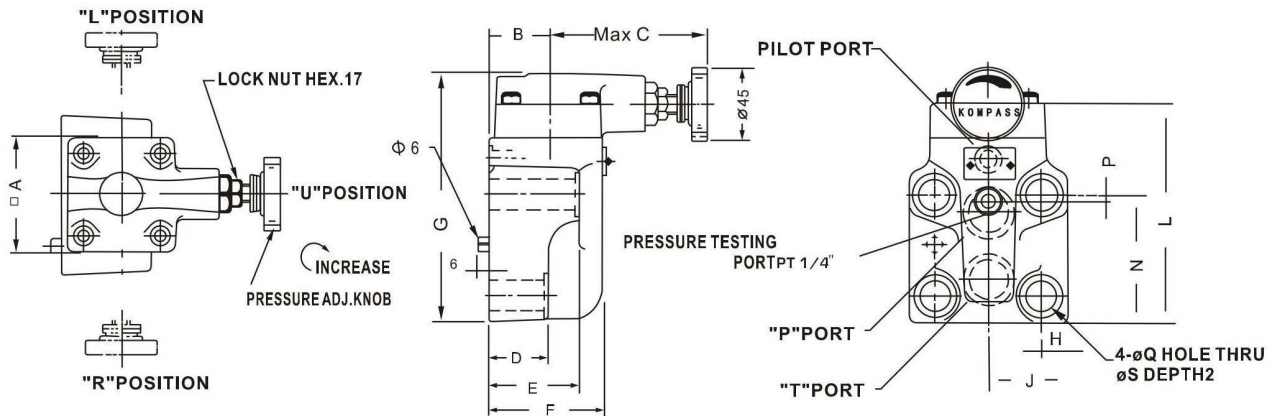
FEATURE:

1. This valve is able to preselect maximum pressure of pump and control valves, and prevent them to be damaged by over loaded pressure.
2. Vent port can be connected to DG(DT)-01 type to remotely control or unload system pressure.
3. Mounting surface is made to ISO 6264 standard.

Dimensions

BG-03、06、10

Mounting Surface : ISO 6264 standard



MODEL	A	B	C	D	E	F	G	H	J	K	L	N	P	Q	S
BG-03	75	40	115	57	78	78	139	14.1	41	82	117	77	22	13.5	21
BG-06	75	40	115	40	60	78	164	17	52	104	141	83.5	4.5	17.5	26
BG-10	85	45	101	47	67	87.5	197	20.7	62	124	175	110	6	21.5	32

PILOT OPERATED RELIEF VALVES (THREAD TYPE)

BT SERIES

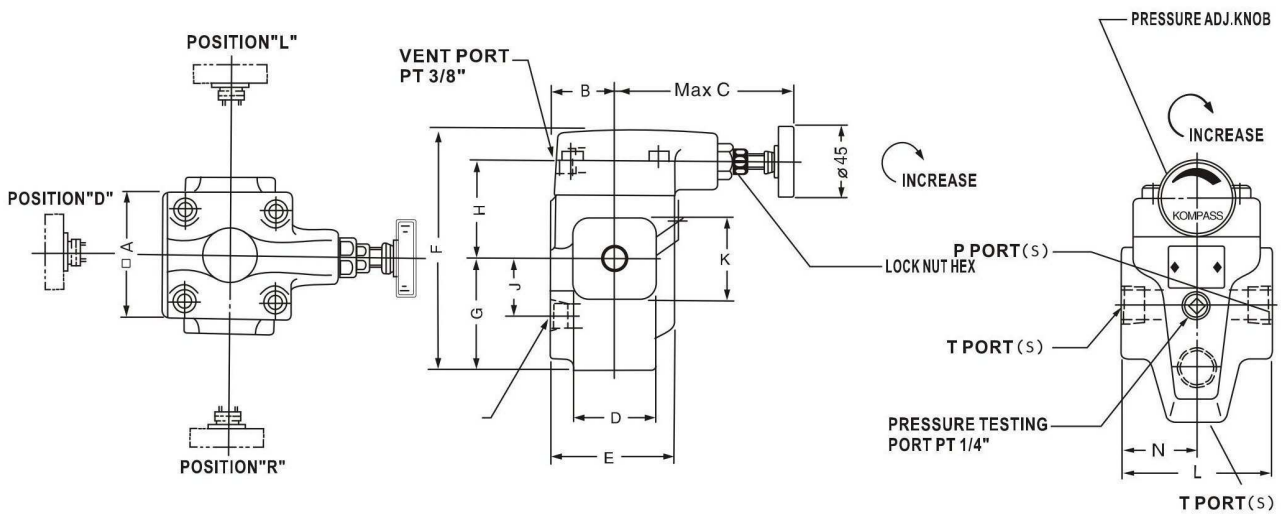


FEATURE:

- 1.This valve is able to preselect maximum pressure of pump and control valves, and prevent them to be damaged by over loaded pressure.
- 2.Vent port to be connected to DG(DT)-01 type to remotely control or unload system pressure.

Dimensions

BT-06、10



MODEL	A	B	C	D	E	F	H	J	K	L	N	Q	S
BT-06	75	40	105	52	78	150.5	68.5	62	36	52	90	45	PT 3/4 "
BT-10	85	50	101	80	96	183	89	74	49	80	120	60	PT 1 1/4 "

© REMARKS: 1.Pressure adj. Knob can be 360° -turned optionally. For details please see Dimensions.

2.There are two 1st pressure ports for BT or BHT type. One port can be inlet and another one can be out let; or one of them can be plugged.