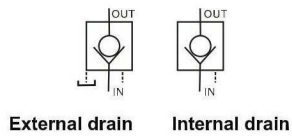


CHECK VALVES

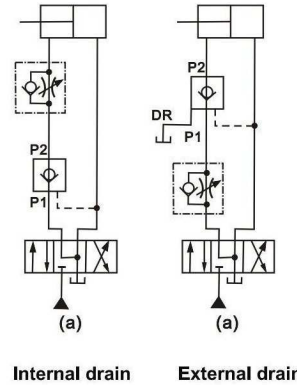
CPDG、CPDT、CPDF Series



Feature:

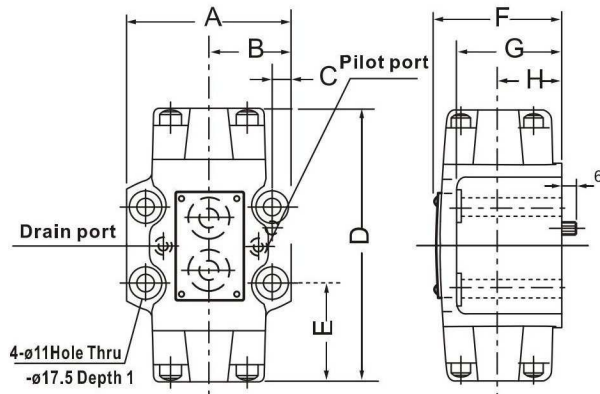
1. Except same function as non-return check valves, blocking flow in a given direction but permitting unrestricted flow in opposite direction, internal poppet beside outlet can be also opened to permit flow in given direction by piloted pressure.
2. Finley pressing, keep pressure stable.
3. Can be used as small prefill valves.
4. Suitable for vertical plastic injection-moulding machine and press machine etc.

Applications:



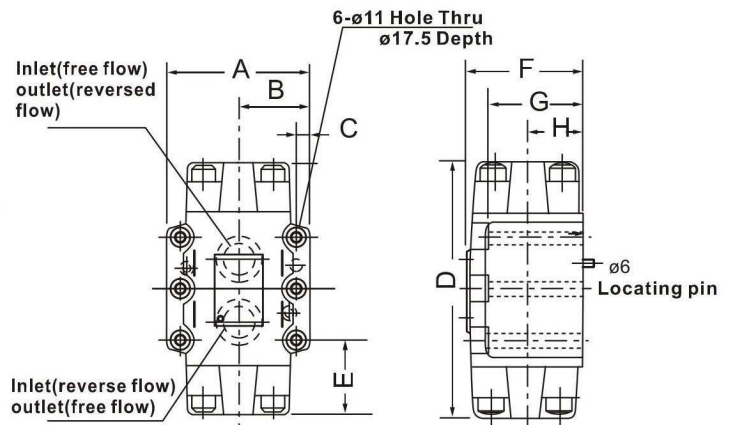
Dimensions

CPDG-03、06



Mounting Surface : ISO 4401 standard

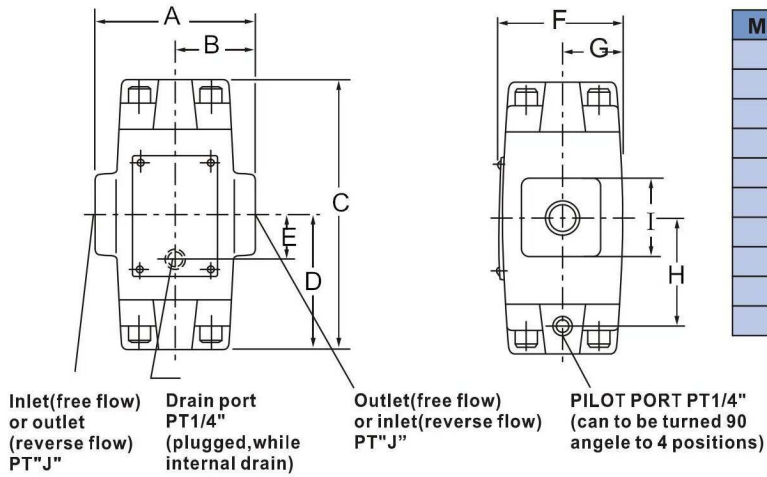
CPDG-10



MODEL	A	B	C	D	E	F	G	H
CPDG-03	89	44.5	11.1	150	50.6	68	59	35
CPDG-06	102	51	11.3	174	54	80	69	40
CPDG-10	119	57.1	11.1	210	62	93	79	46

Dimensions

CP(D)T-03、06、10、CPDF-16



MODEL	CP※T-03	CP※T-06	CP※T-10	CPDF-16
A	80	96	140	266
B	80	48	70	133
C	150	174	210	257
D	72	84	104	128
E	21	26	35	70
F	66	78	92	126
G	32	38	45	63
H	54	70	84	120
I	36	60	79	138
J	3/8 "	3/4 "	1 1/4 "	-