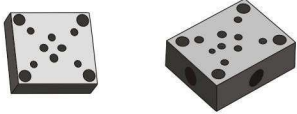
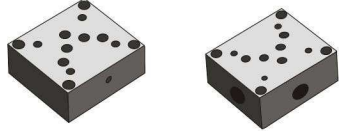


Base plate for solenoid valves

DSGM



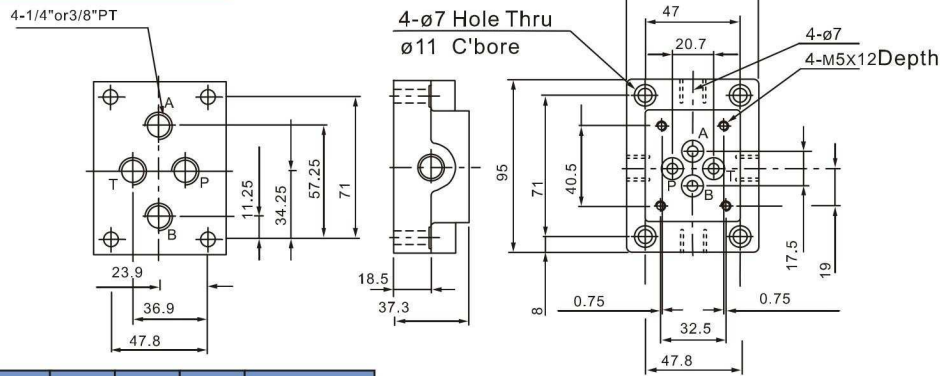
DSGM-02-02-B4 DSGM-02-02-S4



DSGM-03-03-B4 DSGM-03-03-S4

02(6 valve size) Base plates for solenoid valves

DSGM-02



MODEL \ PORT	PORT				WEIGHT
	P	T	B	A	
DSGM-02-02-B4*	B	B	B	B	1.1
DSGM-02-02-S3B1*	S	B	S	S	
DSGM-02-02-S4*	S	S	S	S	
DSGM-02-02-S2B2*	B	B	S	S	

Mounting Surface: ISO 4401 standard

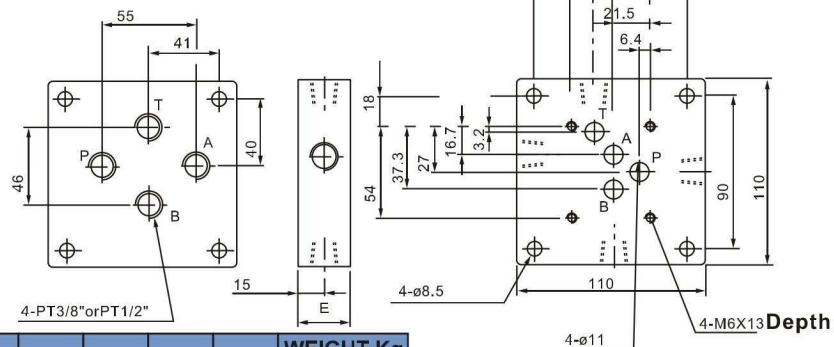
PORT SIZE: PT 3/8 " or PT 1/4 "

PORT POSITION: S=SIDE B=BOTTOM

※ SUITABLE THREAD PT, BSP & NPT

03(10 valve size) Base plates for solenoid valves

DSGM-03



MODEL \ PORT	PORT				WEIGHT Kg	
	P	T	B	A	E=30	E=40
DSGM-03-03-B4*	B	B	B	B	2.2	
DSGM-03-04-B4*	B	B	B	B	2.2	
DSGM-03-04-S3B1*	S	B	S	S		3.1
DSGM-03-04-S4*	S	S	S	S		3.1

Mounting Surface: ISO 4401 standard

PORT SIZE: PT 3/8 " or PT 1/2 "

PORT POSITION: S=SIDE B=BOTTOM

※ SUITABLE THREAD PT, BSP & NPT

How to order

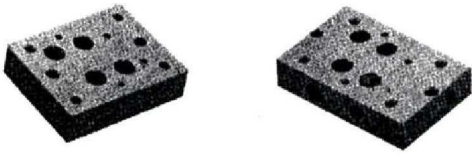
DSGM	-02	-02	-B4	-PT
Model No	Valve size	Port size	Port direction	Connected thread type
Base plates for solenoid valves	02 03	02:1/4 " 03:3/8 "	B4: 4 Ports in bottom S4: 4 Ports in side	PT: Standard BSP: Special NPT: Special SAE: Special

© Remarks: standard type are B4, S4 & PT for special, please tell us.

●規格修改，本公司不另行通知
●Specification is subjected to change without notice.

BASE PLATES FOR SOLENOID PILOT OPERATED DIRECTIONAL CONTROL VALVES

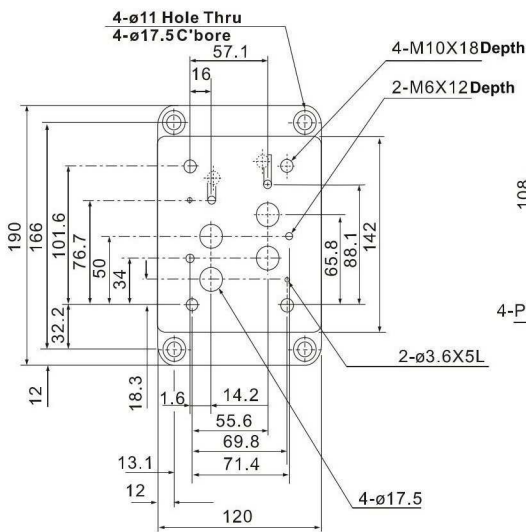
DSGM-04



DSGM-04-04-B4

DSGM-04-04-S4

04(16 valve size)Base plates for solenoid pilot operated directional control valves



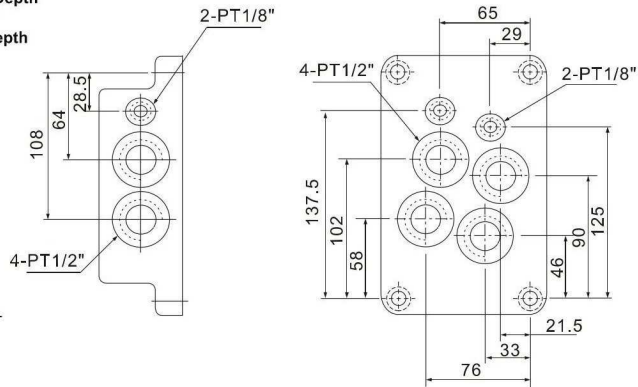
Mounting Surface : ISO 4401 standard

How to order:

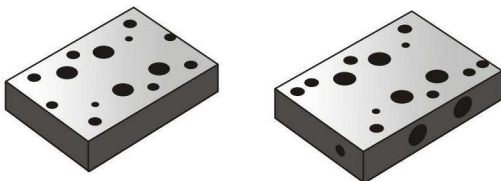
DSGM	-04	-04	-B4	-PT
MODEL NO	VALVE SIZE	PORT SIZE	PORT DIRECTION	CONNECTED THREAD TYPE
BASE PLATES FOR SOLENOID PILOT OPERATED DIRECTIONAL CONTROL VALVES	04 16 VALVE SIZE	02:1/4 " 06:3/4 "	B4:4 PORTS IN BOTTOM S4:4 PORTS IN SIDE	PT: STANDARD BSP: SPECIAL NPT: SPECIAL SAE: SPECIAL

◎ Remark: Standard types are B4,S4&PT for special types, please contact us.

Mounting Surface : ISO 4401 standard



DSGM-06



DSGM-06-06-B4

DSGM-06-06-S4

06(25 valve size)Base plates for solenoid pilot operated directional control valves

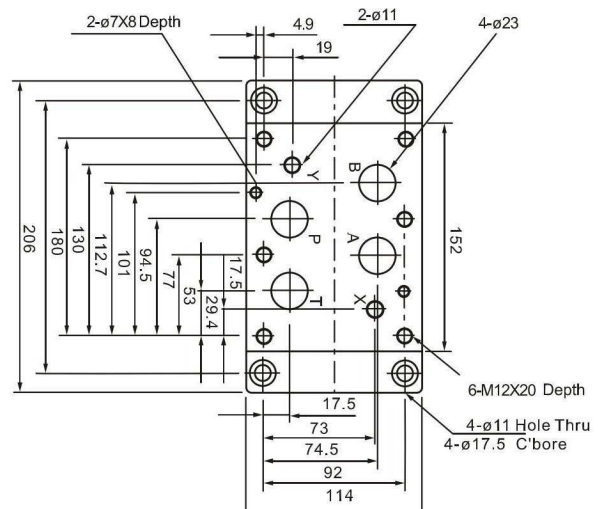
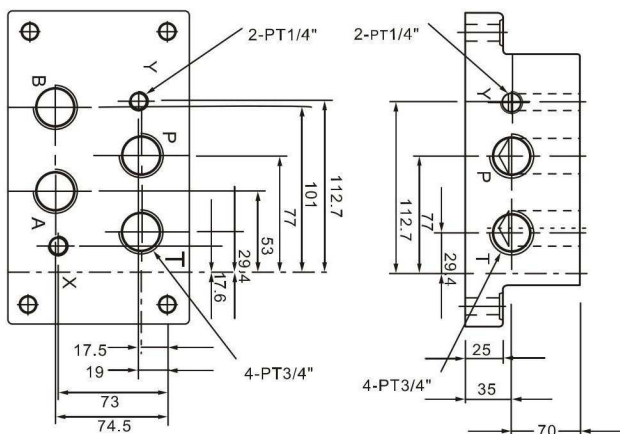
How to order:

DSGM	-06	-06	-B4	-B4
MODEL NO	VALVE SIZE	PORT SIZE	PORT DIRECTION	CONNECTED THREAD TYPE
BASE PLATES FOR SOLENOID PILOT OPERATED DIRECTIONAL CONTROL VALVES	06 25 VALVE SIZE	06:3/4 "	B4:4 PORTS IN BOTTOM S4:4 PORTS IN SIDE	PT: STANDARD BSP: SPECIAL NPT: SPECIAL SAE: SPECIAL

◎ Remark: Standard types are B4,S4&PT for special types, please contact us.

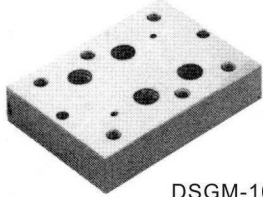
Mounting Surface : ISO 4401 standard

DSGM-06



BASE PLATES FOR SOLENOID PILOT OPERATED DIRECTIONAL CONTROL VALVES

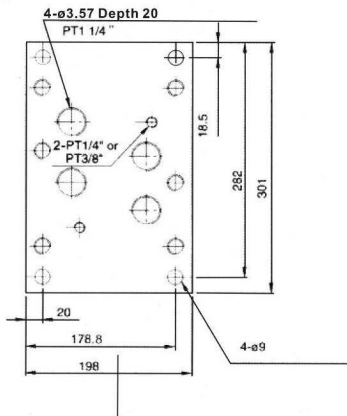
DSGM-10



DSGM-10-10-B4

10(32 valve size) Base plates for solenoid pilot operated directional control valves

DSGM-10



© General screw BSP&NPT

How to order:

DSGM	-10	-10	-B4	-PT
MODEL NO	VALVE SIZE	PORT SIZE	PORT DIRECTION	CONNECTED THREAD TYPE
BASE PLATES FOR SOLENOID PILOT OPERATED DIRECTIONAL CONTROL VALVES	10 32 VALVE SIZE	10:1 1/4"	B4:4 PORTS IN BOTTOM	PT: BSP: STANDARDSPECIAL NPT: SAE: SPECIAL SPECIAL

Mounting Surface : ISO 4401 standard

