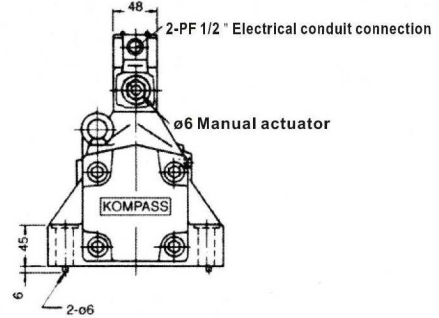
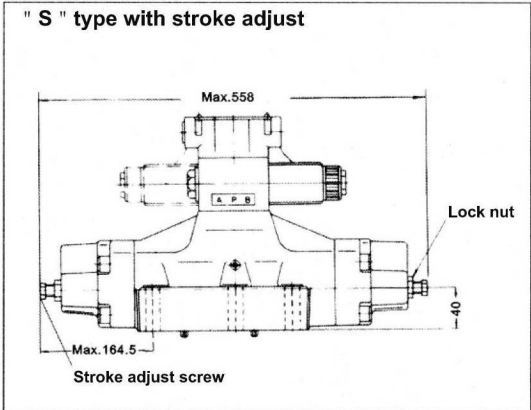
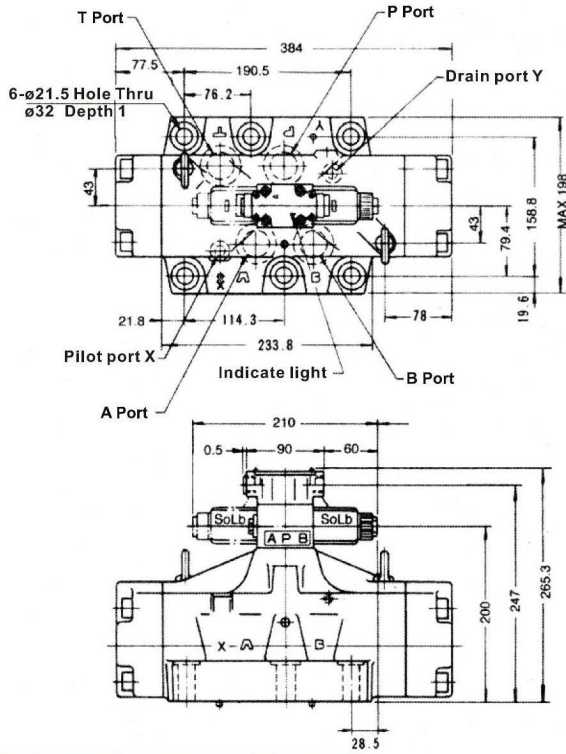


Dimensions
D4(D5)-10

Mounting Surface : ISO 4401 standard



- 規格修改，本公司不另行通知
- Specification is subjected to change without notice.