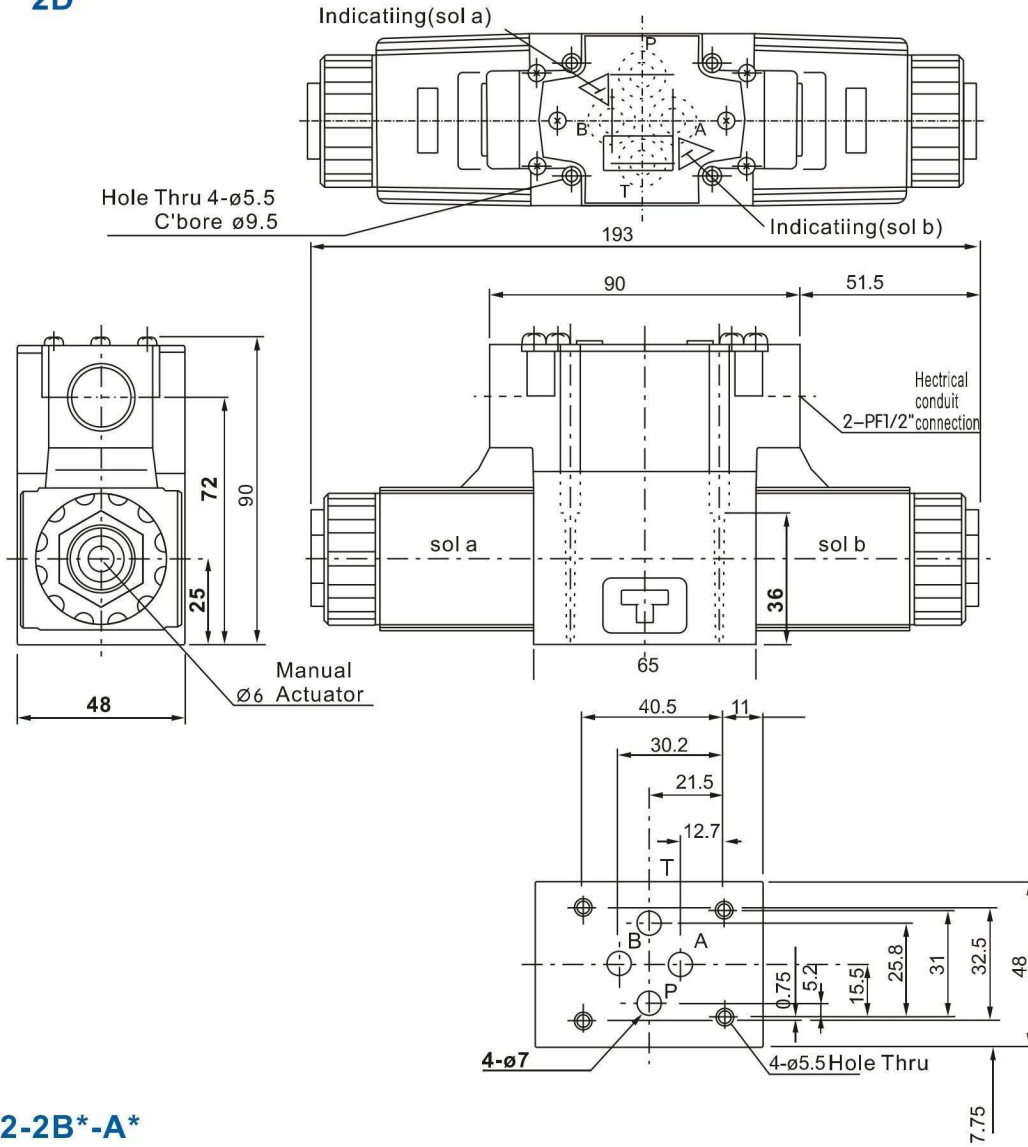


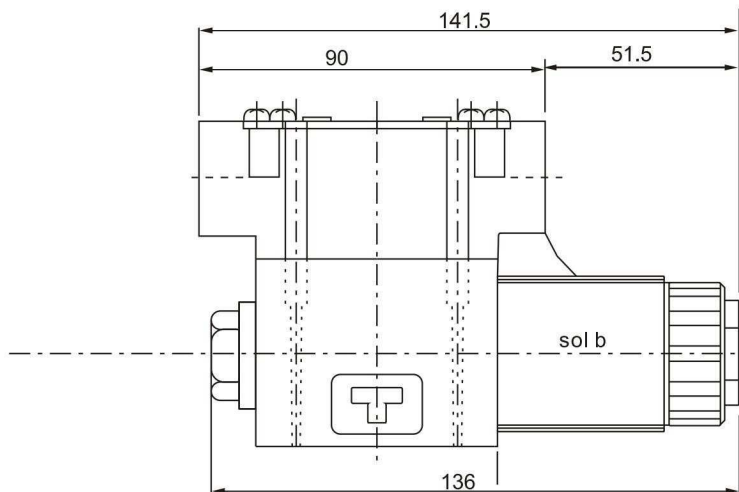
Dimensions

D4-02-3C*-A*
2D*

Mounting Surface: ISO 4401 standard



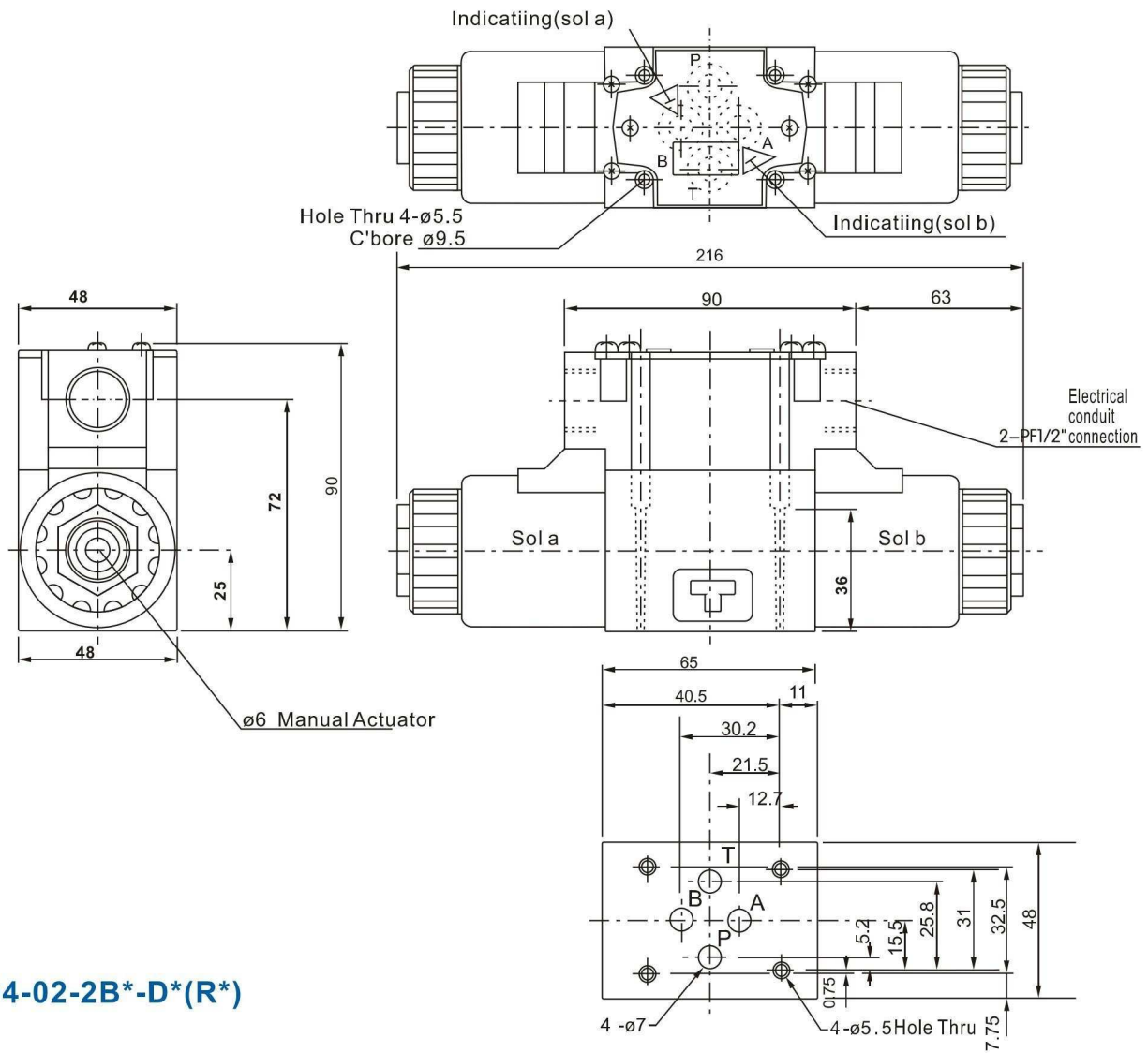
D4-02-2B*-A*



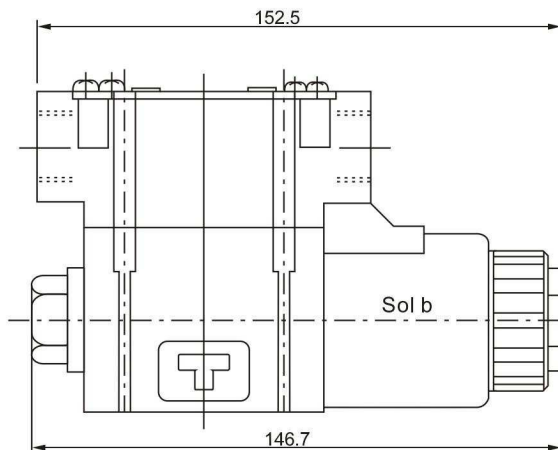
Dimensions

D4-02-3C*-D*(R*)
2D*

Mounting Surface: ISO 4401 standard



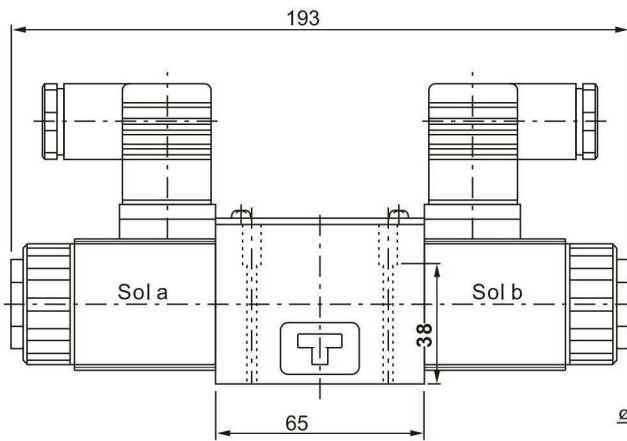
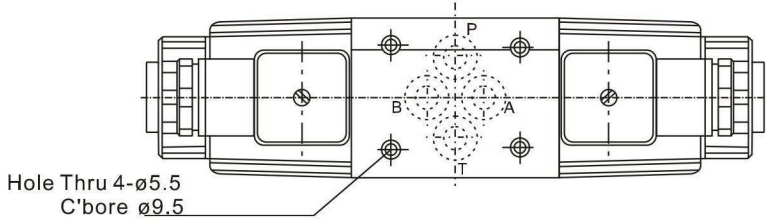
D4-02-2B*-D*(R*)



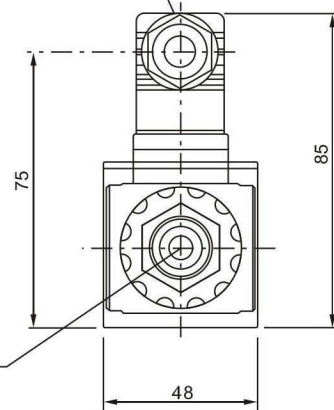
Dimensions

D5-02-3C*-A
2D*

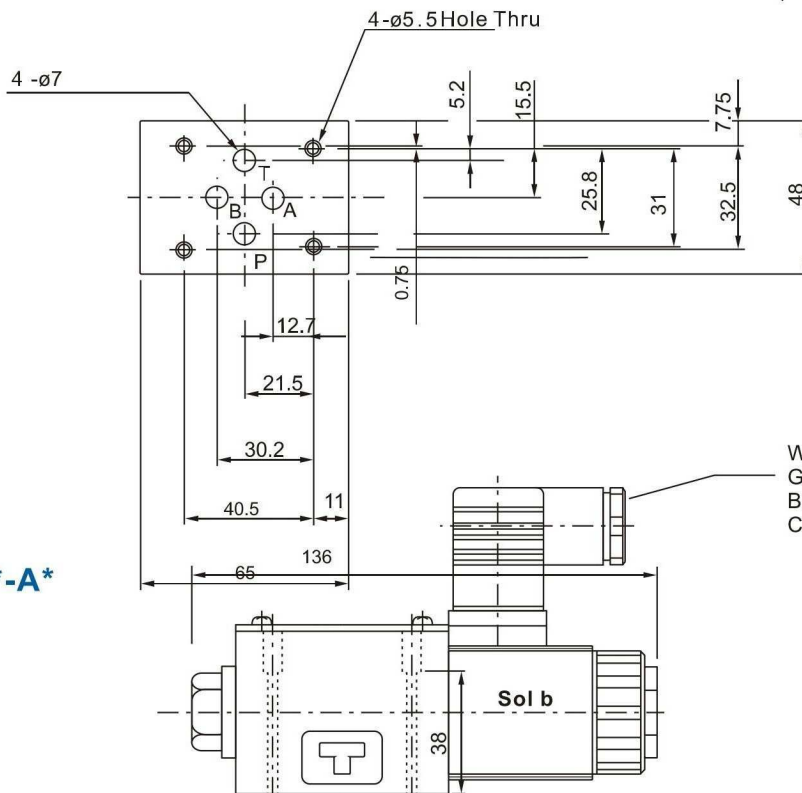
Mounting Surface: ISO 4401 standard



Connector can be optionally turned 90° angle to right or left position



ϕ 6 Manual Actuator



D5-02-2B*-A*

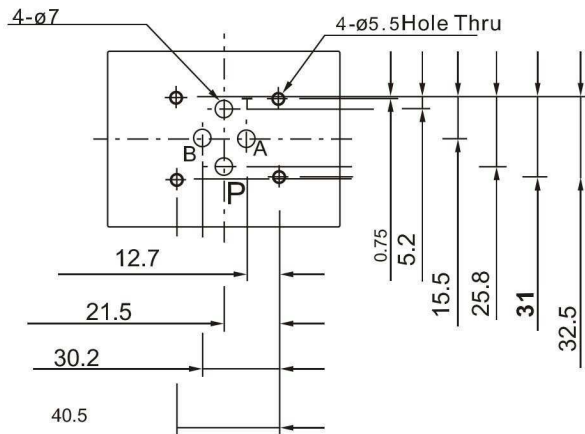
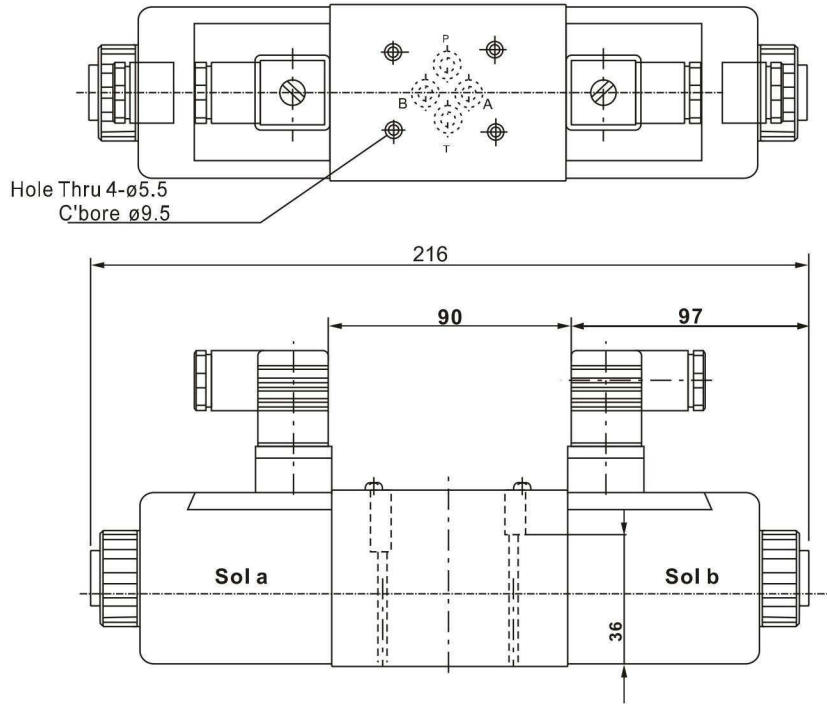
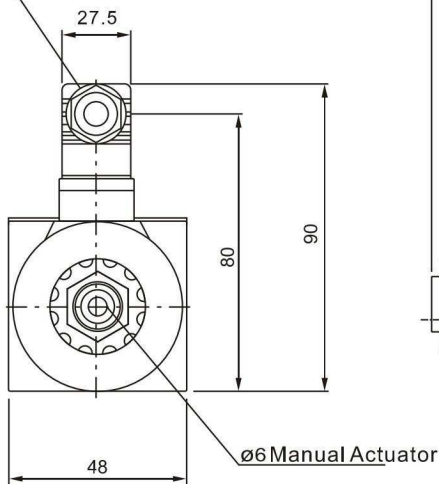
WIRE SPECIFICATIONS:
GENERAL WIRE:
BORE: ϕ 8~ ϕ 10
Conductor Area: under 1.5mm²

Dimensions

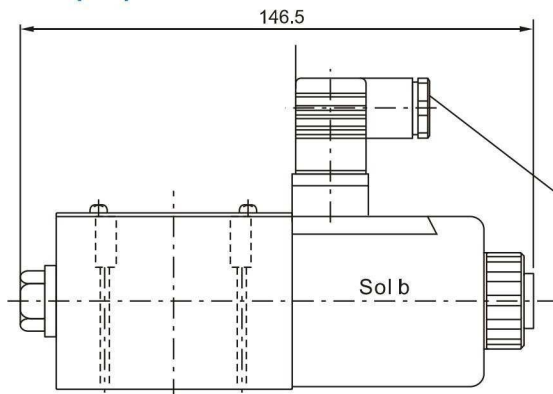
D5-02-3C*-D*(R*)
2D*

Mounting Surface: ISO 4401 standard

Connector be optionally turned 90° angle to right or left position



D5-02-2B*-D*(R*)

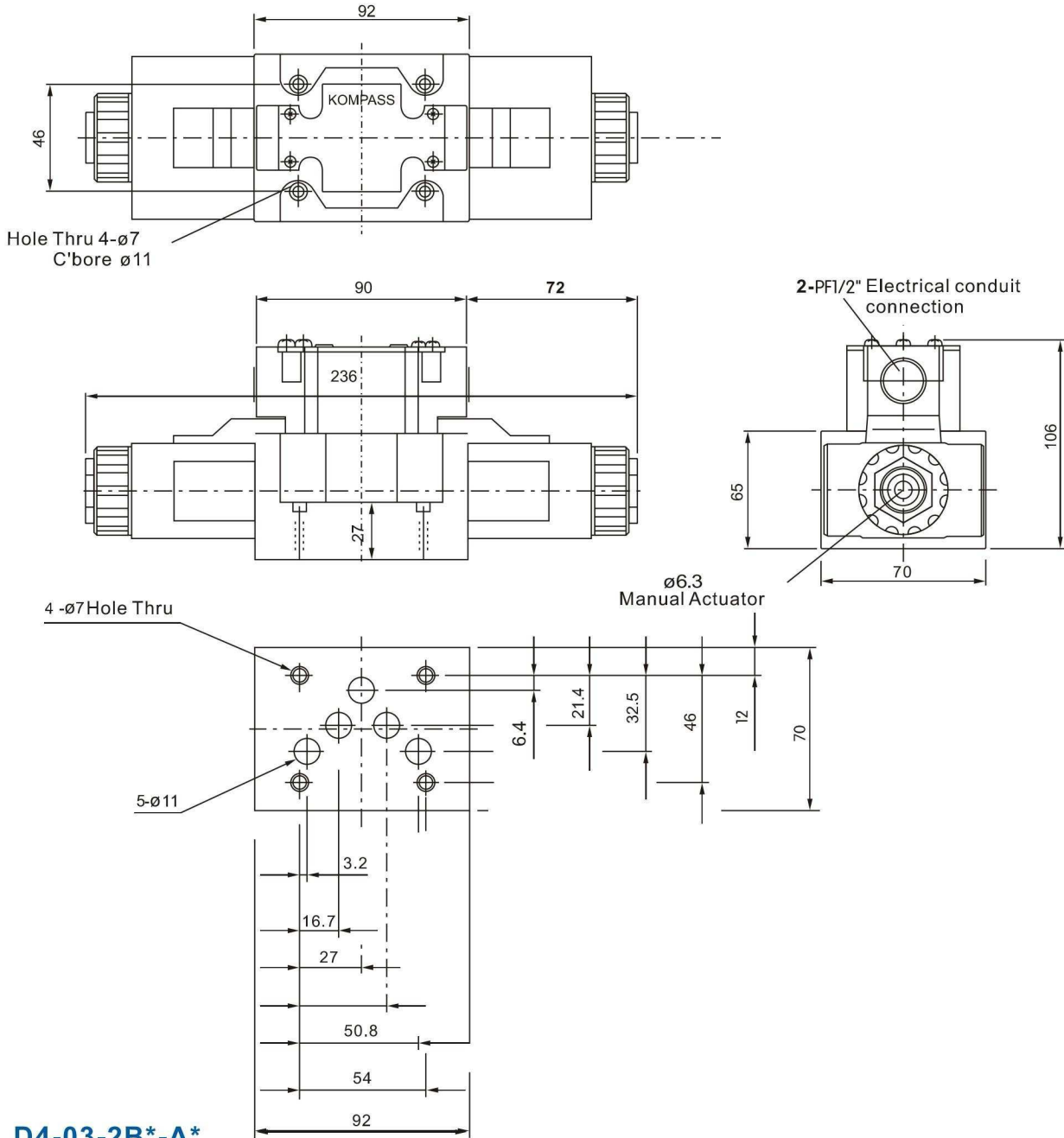


WIRE SPECIFICATIONS:
GENERAL WIRE:
BORE: $\Phi 8 \sim \Phi 10$
Conductor Area: under 1.5mm^2

Dimensions

D4-03-3C*-A*
2D*

Mounting Surface: ISO 4401 standard

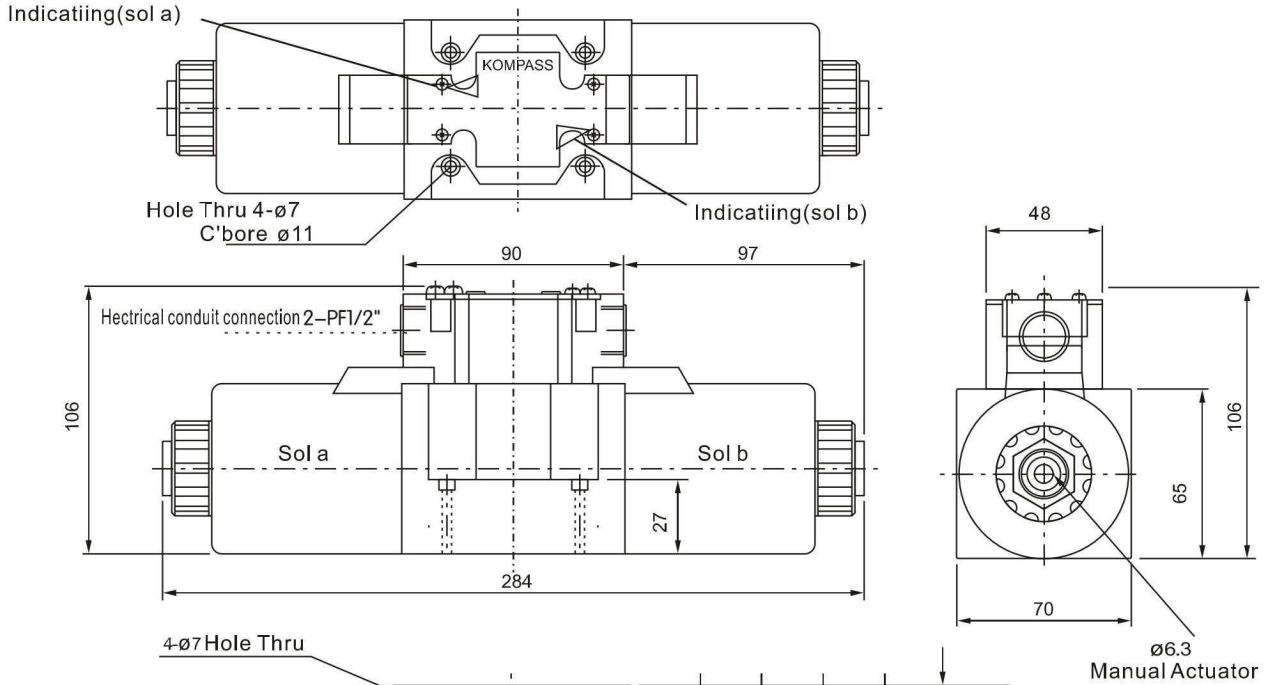


D4-03-2B*-A*

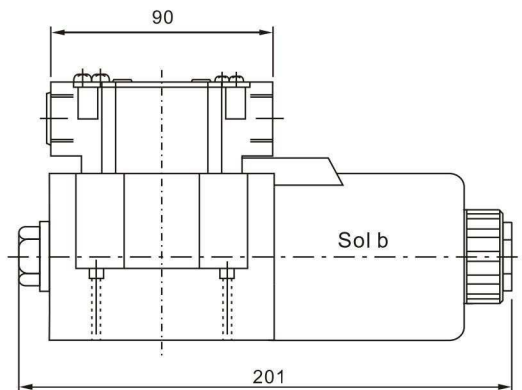
Dimensions

**D4-03-3C*-D*(R*)
2D***

Mounting Surface: ISO 4401 standard



D4-03-2B*-D*(R*)

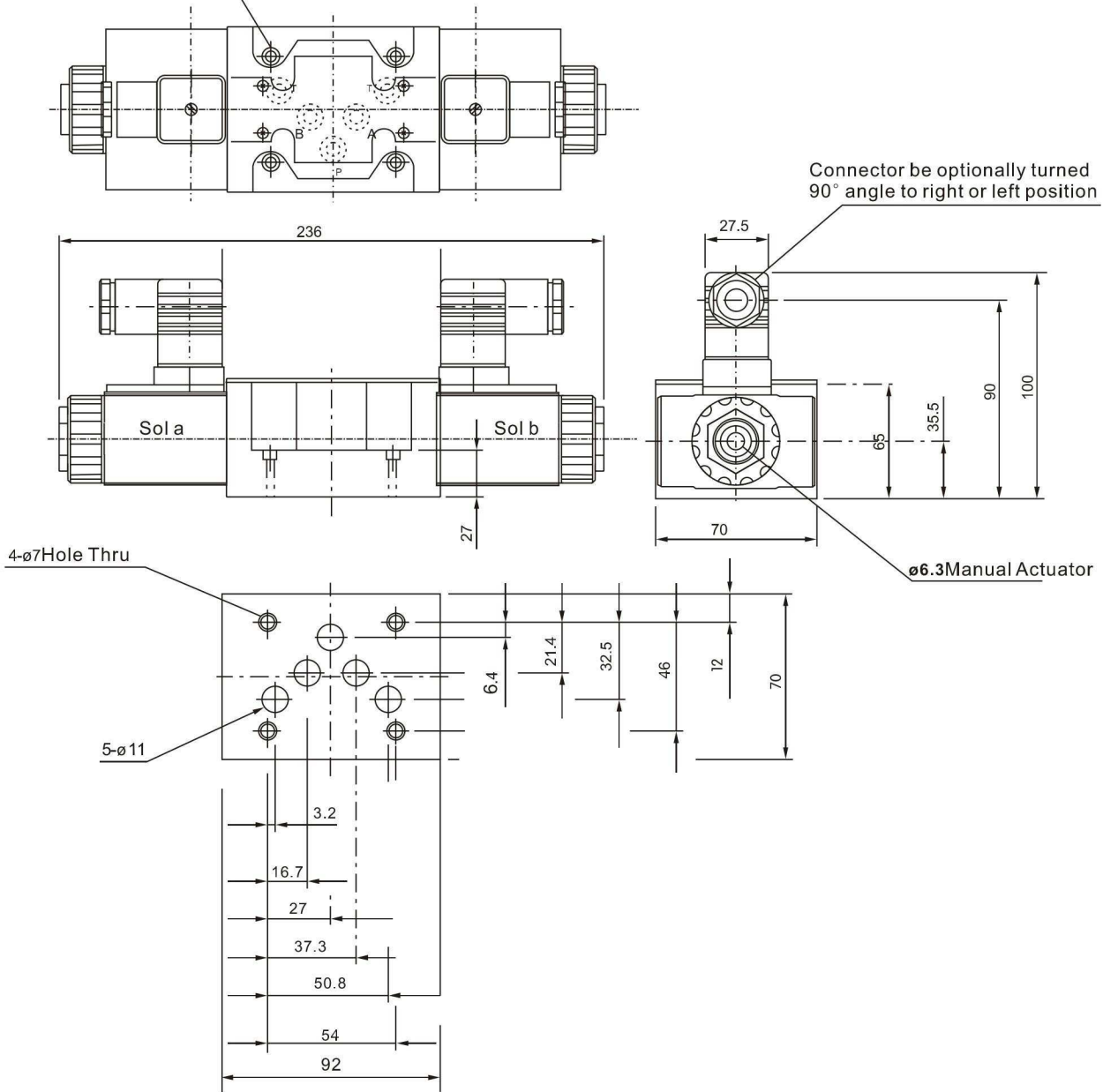


Dimensions

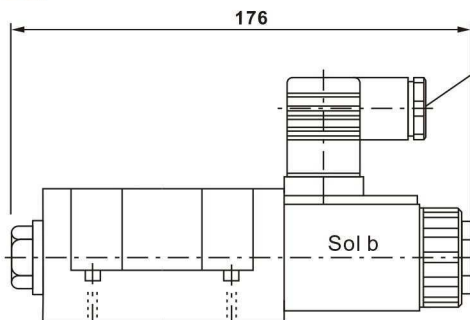
D5-03-3C*-A*

2D*
4-ø7 Hole Thru
ø11 C'bore

Mounting Surface: ISO 4401 standard



D5-03-2B*-A*

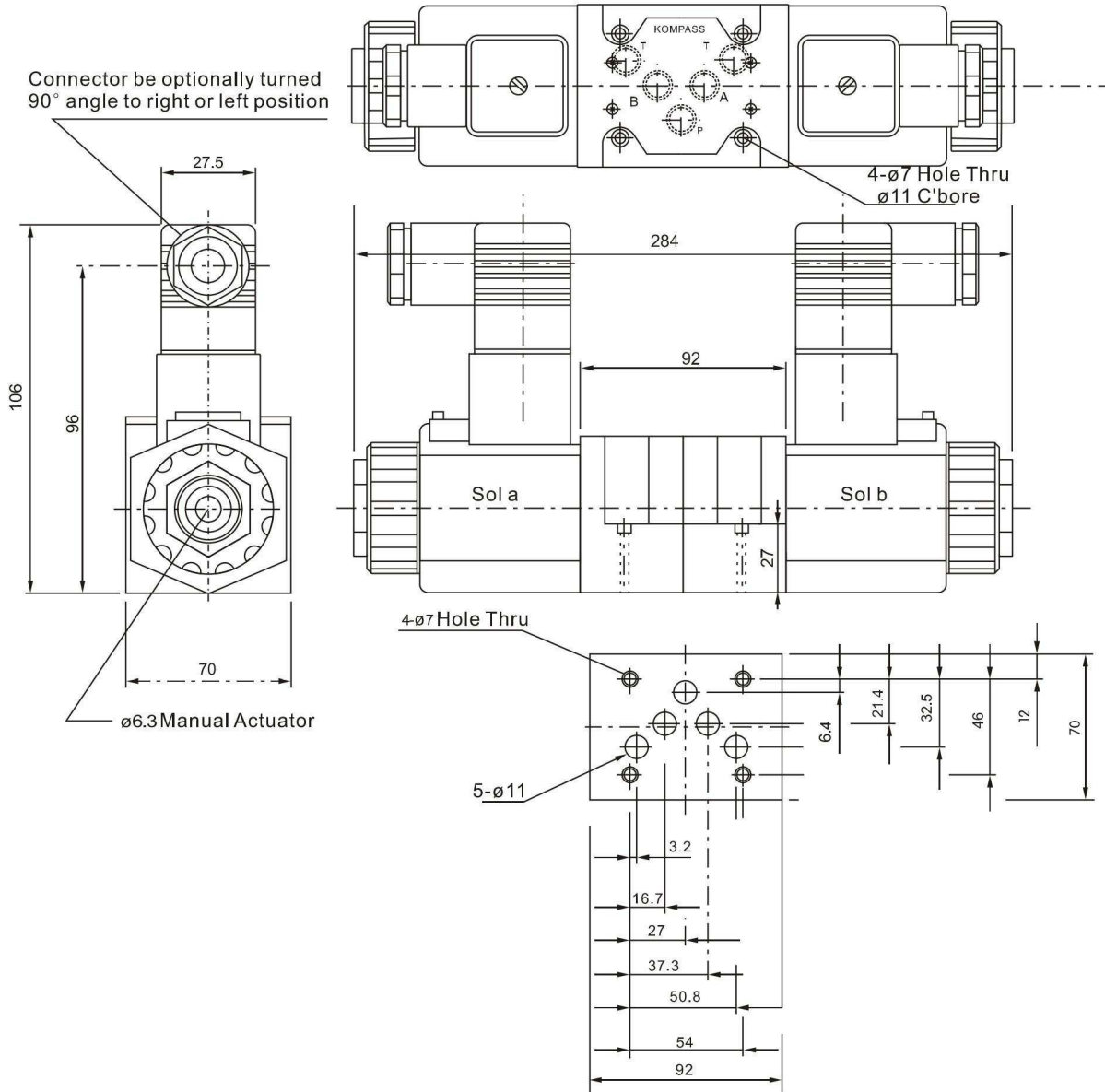


WIRE SPECIFICATIONS:
GENERAL WIRE:
BORE: $\Phi 8 \sim \Phi 10$
Conductor Area: under 1.5 mm^2

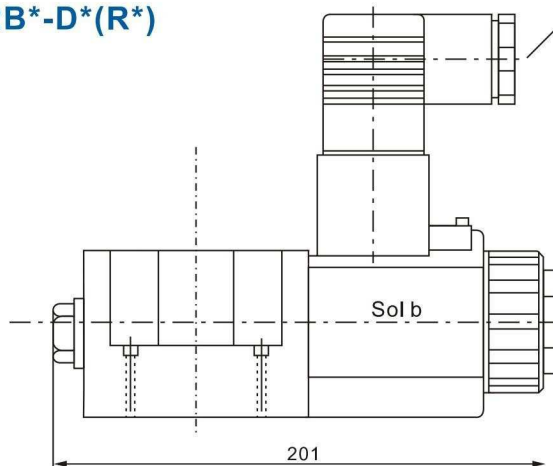
Dimensions

D5-03-3C*-D*(R*)
2D*

Mounting Surface: ISO 4401 standard



D5-03-2B*-D*(R*)



WIRE SPECIFICATIONS:
GENERAL WIRE:
BORE: $\Phi 8 \sim \Phi 10$
Conductor Area: under 1.5mm^2