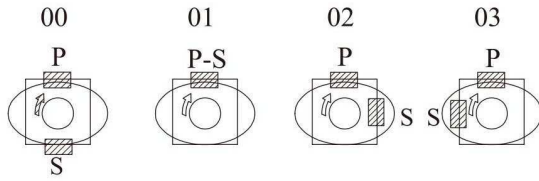


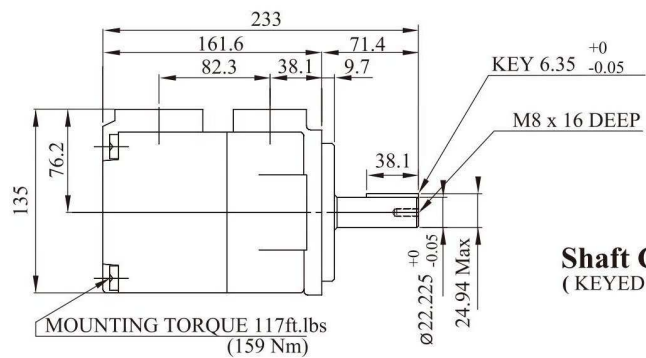
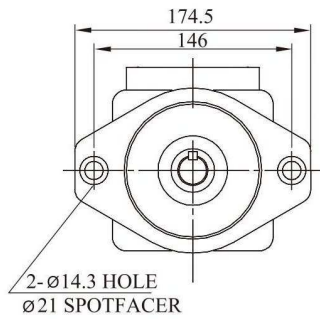
T6C Dimensional Drawing

Port Type

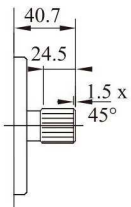


S=Suction port P=Pressure port

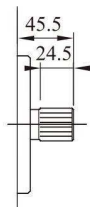
Dimension



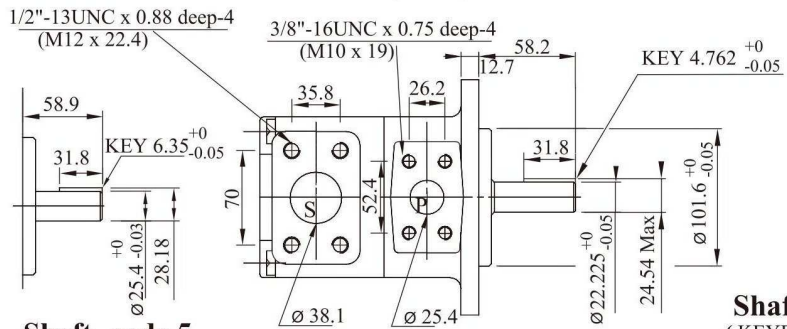
Shaft Code 1
(KEYED SAE B)



Shaft code 3
SAE B splined shaft
Class 1-J498 b 16/32
d.p. -13 teeth 30°
pressure angle flat root
side fit



Shaft code 4
SAE BB splined shaft
Class 1-J498 16/32
d.p. -15 teeth 30°
pressure angle flat
root side fit



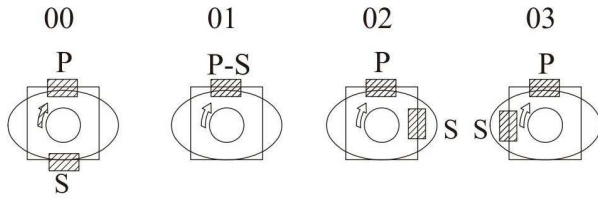
Shaft code 5

Shaft Code 2
(KEYED NO SAE)

Shaft torque limits(mℓ/rev x bar)		
Pump	Shaft	Vp x p max
T6C	1	16500
	2	14300
	3	20600
	4	20600

T6D Dimensional Drawing

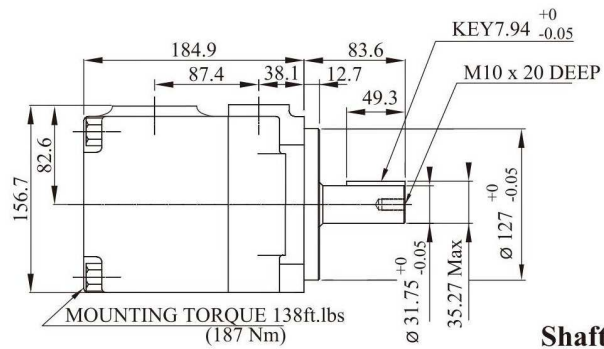
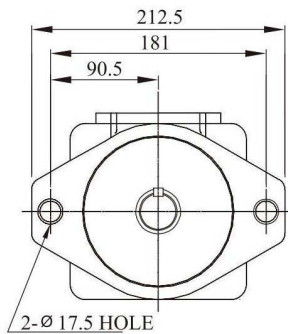
Ports Type



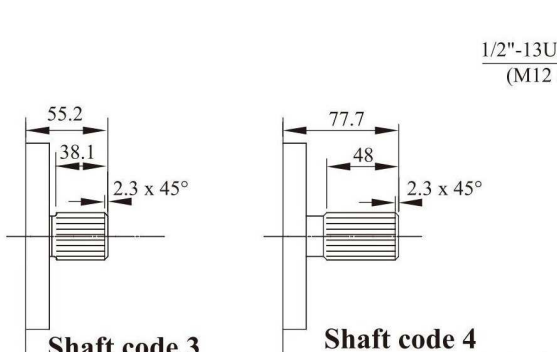
S=Suction port

P=Pressure port

Dimension

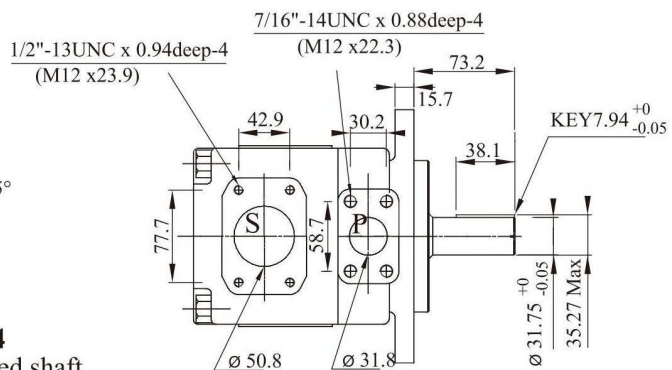


Shaft Code 1
(Keyed SAE C)



Shaft code 3
SAE C splined shaft
Class 1 - J498 b
12/24 dp. -14 teeth
30° pressure angle
Flat root side fit.

Shaft code 4
no SAE splined shaft
Class 1 - J498 b
12/24 dp. -14 teeth
30° pressure angle
Flat root side fit.

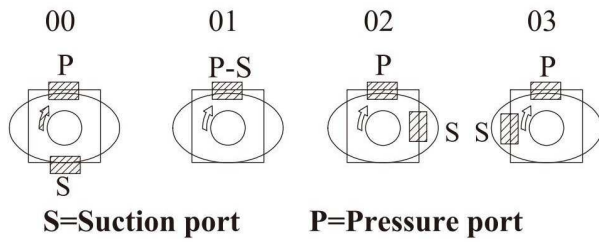


Shaft Code 2
(Keyed no SAE)

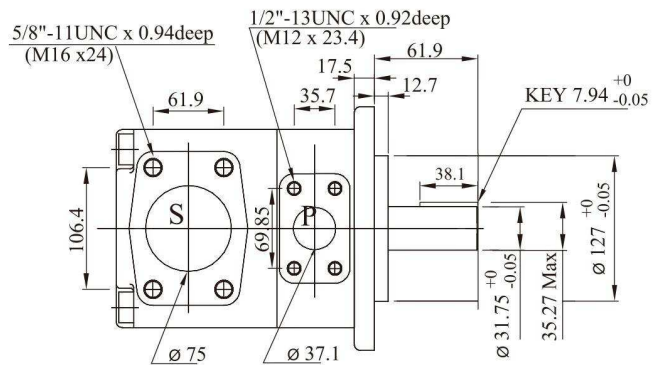
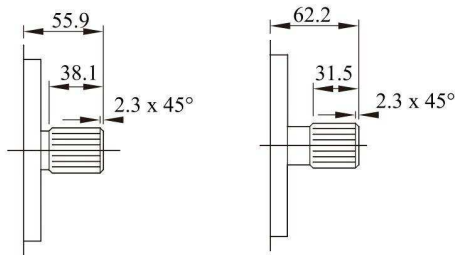
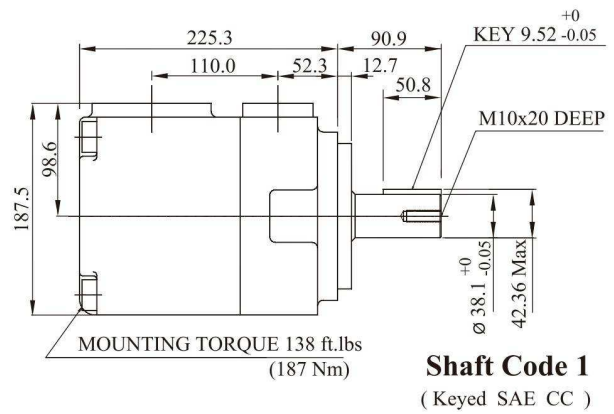
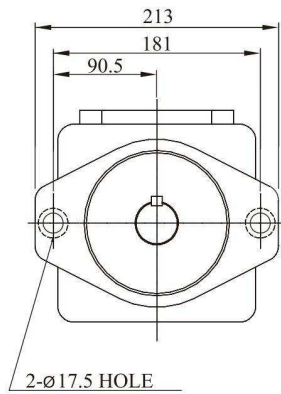
Shaft torque limits (mℓ/rev x bar)		
Pump	Shaft	Vp x p max
T6D	1	43283
	2	34590
	3	61200
	4	61200

T6E Dimensional Drawing

Ports Type



Dimension



Shaft code 3

SAE C Splined shaft
class 1 - J498b 12/24
dp. -14 teeth 30°
pressure angle. Flat root
side fit.

Shaft code 4

SAE CC Splined shaft
class 1 - J498b 12/24
dp. -17 teeth 30°
pressure angle. Flat root
side fit.

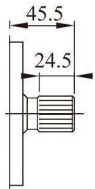
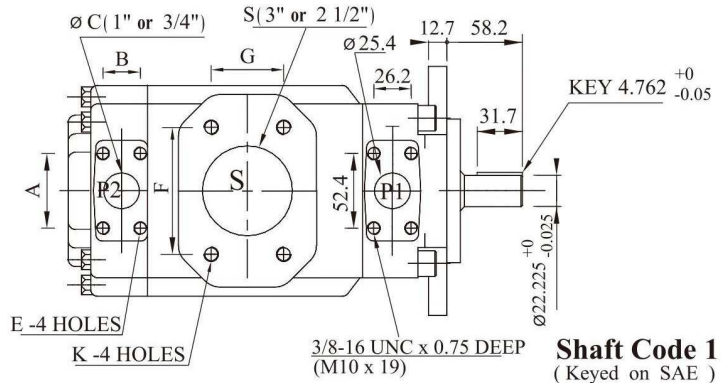
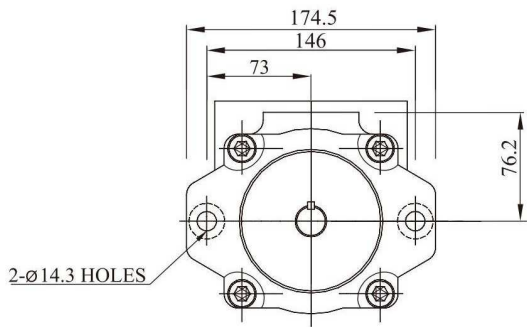
Shaft Code 2

(Keyed no SAE)

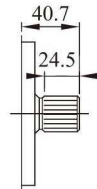
shaft torque limits(mℓ/rev x bar)		
Pump	Shaft	Vp x P max.
T6E	1	54555
	2	34590
	3	61200
	4	61200

T6CC Dimensional Drawing

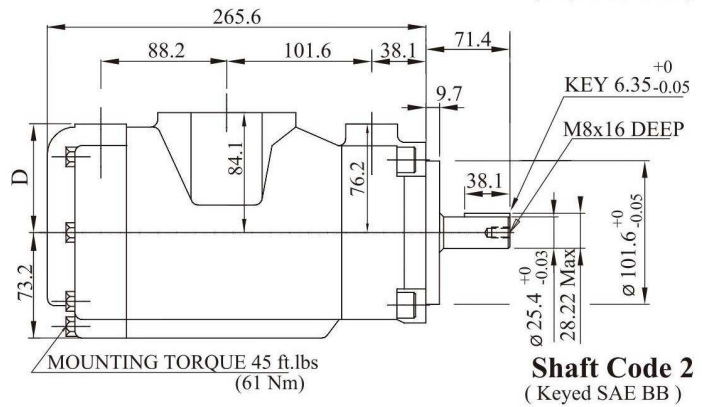
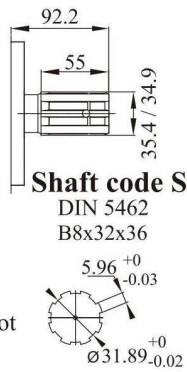
Dimension



Shaft code 3
SAE BB Splined shaft
class 1 - J498 b 16/32
dp. -15 teeth 30°
pressure angle. Flat root
side fit.



Shaft code 5
SAE B Splined shaft
class 1 - J498 b 16/32
dp. -13 teeth 30°
pressure angle. Flat root
side fit.

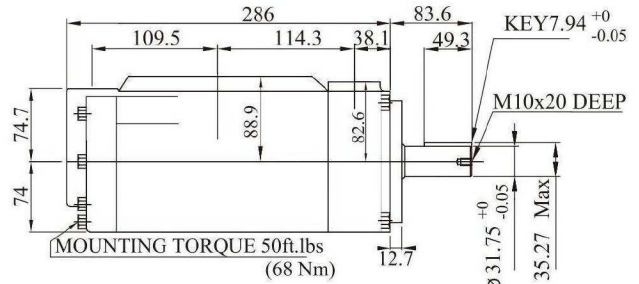
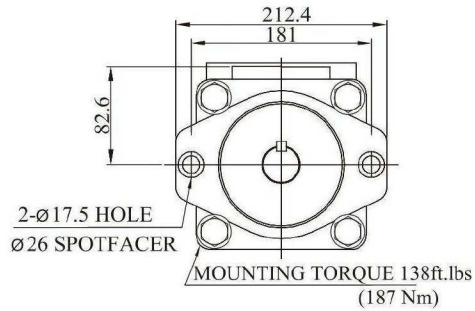


Alternate Port								
	S = 3"				S = 2 1/2"			
F	106.4				88.9			
G	61.9				50.8			
øH	76.2				63.5			
Code	00	01	0M	W0	10	11	1M	W1
A	52.4	47.6	52.4	47.6	52.4	47.6	52.4	47.6
B	26.2	22.2	26.2	22.2	26.2	22.2	26.2	22.2
øC	25.4	19.0	25.4	19.0	25.4	19.0	25.4	19.0
D	74.7	76.2	74.7	76.2	74.7	76.2	74.7	76.2
E	3/8"-16UNCx19 deep		M10x19 deep		3/8"-16UNCx19 deep		M10x19 deep	
K	5/8"-11UNCx28.4 deep		M16x28.4 deep		1/2"-13UNCx23.9 deep		M12x24.0 deep	

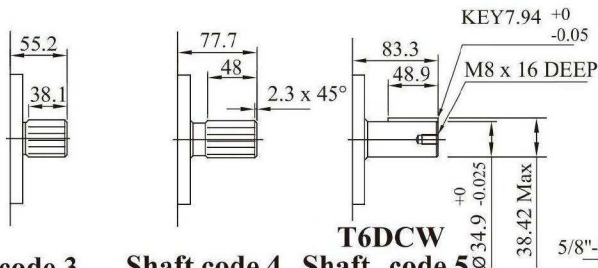
Shaft torque limits(mℓ/rev x bar)		
Pump	Shaft	Vp x p max.P1+P2
T6CC	1	14300
	2	21420
	3	32670
	5	20600

T6DC Dimensional Drawing

Dimension



Shaft Code 1
(Keyed SAE C)



Shaft code 3

SAE C Splined shaft
class 1 - J498b
12/24 d.p. -14 teeth
30° pressure angle.
Flat root side fit.

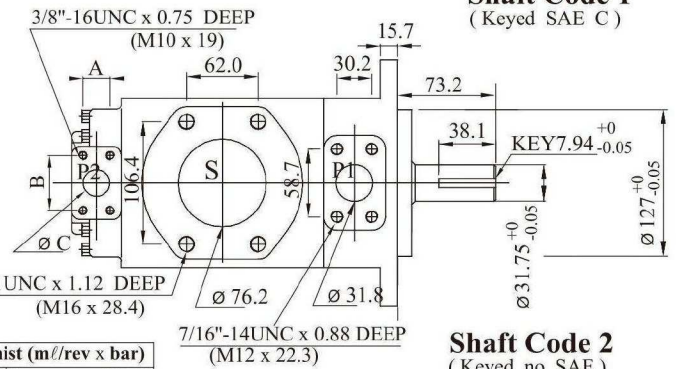
Shaft code 4

NO SAE Splined
shaft class 1 - J498
b 12/24 d.p. -14
teeth 30° pressure
angle. Flat root side
fit.

Shaft code 5

(Keyed no SAE)

T6DCW



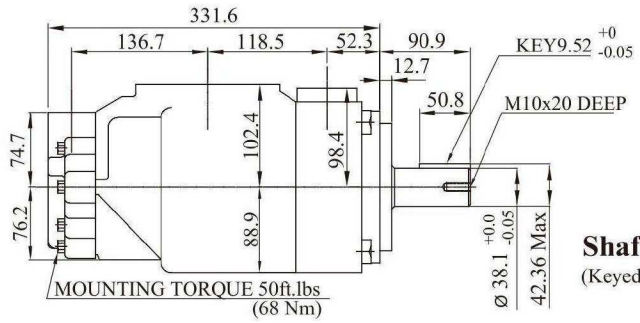
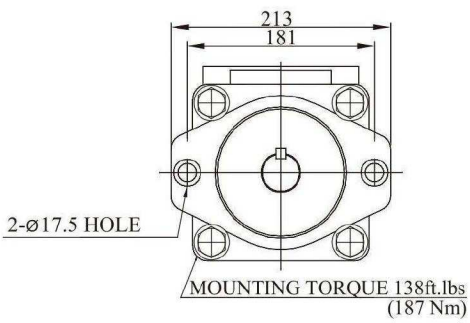
Shaft Code 2
(Keyed no SAE)

Shaft torque limist (m/rev x bar)		
Pump	Shaft	Vp x p max.P1+P2
T6DC	1	43240
	2	34590
	3	61200
	4	61200
	5	55600

Alternate connect. variables		
	00 & M0	01 & M1
A	1.031 (26.2)	0.874 (22.2)
B	2.06 (52.4)	1.874 (47.6)
C	1.0 (25.4)	0.75 (19.05)

T6EC Dimensional Drawing

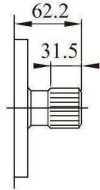
Dimension



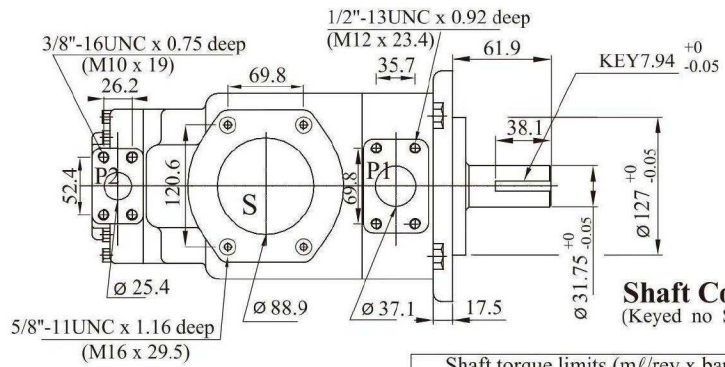
Shaft Code 1
(Keyed SAE CC)



Shaft code 3
SAE C Splined shaft
class 1 - J498 b
12/24 dp. -14 teeth
30° pressure angle.
Flat root side fit.



Shaft code 4
SAE CC Splined
shaft class 1 - J498 b
12/24 dp. -17 teeth
30° pressure angle.
Flat root side fit.

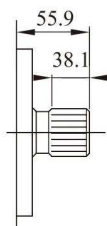
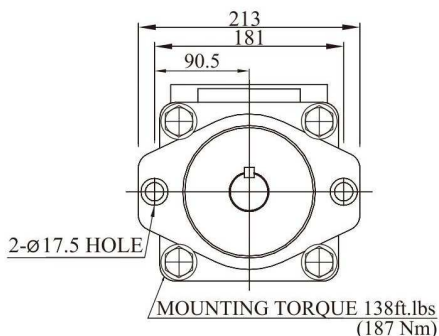


Shaft Code 2
(Keyed no SAE)

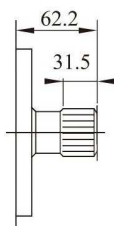
Shaft torque limits (mℓ/rev x bar)		
Pump	Shaft	Vp x p max.P1+P2
T6EC	1	72306
	2	34590
	3	61200
	4	76376

T6ED Dimensional Drawing

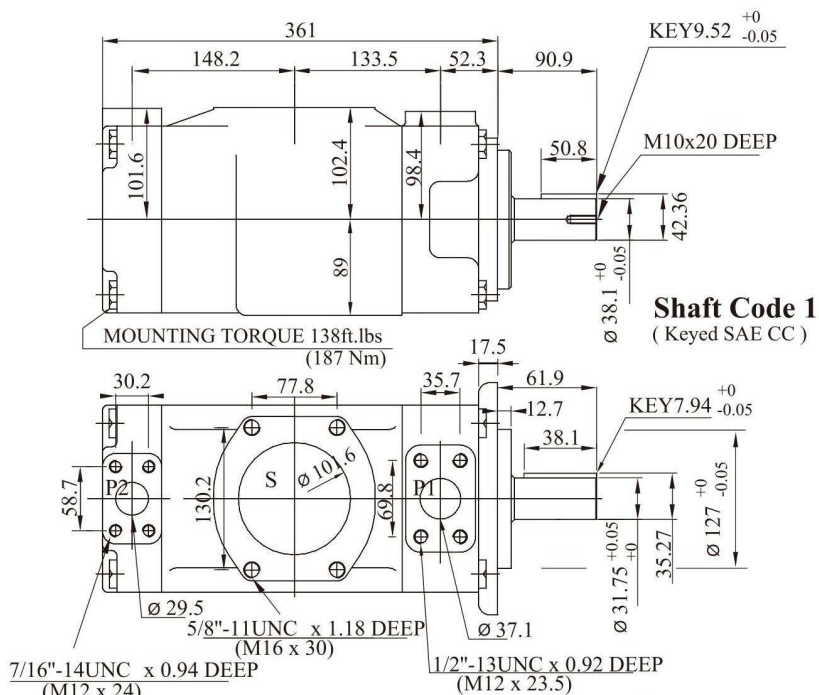
Dimension



Shaft code 3
SAE C Splined shaft
class 1 - J498 b
12/24 dp. -14 teeth
30° pressure angle.
Flat root side fit.



Shaft code 4
SAE CC Splined shaft
class 1 - J498 b
12/24 dp. -17 teeth
30° pressure angle.
Flat root side fit.



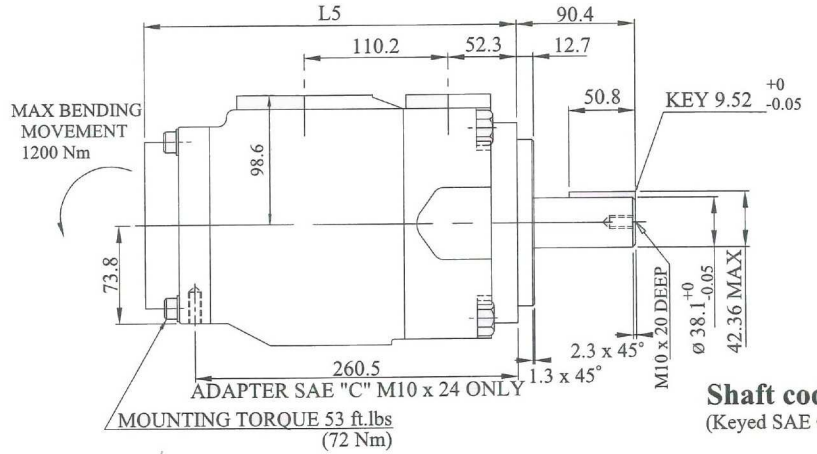
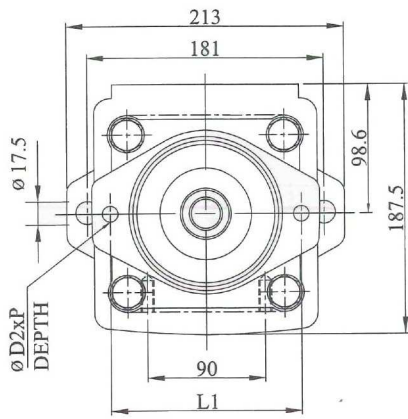
Shaft Code 1
(Keyed SAE CC)

Shaft Code 2
(Keyed no SAE)

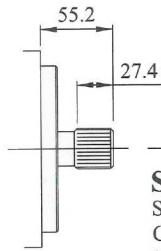
Shaft torque limits (mℓ/rev x bar)		
Pump	Shaft	Vp x p max.P1+P2
T6ED	1	72306
	2	34590
	3	61200
	4	76376

T6ER Dimensional Drawing

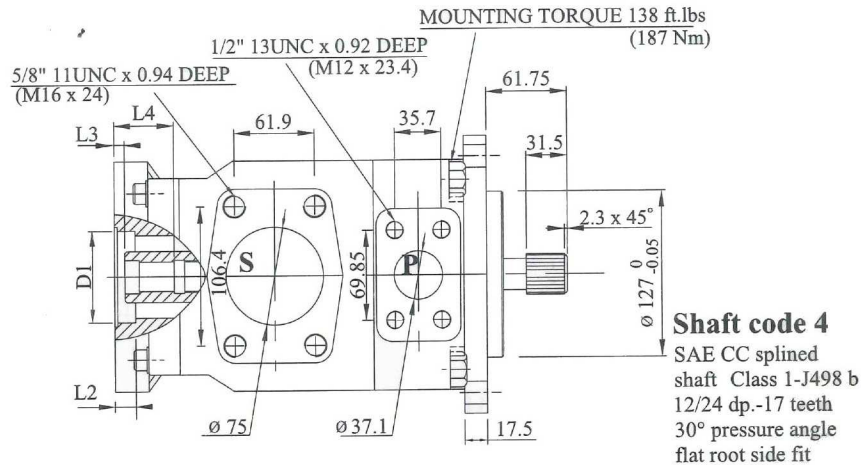
Dimension



Shaft code 1
(Keyed SAE CC)



Shaft code 3
SAE C splined shaft
Class 1-J498 b
12/24 dp.-14 teeth
30° pressure angle
flat root side fit



Shaft code 4
SAE CC splined shaft
Class 1-J498 b
12/24 dp.-17 teeth
30° pressure angle
flat root side fit

Shaft torque limits (mℓ/rev x bar)			
Shaft	V x p max.	Coupling drive	Vp x p max.
1	80560	SAE A	11000
3	61200	SAE B	20600
4	120210	SAE BB	32670
		SAE C	66480
		SAE -11 teeth	15850

Adapter	SAE "A"			SAE "B"		SAE "C"
	SAE A	SAE 11 teeth	SAE B	SAE B	SAE BB	SAE C
Coupling drive	SAE A	SAE 11 teeth	SAE B	SAE B	SAE BB	SAE C
Number of teeth	9	11	13	13	15	14
Pitch	16/32	16/32	16/32	16/32	16/32	12/24
Pressure angle	30°	30°	30°	30°	30°	30°
Major dia.(min)	15.875	19.05	22.225	22.225	25.400	31.750
Minor dia.(min)	12.700	16.0	19.134	19.134	22.268	27.585

Adapter	D1	D2	P	L1	L2	L3	L4	L5
SAE A	82.65/82.60	M10	24	106.4	11.0	7.9	32.0	272.0
SAE B	101.70/101.65	M12	28	146.0	16.0	7.9	46.0	286.0
SAE C	127.10/127.05	M16	—	181.0	16.0	7.9	56.0	296.0