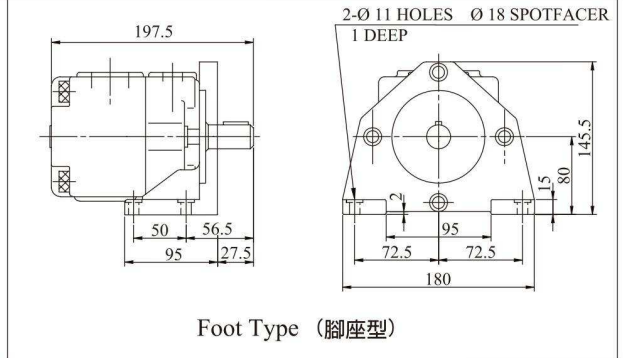
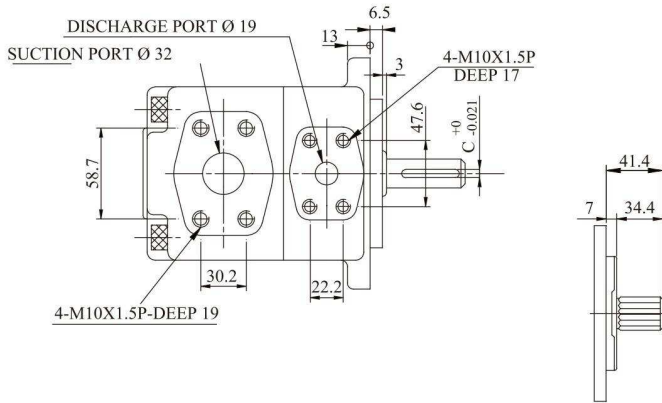


# DVQ Series Single Pump Dimensional Drawing

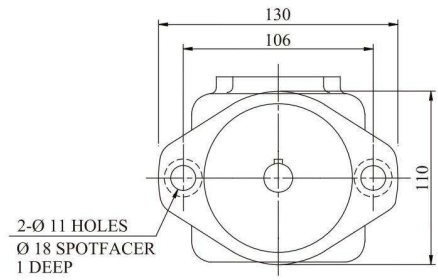
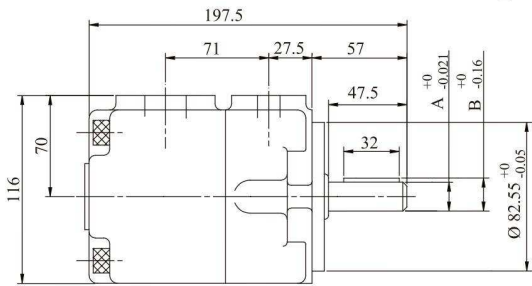
## DVQ 系列單泵外型尺寸圖

**DVQ20** Max. Pressure: 260 Kgf/cm<sup>2</sup> (Peak)  
Max. Speed: 1800 rpm

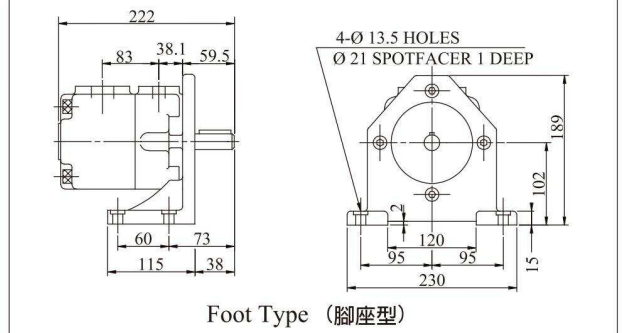
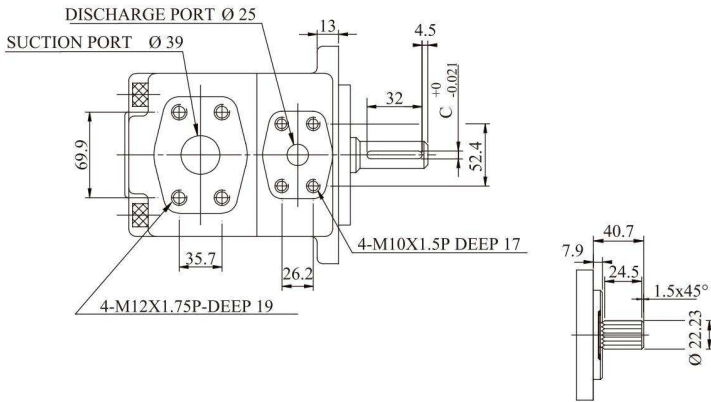


**NO.04-Shaft**  
13-Teeth Spline  
7/8" (22.225)DIA  
30° pressure angle  
Flat root side fit

|             | A            | B     | C    |
|-------------|--------------|-------|------|
| NO.01-Shaft | Ø 19.05      | 21.24 | 4.76 |
| NO.02-Shaft | Ø 22.23      | 24.5  | 4.76 |
| NO.03-Shaft | Ø 22.23      | 25.01 | 6.35 |
| NO.04-Shaft | Spline shaft |       |      |



**DVQ25** Max. Pressure: 260 Kgf/cm<sup>2</sup> (Peak)  
Max. Speed: 1800 rpm



**NO.04-Shaft**  
16/32 d.p.  
-13 teeth  
30° pressure angle  
Flat root side fit.

|             | A            | B     | C    | E    |
|-------------|--------------|-------|------|------|
| NO.01-Shaft | Ø 22.23      | 24.5  | 6.35 | 50.5 |
| NO.02-Shaft | Ø 25.4       | 28.18 | 6.35 | 50.5 |
| NO.03-Shaft | Ø 30.0       | 33.0  | 7.0  | 59   |
| NO.04-Shaft | Spline shaft |       |      |      |
| NO.W-Shaft  | Ø 28.0       | 30.8  | 6.35 | 50.5 |

