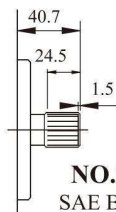
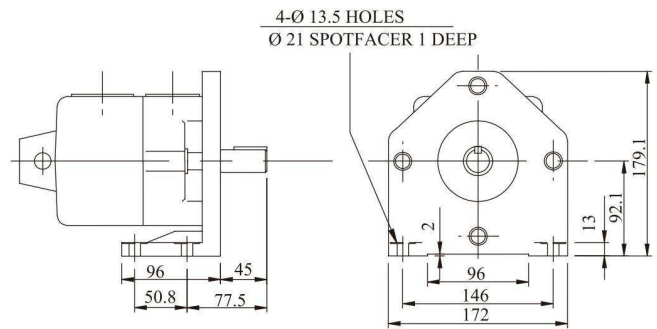
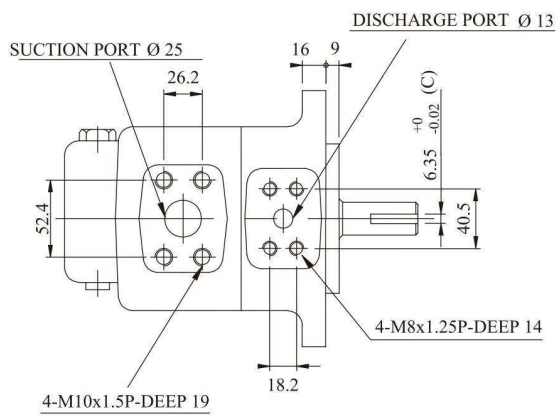
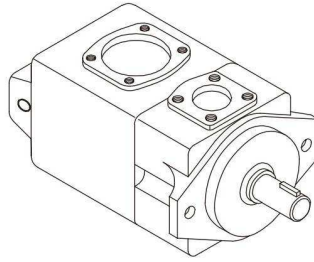


HVQ Series Single Pump Dimensional Drawing

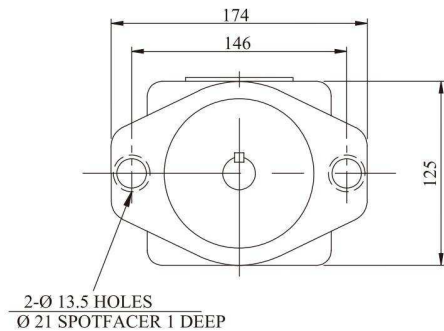
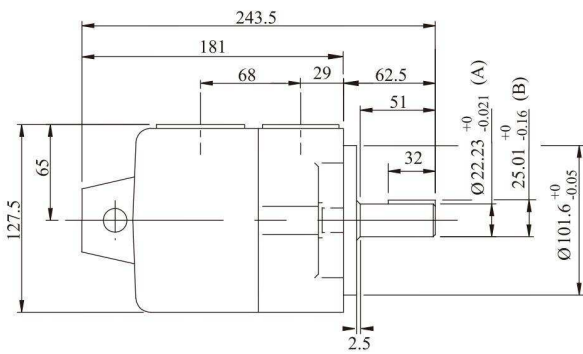
HVQ 系列單泵外型尺寸圖

HVQ20



NO.3 Shaft
SAE B-B splined shaft
Class 1-J498 b 16/32 d.p.
-13 teeth 30° pressure
angle flat root side fit

| | A | B | C |
|-------------|---------------------|-------|------|
| N0.01-Shaft | $\varnothing 22.23$ | 25.01 | 6.35 |
| N0.03-Shaft | Spline Shaft | | |



- 規格修改，本公司不另行通知
- Specification is subjected to change without notice.