

FIXED DISPLACEMENT VANE PUMPS

SVQ、25、35、45 Series



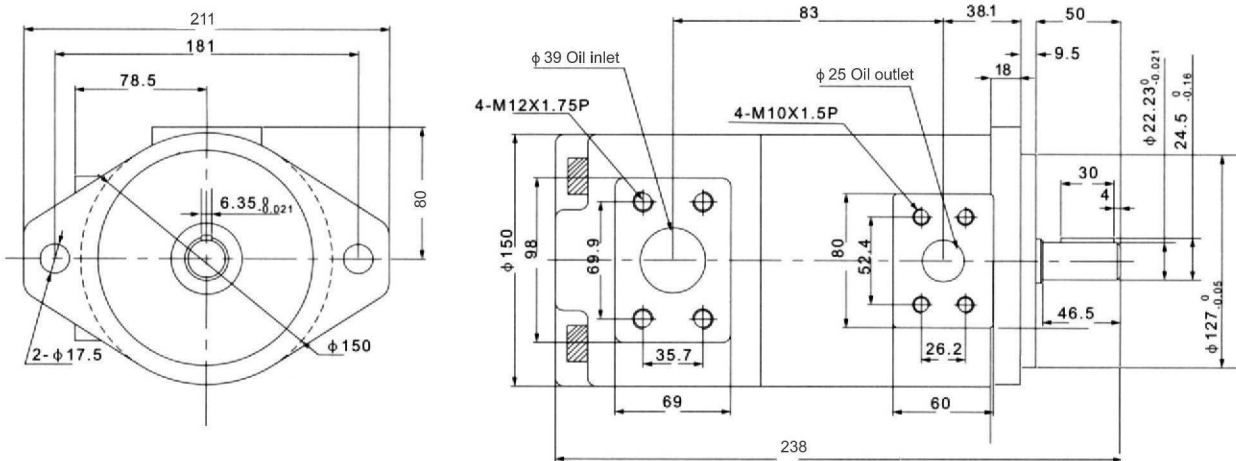
Feature:

1. Special high pressure and low noise designs fit for multitude of applications, especially for rubber press, plastic injection molding machines and other industrial machines.
2. Cartridge is easy to assemble and disassemble to maintain and to change shaft rotations.
3. Flange mounting can be interchangeable with vickers products (but not include internal parts' and cartridges).

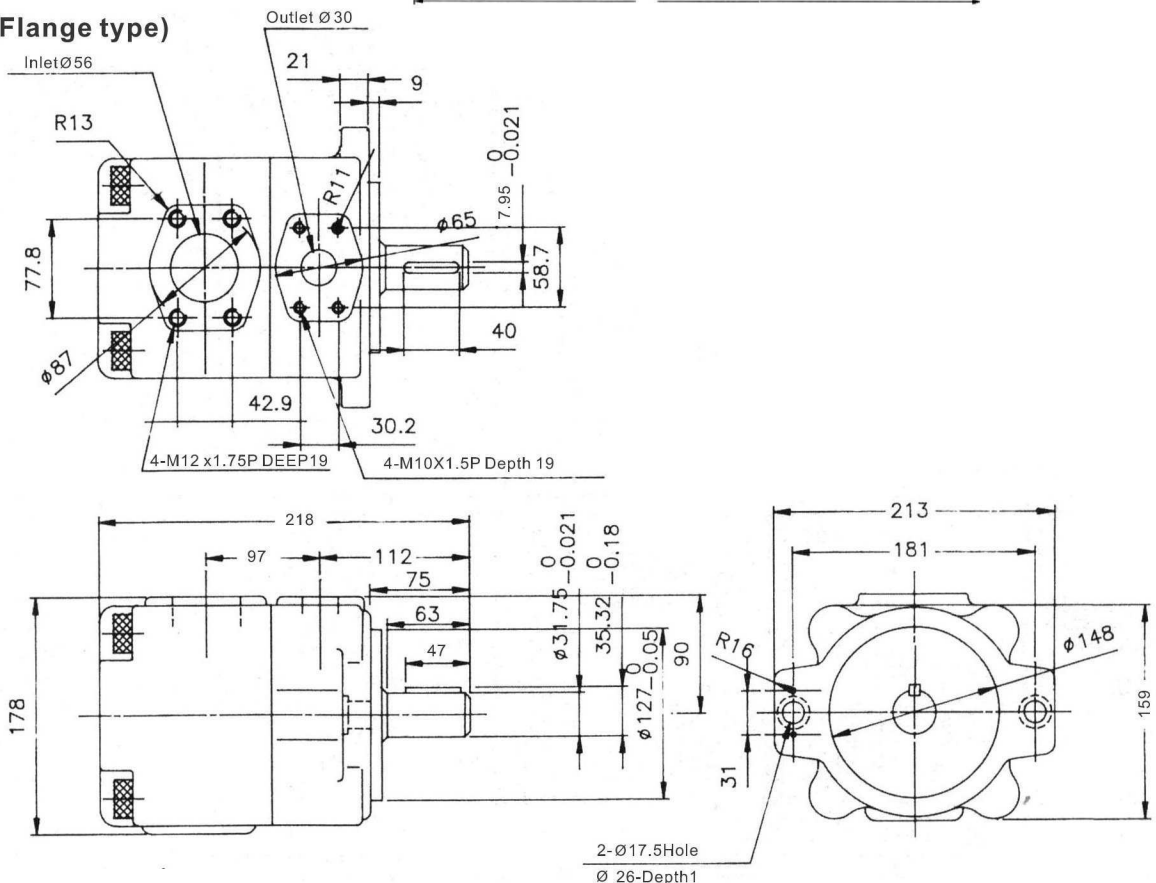
- 規格修改，本公司不另行通知
- Specification is subjected to change without notice.

Dimensions

SVQ25(Flnage type)



SVQ35 (Flange type)



Dimensions

SVQ45(Flange type)

