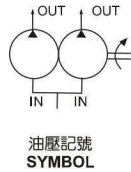


FIXED DUAL DISPLACEMENT VANE PUMPS

PV2R12、PV2R13 Series

- 規格修改，本公司不另行通知
- Specification is subjected to change without notice.

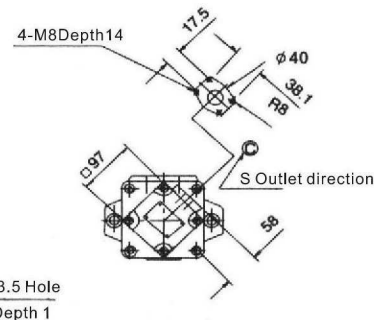
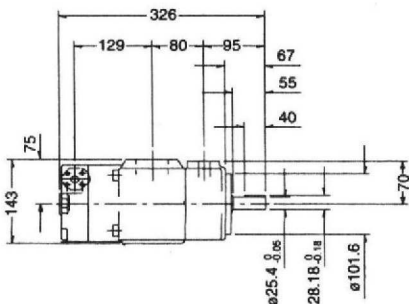
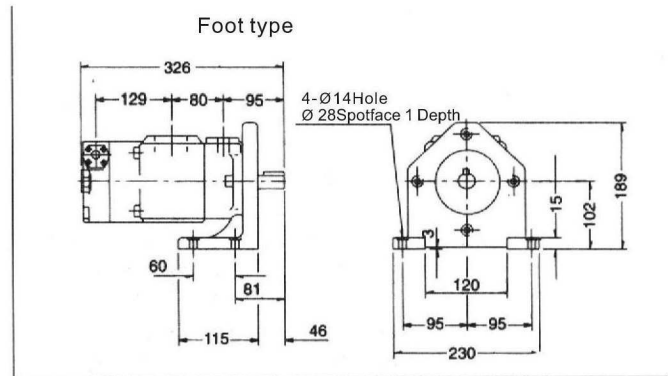
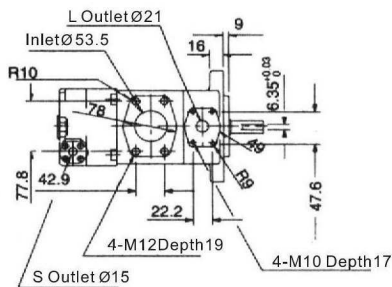


Feature:

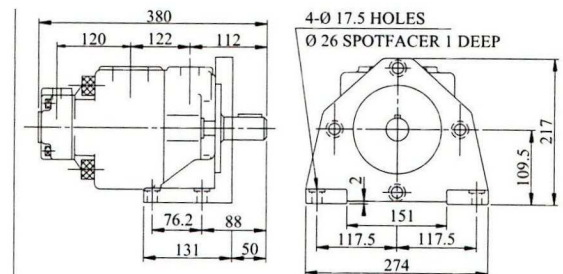
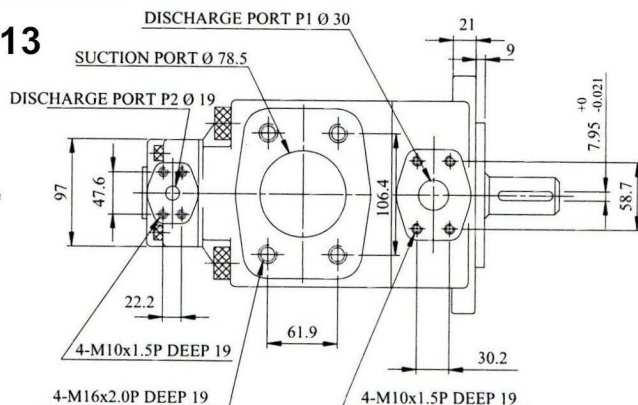
Combined two high pressure fixed displacement vane pumps are designed for hydraulic systems requiring two pressure sources at same operating period. Designs of two outlets with single inlet, and single shaft operation reduce spaces of pipping and motor's mounting.

Dimensions

PV2R12 Flance type



PV2R13



Foot Type (脚座型)

	A	B
NO.01-Shaft	Ø 31.75	35.32
NO.02-Shaft	Ø 34.9	38.56

