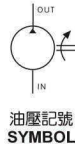


FIXED DISPLACEMENT VANE PUMPS

FA1 Series

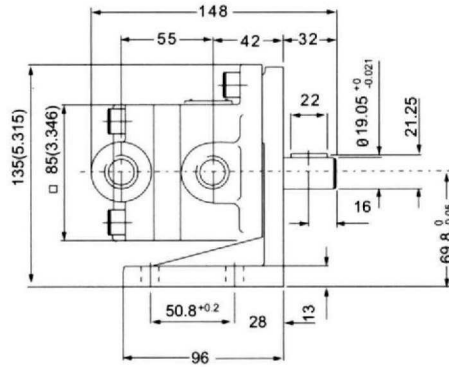
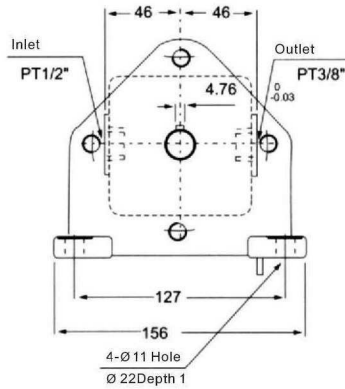


Feature:

1. Light and compact designs are suitable for special-purpose machines requiring less installed spaces.
2. Stable pulse and high efficiency while adjusting pressure.
3. Simplified parts and structure are easy to maintain.

Dimensions

FA1 Foot type



Flange type

