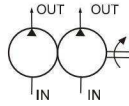


# HI-LO PRESSURE PUMPS (FIXED DISPLACEMENT VANE PUMPS+ GEAR PUMPS OR FIXED DISPLACEMENT HI-PRESSIVE VANE PUMPS)



## HI-LO PRESSURE PUMPS(FIXED DISPLACEMENT LANE PUMPS+ GEAR PUMPS OR FIXED DISPLACEMENT HI-PRESSURE VANE PUMPS)

### 50T+SL、150T+ST Series



油壓記號  
SYMBOL

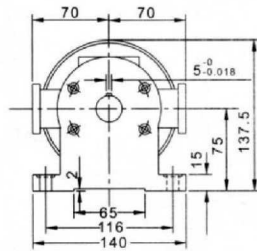
#### Feature:

This pump incorporate combination of fixed displacement vane pump with high flow low noise level and gear pump with high pressure, low flow (or high pressure fixed displacement vane pump) It results in horsepower efficiency that this pump is applied to hi-lo pressure pumps and operated by single electric motor.

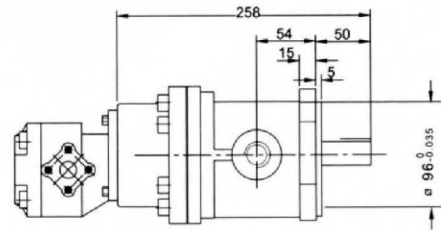
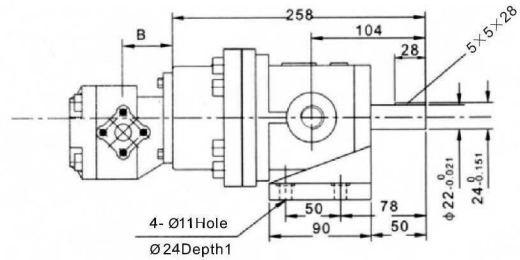
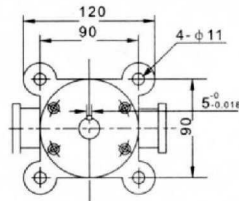
#### Dimensions

50T+SL(Gear pump)

Foot type



Flang type

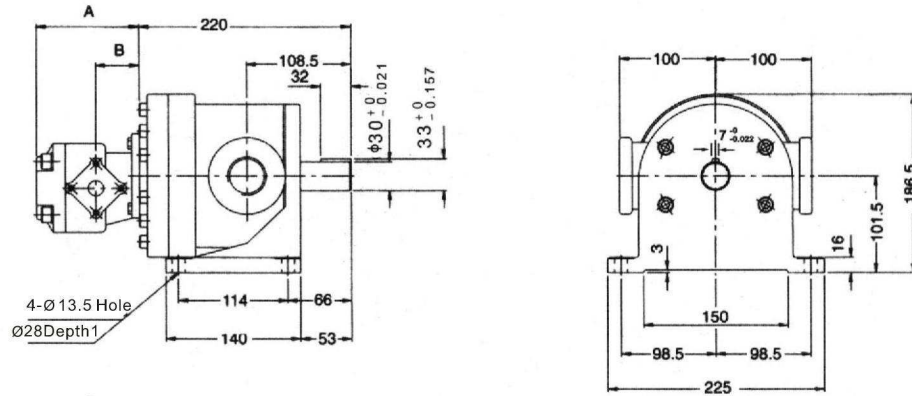


- 規格修改，本公司不另行通知
- Specification is subjected to change without notice.

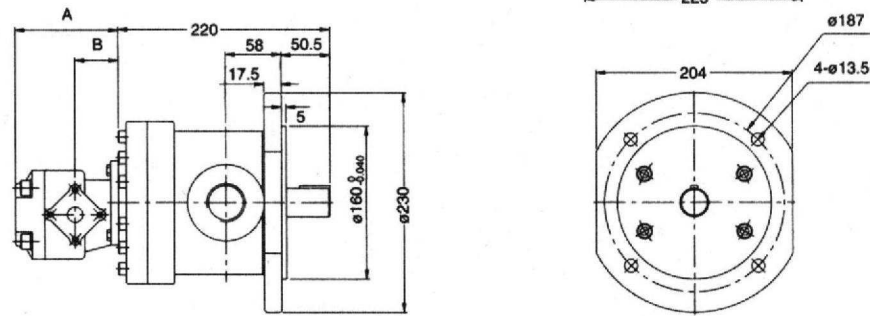
## Dimensions

150+SL (Gear pump)

Foot type

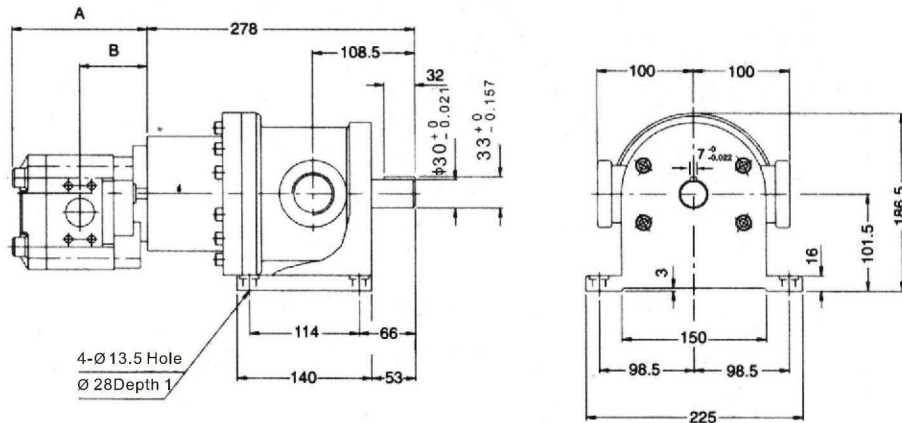


Flange type

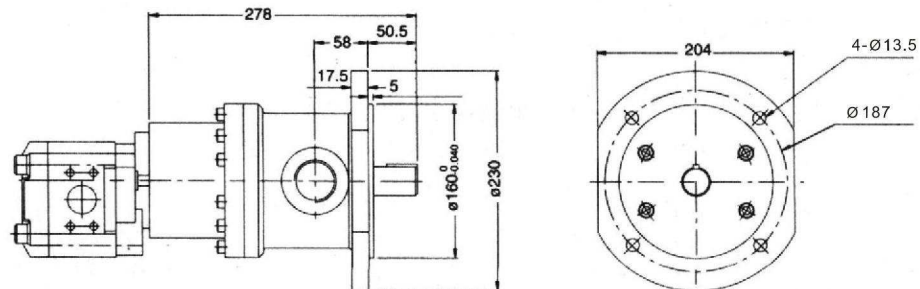


150+SL (Gear pump)

Foot type



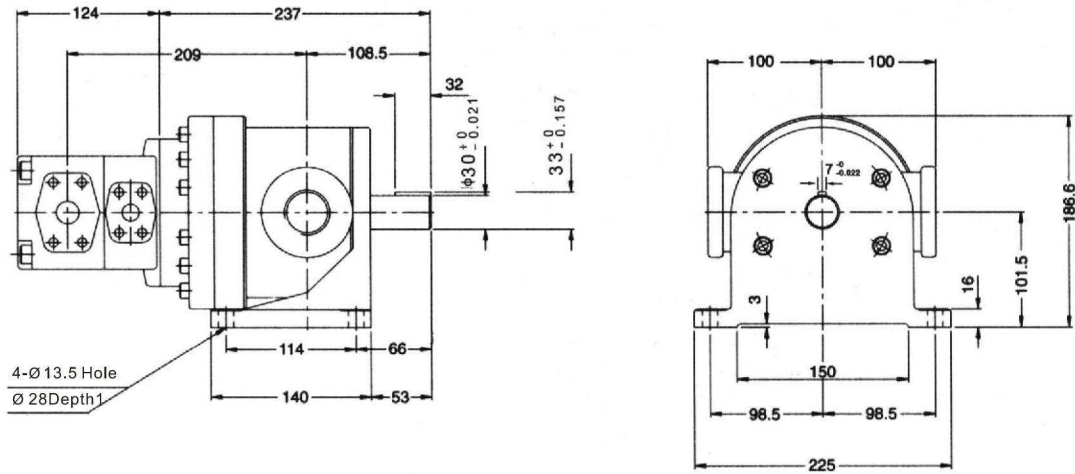
Flange type



### Dimensions

#### 150T+SL(Hi-pressure fixed displacement vane pump)

##### Foot type



##### Flange type

