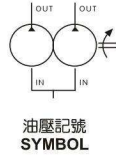


FIXED DUAL DISPLACEMENT VANE PUMPS

50T+50T、150T+50T、150T+150T Series



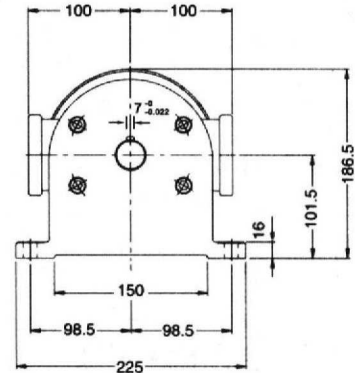
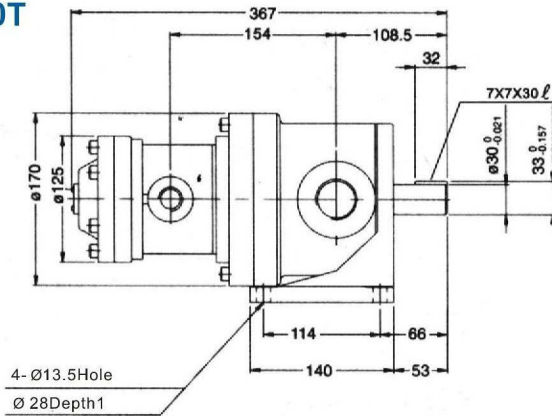
Feature:

1. This pump incorporate combination of two independent 50 T or 150T fixed displacement vane pumps which operated by same shaft and equipped with two outlets and inlets which may supply two different hydraulic systems with working fluid.
2. Fit for hydraulic system with two synchronous acting cylinders, e.g. Special-purpose processing machines, machine tools etc..

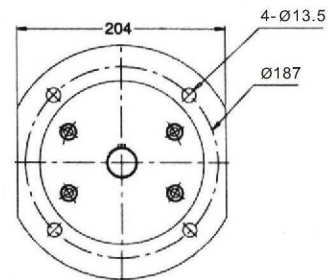
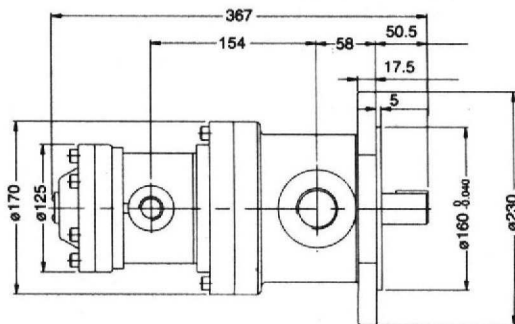
Dimensions

150T+50T

Foot type



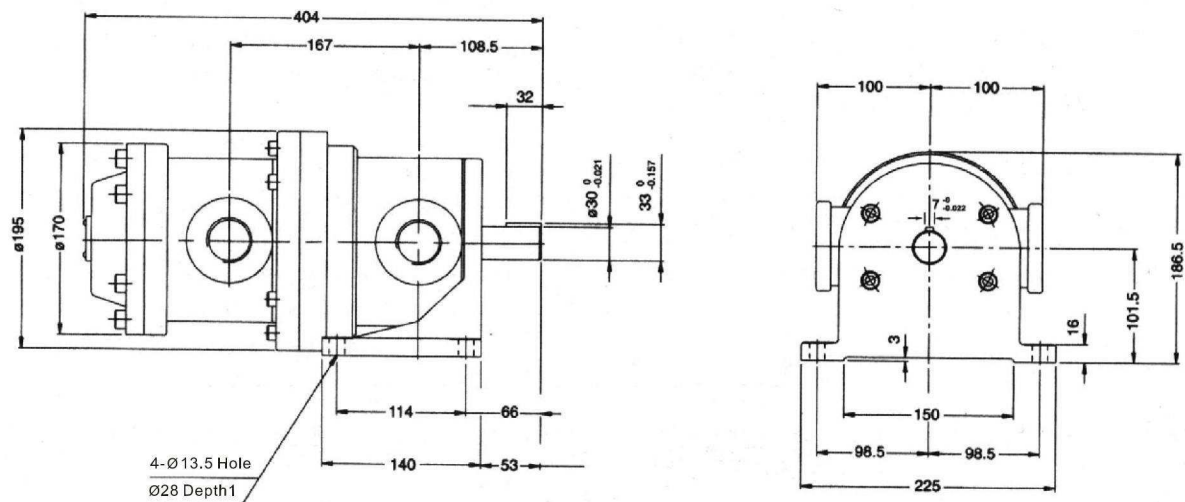
Flange type



Dimensions

150T + 150T

Foot type



Flange type

