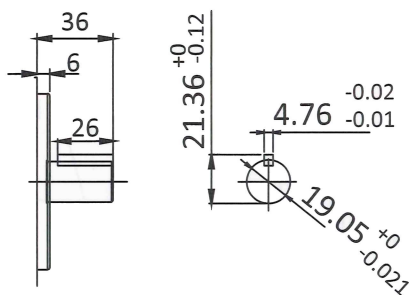
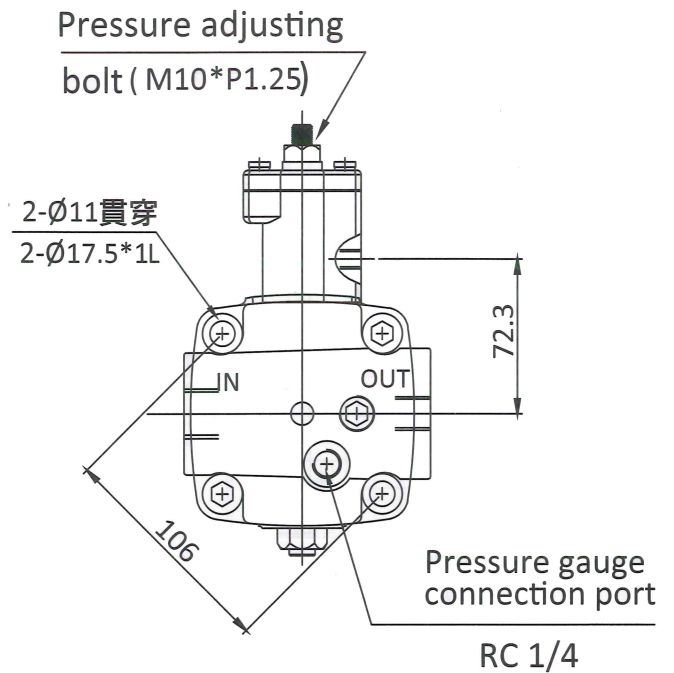
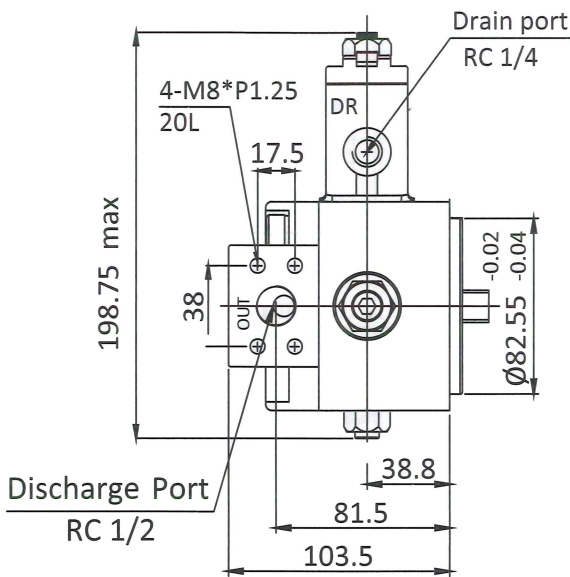


KVDN

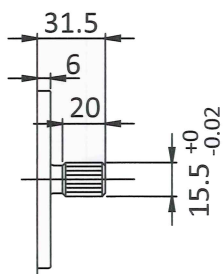
Dimensional Drawing

KVDN-8
KVDN-12
KVDN-16
KVDN-21

Motor-side leak-proof (馬達端防漏型 KVDN-*-A-*)



NO : 01 - Shaft

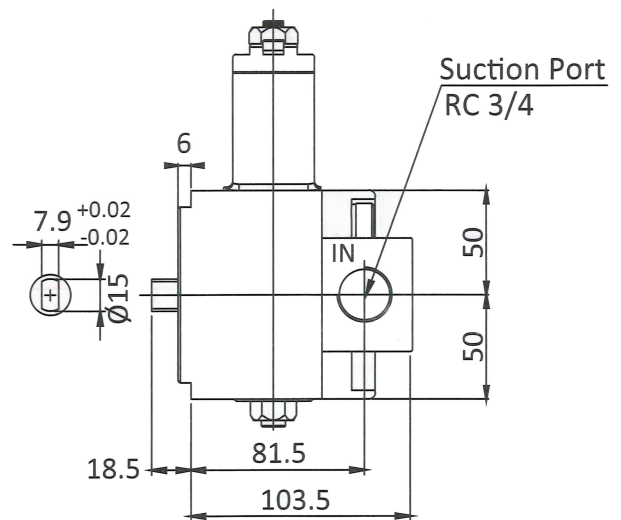


Diametral Pitch : 16/32

Pressure Angle : 30°

No. of Teeth : 9

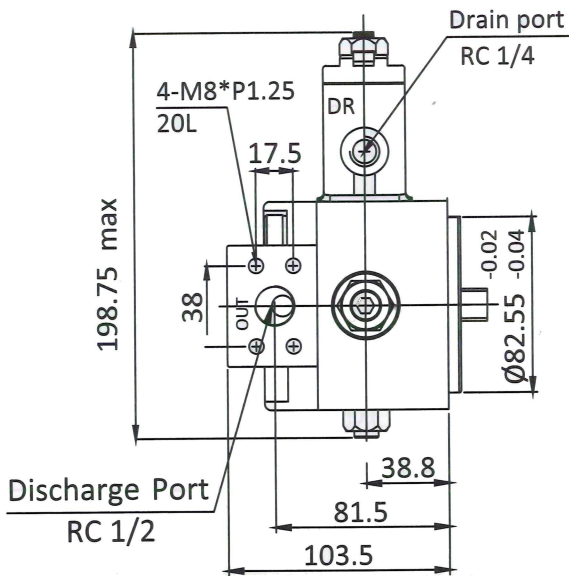
NO.03-Shaft



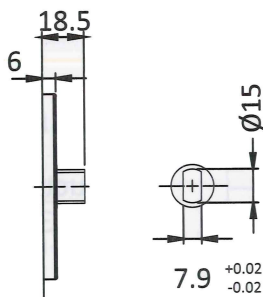
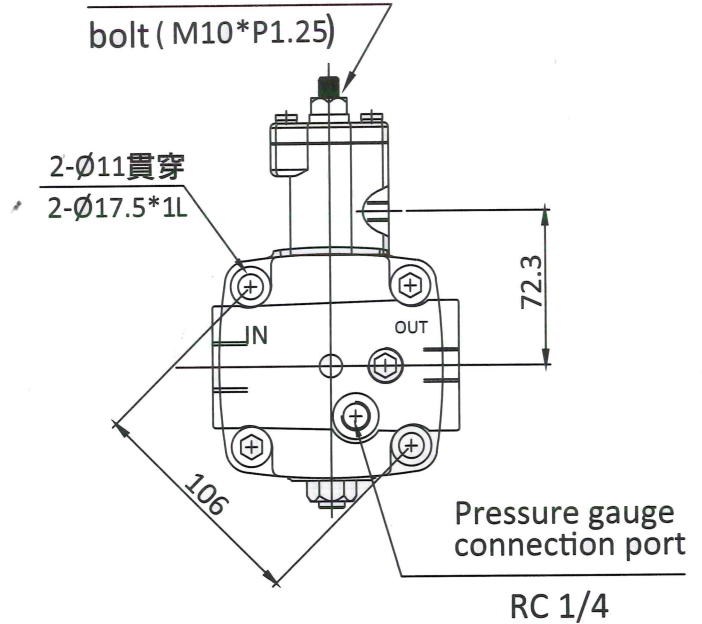
NO : 02 - Shaft

KVDN-8
KVDN-12
KVDN-16
KVDN-21

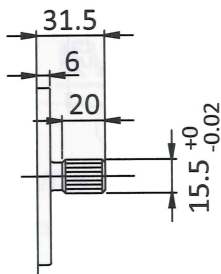
Pump-side leak-proof (泵端防漏型 KVDN-*-B-*)



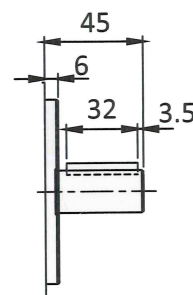
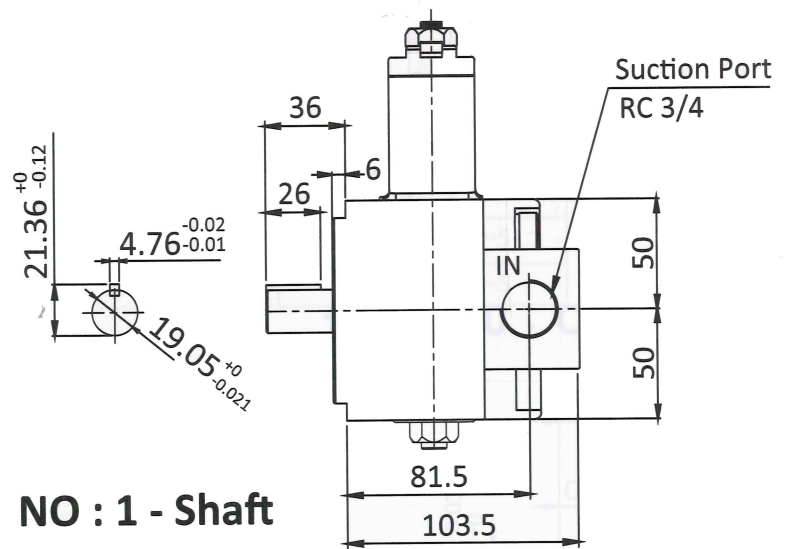
Pressure adjusting
bolt (M10*P1.25)



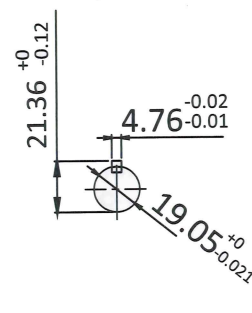
NO : 2 - Shaft



Diametral Pitch : 16/32
 Pressure Angle : 30°
 No. of Teeth : 9
NO.03-Shaft



NO : 4 - Shaft



(2.242 : 1)