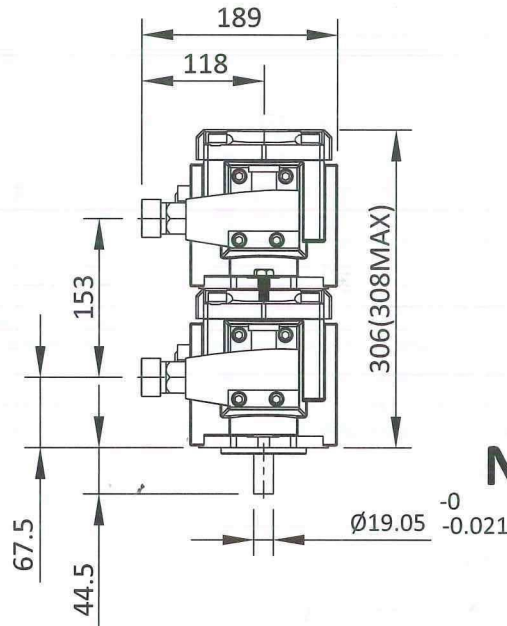


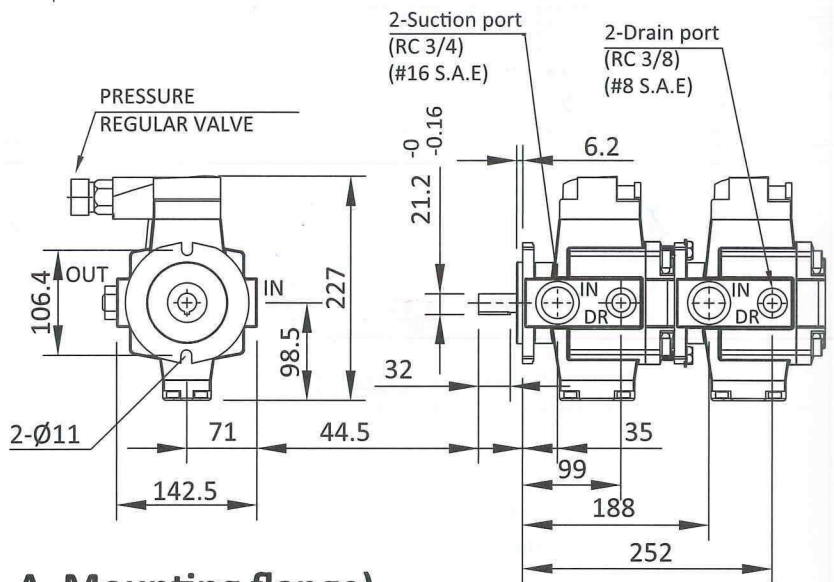
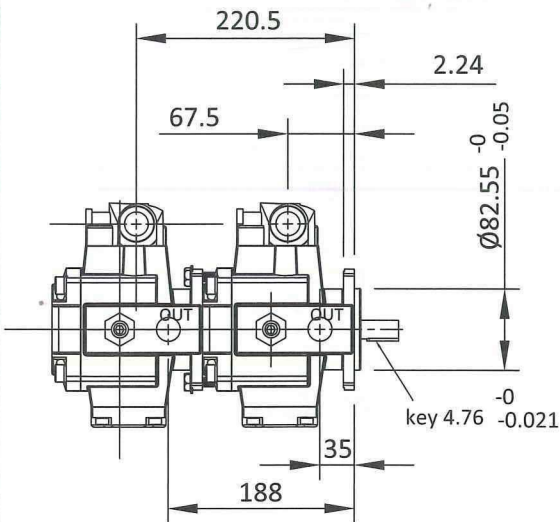
KPVV-** SERIES

Variable Double Vane Pump Dimensional Drawing

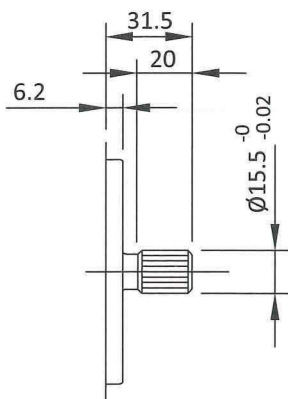
KPVV-8. *
KPVV-12. *
KPVV-16. *
KPVV-20. *
KPVV-23. *



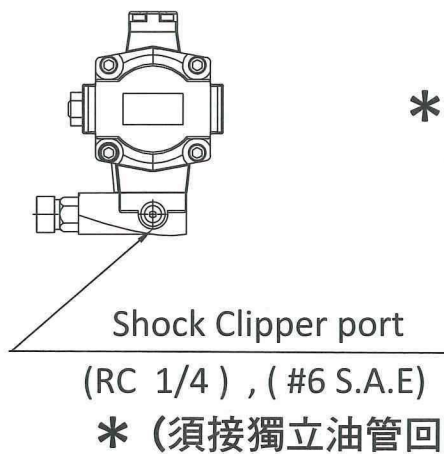
NO.01-Shaft



(SAE A Mounting flange)



Diametral Pitch : 16/32
 Pressure Angle : 30°
 No. of Teeth : 9
 Available on "A" Cover only
NO.02-Shaft

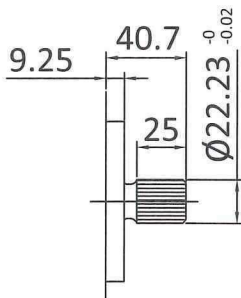
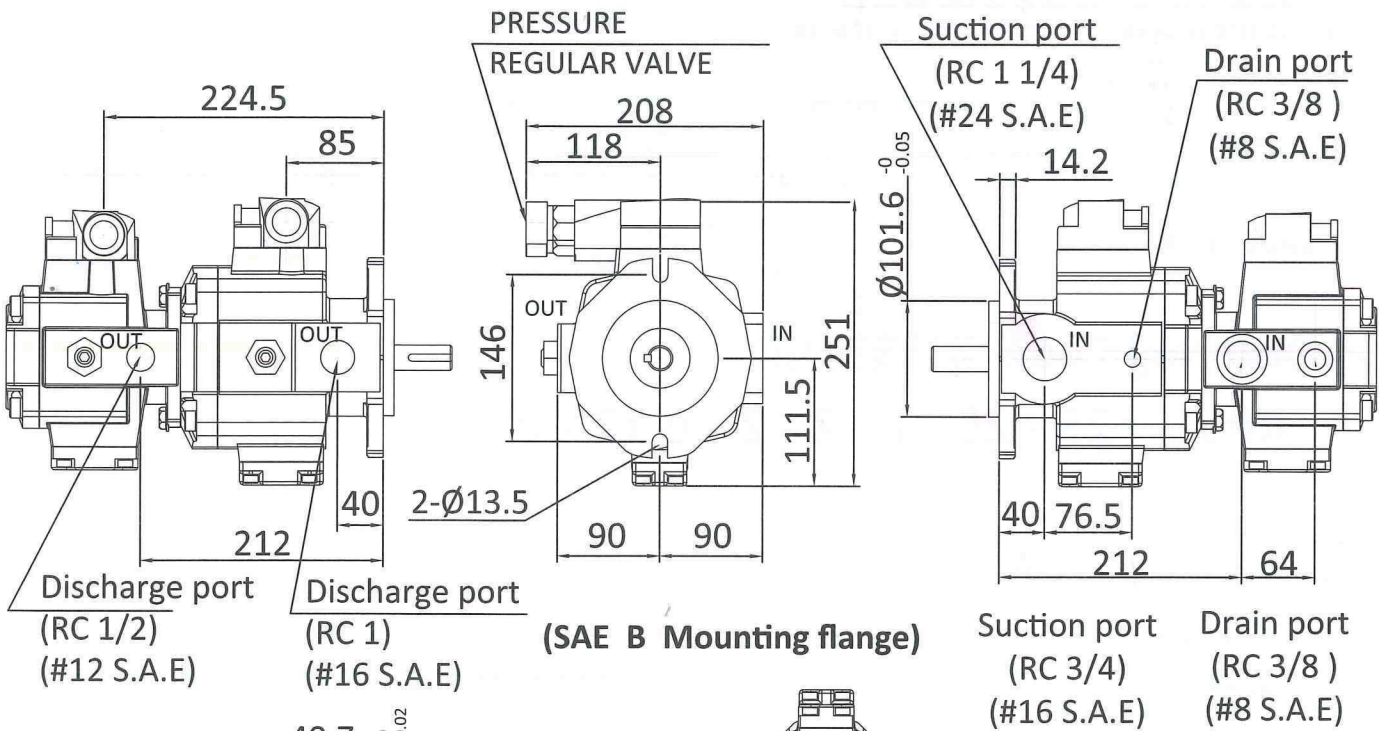
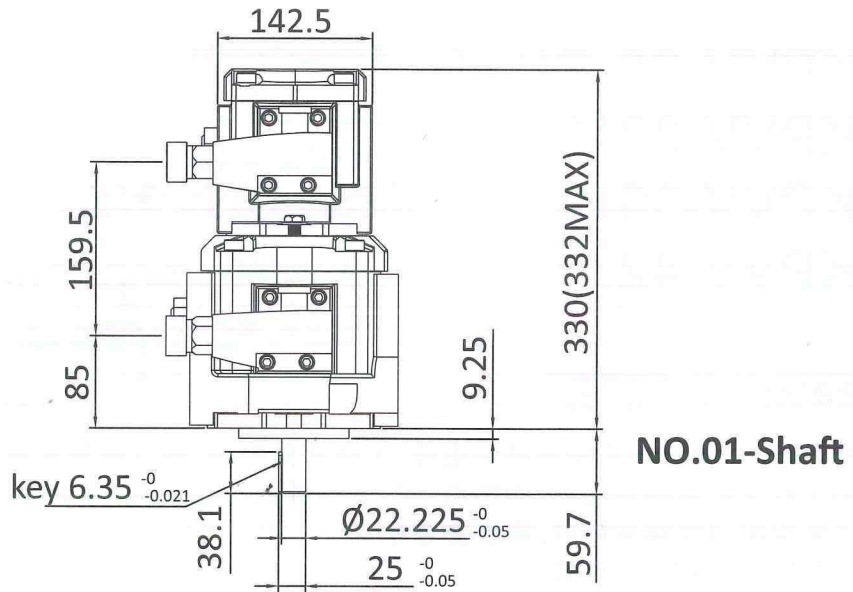


* Shock Clipper port
 Should be plumbed
 to tank to activate
 shock clipper

KPVV SERIES

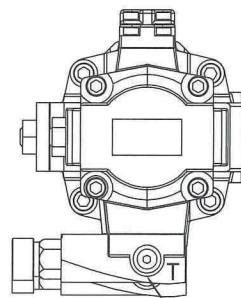
Variable Double Pump Dimensional Drawing

KPVV-25 *
KPVV-32 *
KPVV-36 *
KPVV-42 *



SAE-B splined shaft
 Diametral Pitch : 16/32
 Pressure Angle : 30°
 No. of Teeth : 13

NO.02-Shaft



Shock Clipper port (RC 1/4) , (#6 S.A.E)

*** (須接獨立油管回油箱)**

* Shock Clipper port
 Should be plumbed
 to tank to activate
 shock clipper