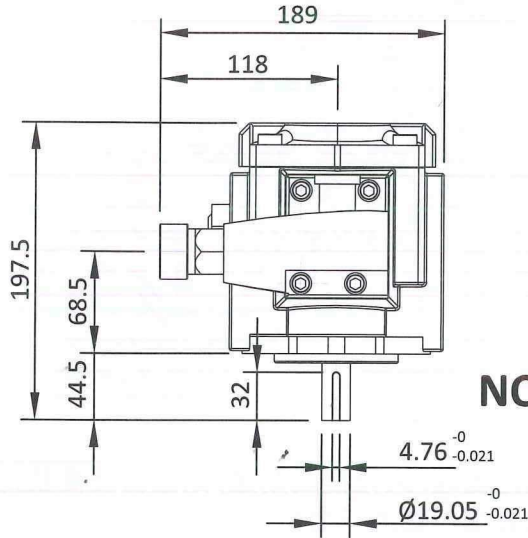


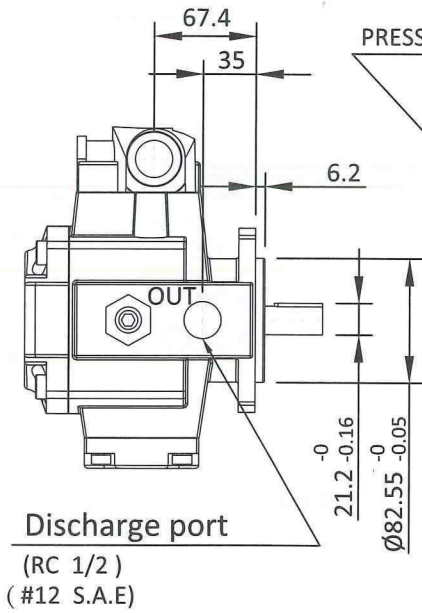
KPV SERIES

Variable Vane Pump Dimensional Drawing

KPV-8
KPV-12
KPV-16
KPV-20
KPV-23



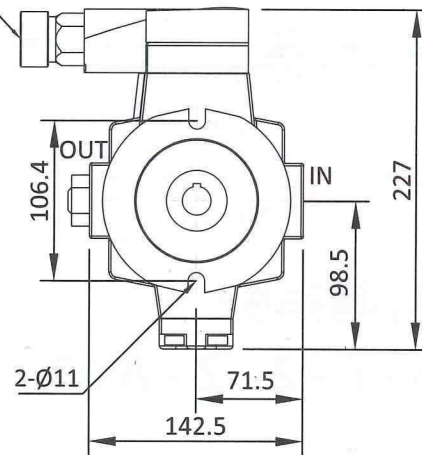
NO.01-Shaft



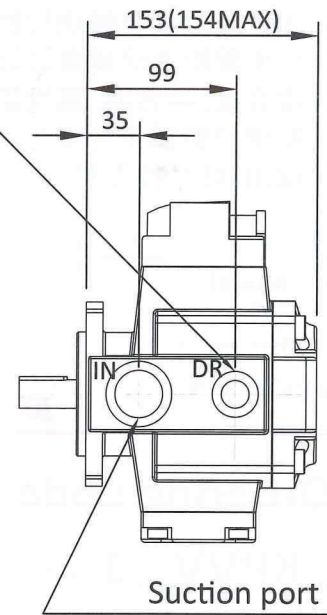
Discharge port

(RC 1/2)
 (#12 S.A.E)

PRESSURE REGULAR VALVE



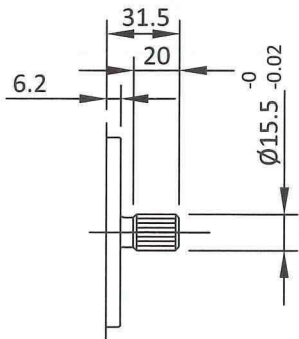
Drain port
 (RC 3/8)
 (#8 S.A.E)



Suction port

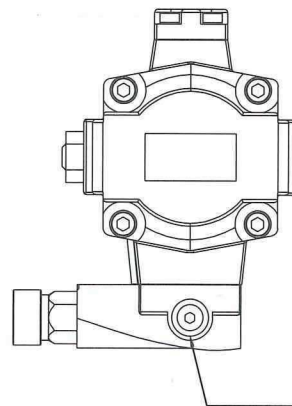
(RC 3/4)
 (#16 S.A.E)

(SAE A Mounting flange)



Diametral Pitch : 16/32
 Pressure Angle : 30°
 No. of Teeth : 9
 Available on "A" Cover only

NO.02-Shaft



*Shock Clipper port
 Should be plumbed
 to tank to activate
 shock clipper

Shock Clipper port

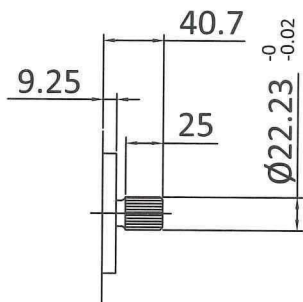
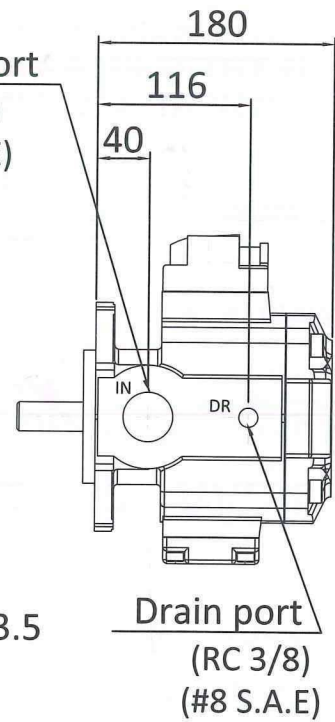
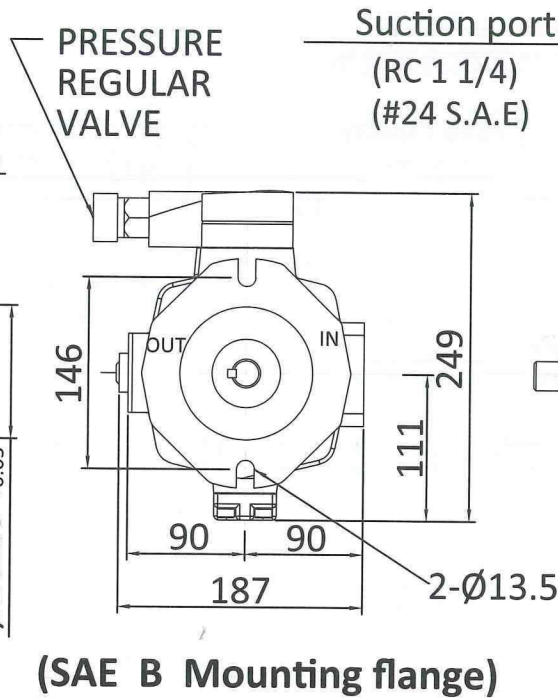
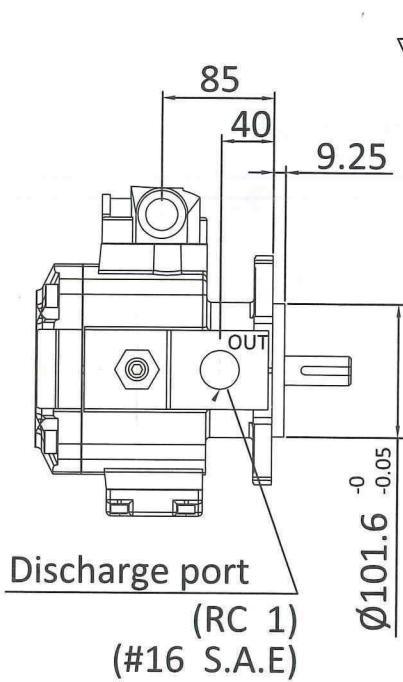
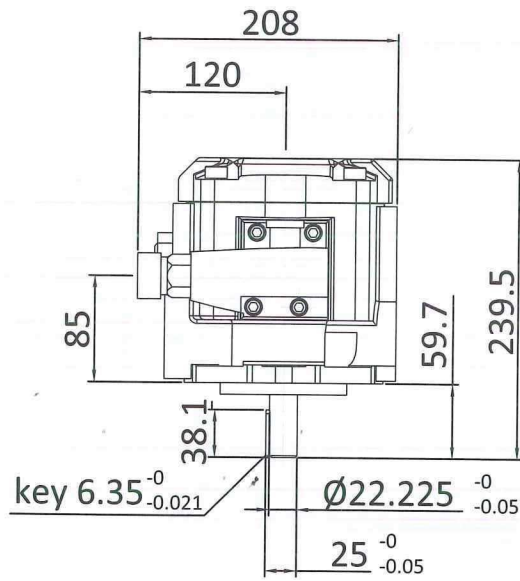
(RC 1/4) , (#6 S.A.E)

* (須接獨立油管回油箱)

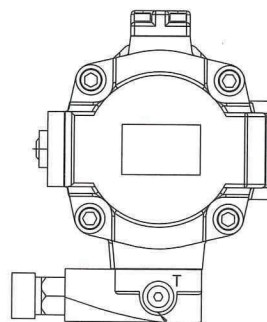
KPV SERIES

Variable Vane Pump Dimensional Drawing

KPV-25
KPV-32
KPV-36
KPV-42



SAE-B splined shaft
 Diametral Pitch : 16/32
 Pressure Angle : 30°
 No. of Teeth : 13
NO.02-Shaft



Shock Clipper port
 (RC 1/4) , (#6 S.A.E)
 * (須接獨立油管回油箱)

*Shock Clipper port
 Should be plumbed
 to tank to activate
 shock clipper