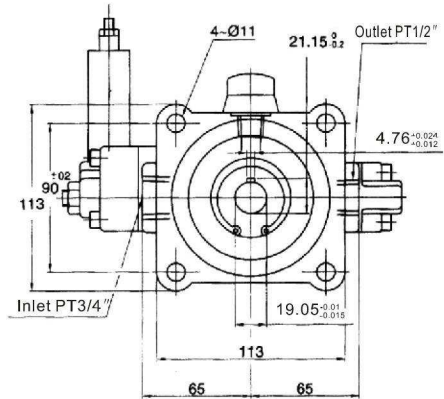
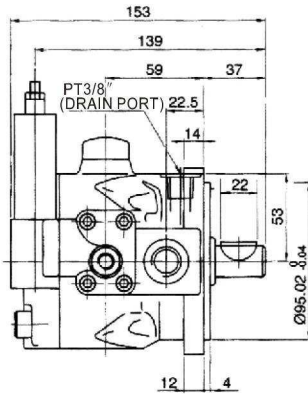
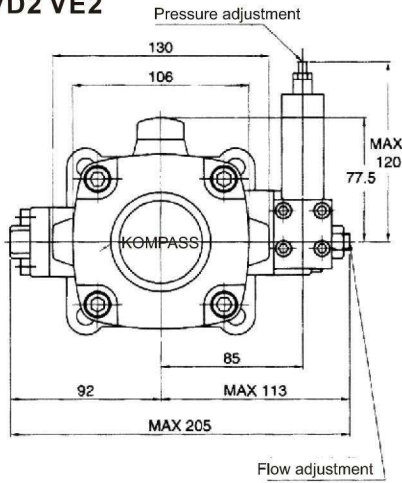
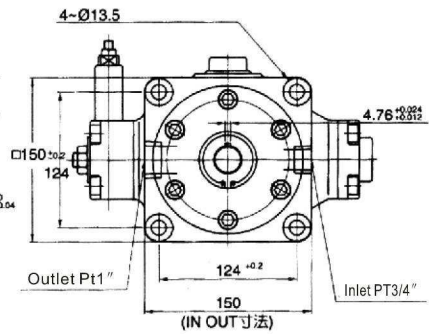
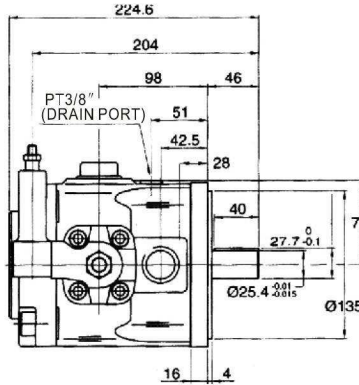
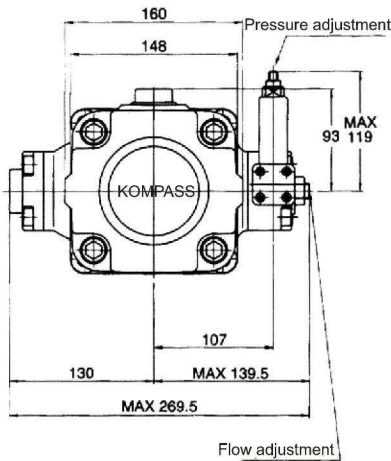


## ■ 尺寸 Dimension

### VD2 VE2



### VF2 VK2



## ■ Performance curves: (Test conditions viscosity 20 cSt, ISO VG32, Temperature: 50°C) A. Pressure-displacement-shaft input characteristics:

