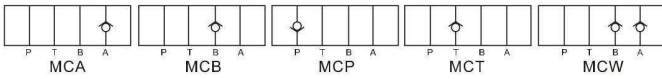


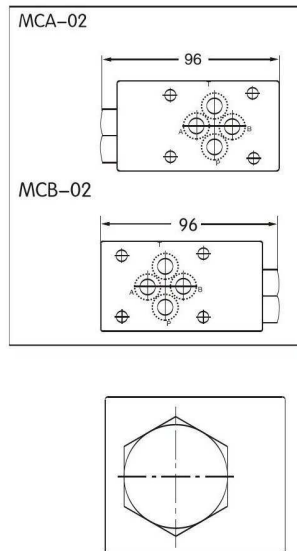
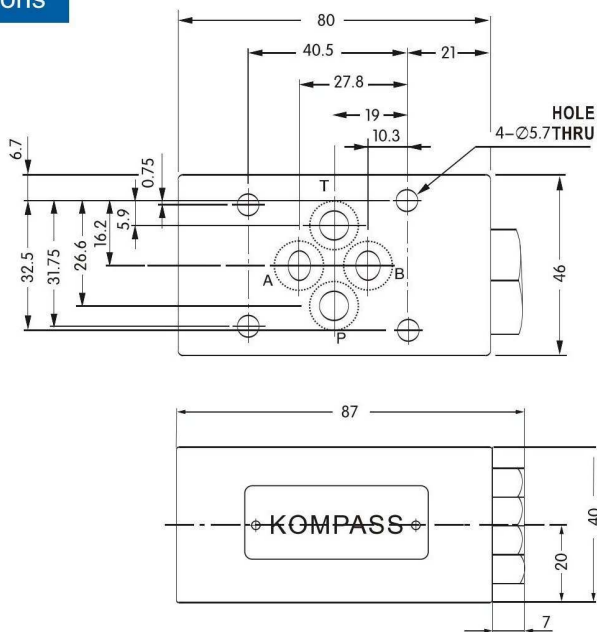
MODULAR CHECK VALVES

MC※-02、03、04、06 SERIES



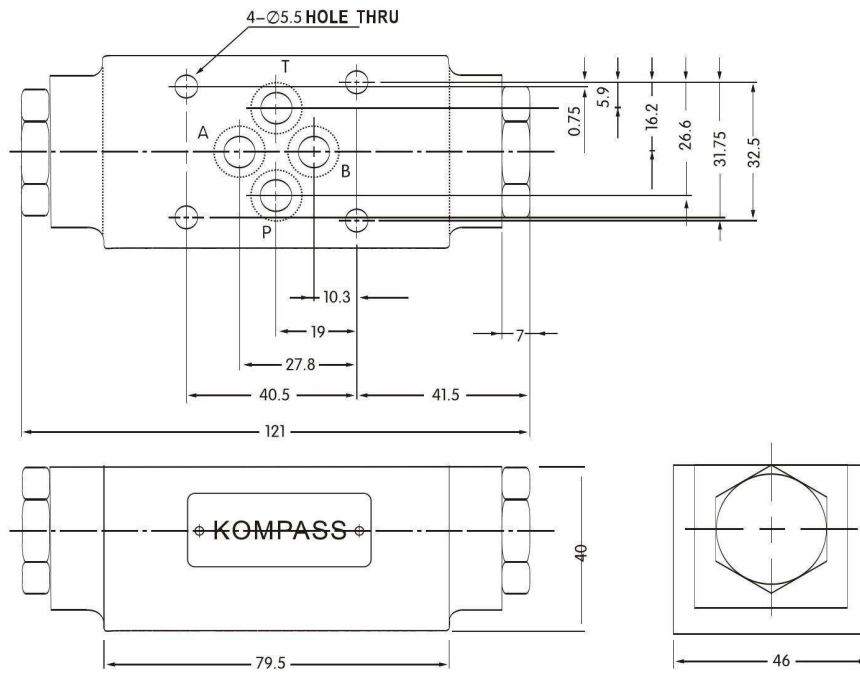
Dimensions

MCP-02
MCT-02

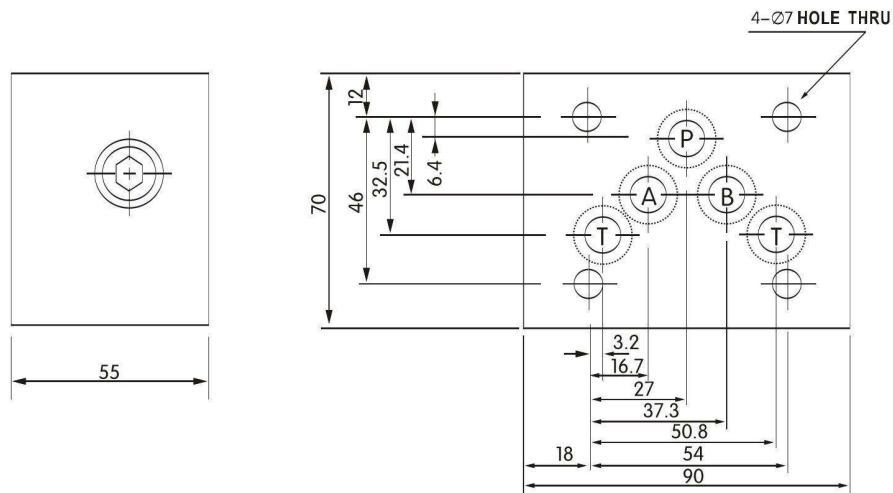


Dimensions

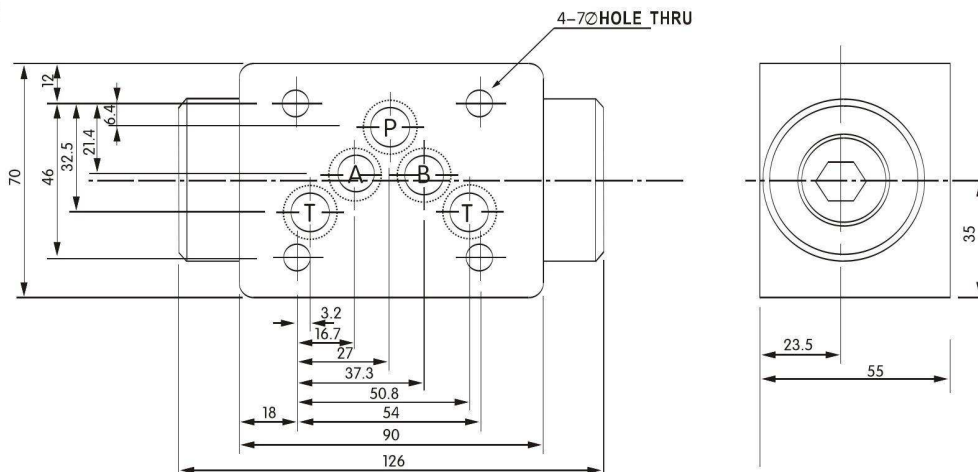
MCW-02



MCP-03

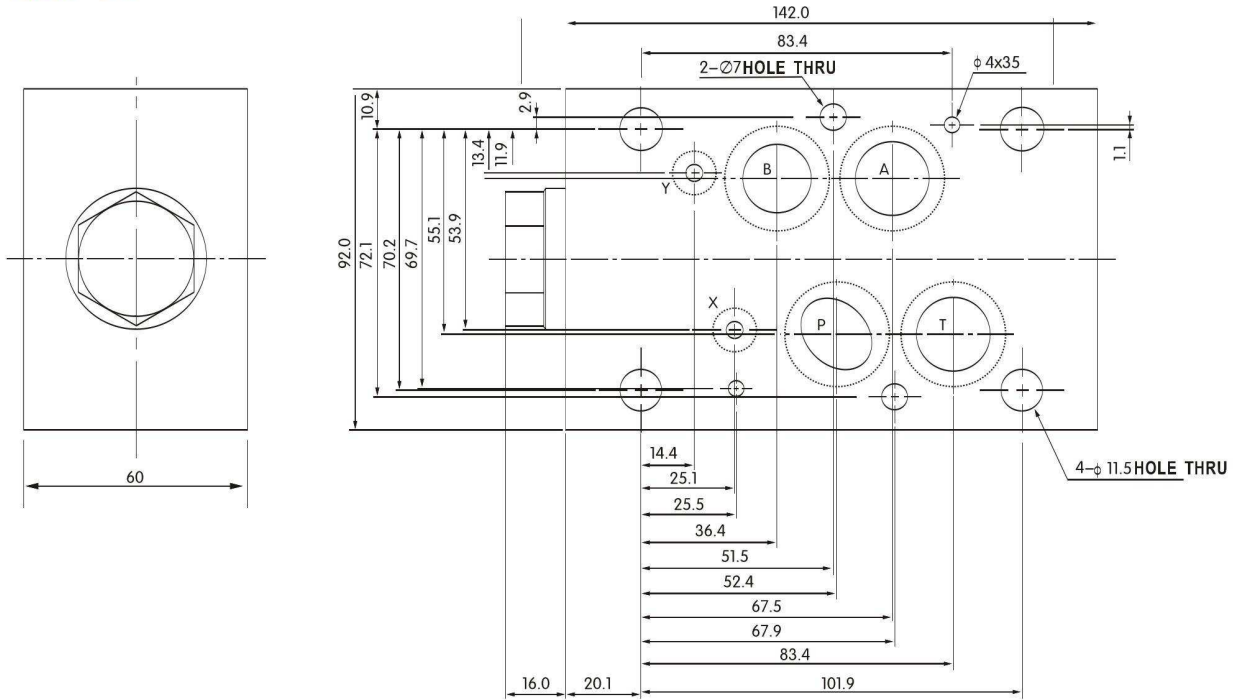


MCA-03
MCB-03
MCW-03

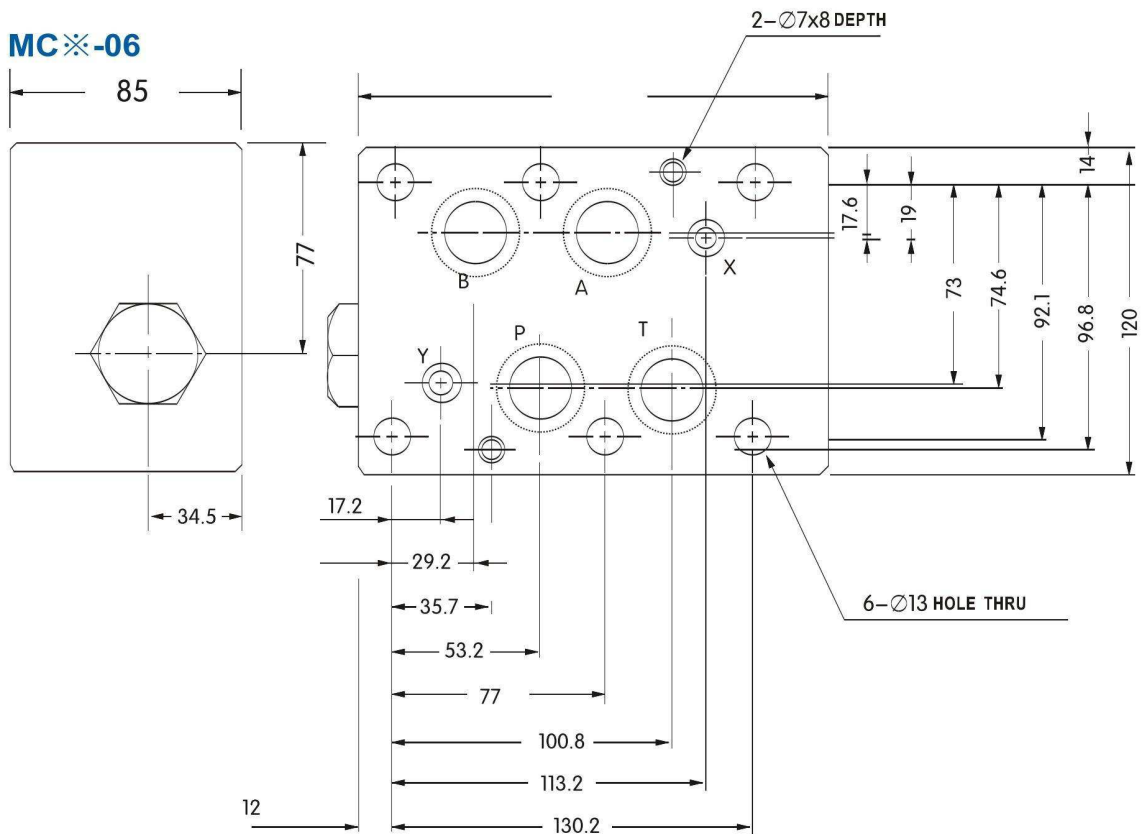


Dimensions

MCP-04



MC※-06



- 規格修改，本公司不另行通知
- Specification is subjected to change without notice.