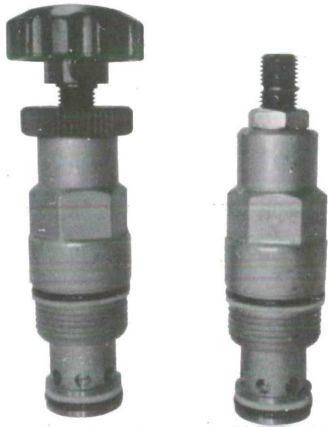
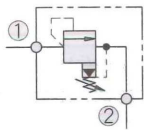


## 螺紋式插裝溢流閥-引導、快速反應

Screw-in relief cartridge valve-Pilot operated、Rapid response type



油壓符號 Symbol



閥孔型號 Valve Cavity : C062  
 成型刀具 Cavity Tools : CTS6-D. CTS6-R  
 請參閱 Reference P97

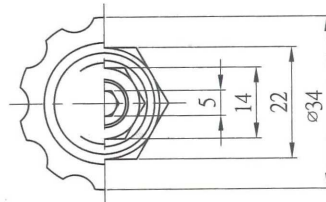
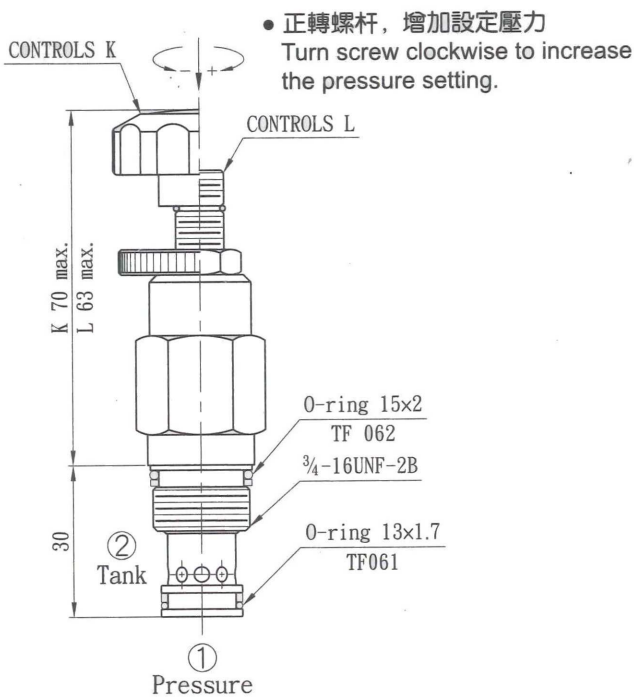
### ■ 特性/Characteristic:

- 快速反應，響應時間2ms，低泄漏量（小于5滴/分鐘）
- 壓力調整不穩定且不是設計為連續負荷使用
- Fast acting 2ms response time Low leakage(less than 5 drops/min) at reseal
- These cartridges exhibit very rapid response, but pressure regulation can be unstable and the valves are not designed for continuous duty applications

### ■ 性能表/Specification:

型號 Model	閥系說明 Description	額定流量 Rated Flow	最高壓力 Max. pressure	重量 Weight
CRQ-062	引導式 Pilot operated 快速反應 Rapid response	60 l/min	315bar	K: 0.16Kg L: 0.13Kg

### ■ 尺寸圖/Dimensions (mm)



### ■ 壓損曲綫/Flow-Pres. Drop Curve

