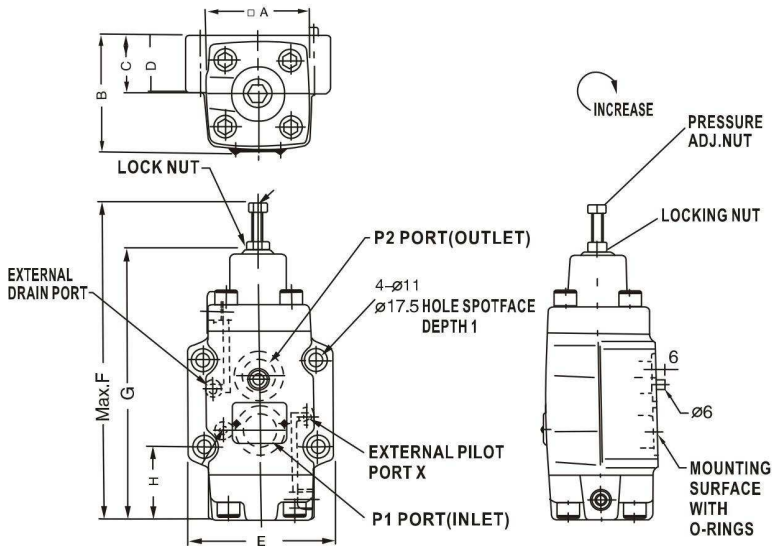


Dimensions

HG-03、06

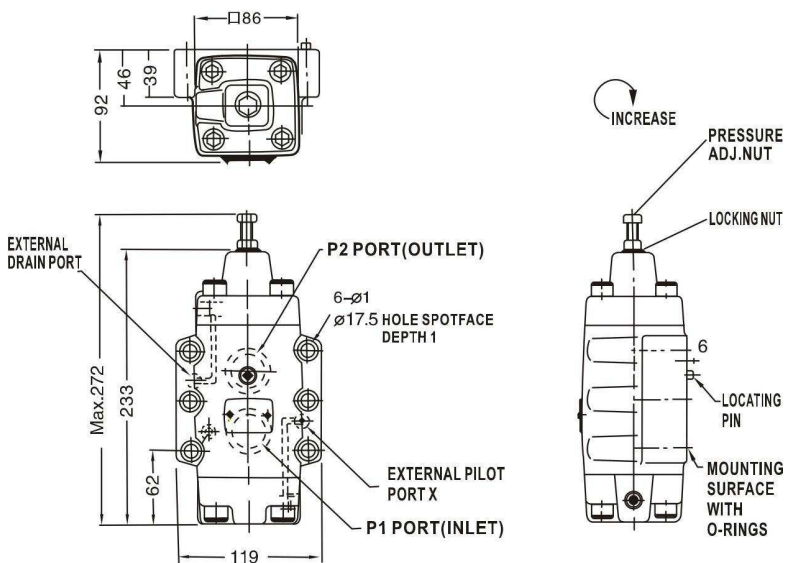
TYPE3:SEQUENCE VALVES
(EXTERNAL PILOT EXTERNAL DRAIN)



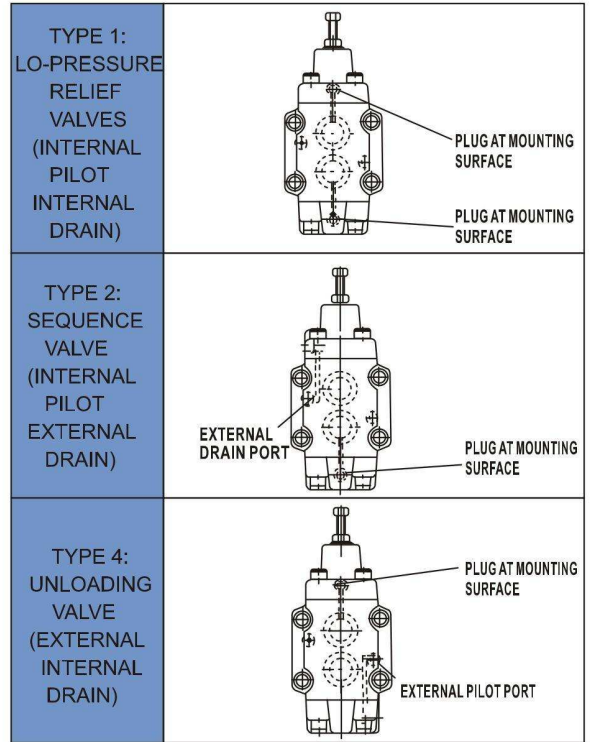
MODEL	A	B	C	D	E	F	G	H
HG-03	60	67	35	39	89	191	163	49.6
HG-06	73	79	40	39	102	221	188	51

HG-10

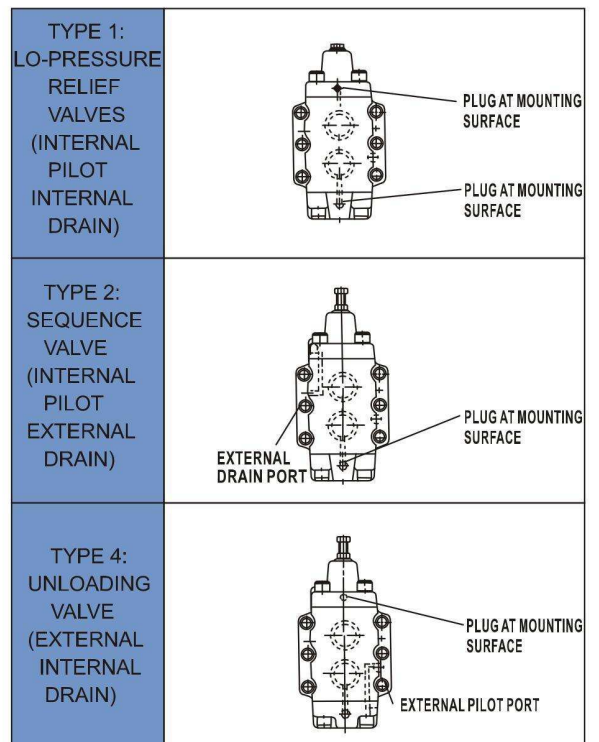
TYPE3:SEQUENCE VALVES
(EXTERNAL PILOT EXTERNAL DRAIN)



Mounting Surface : ISO 5781 standard



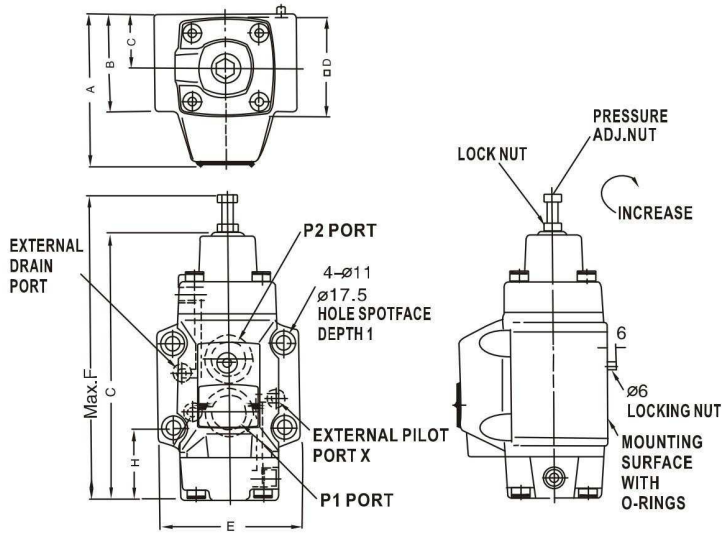
Mounting Surface : ISO 5781 standard



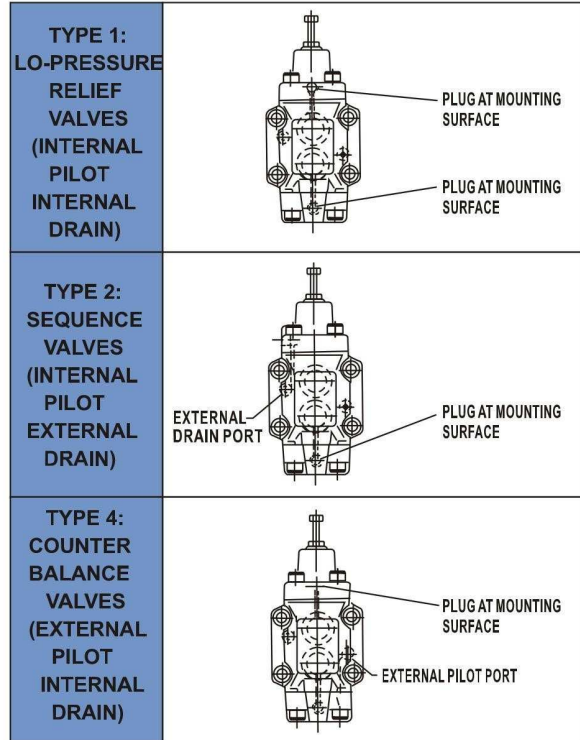
Dimensions

HCG-03、06

TYPE3:SEQUENCE VALVES
(EXTERNAL PILOT EXTERNAL DRAIN)



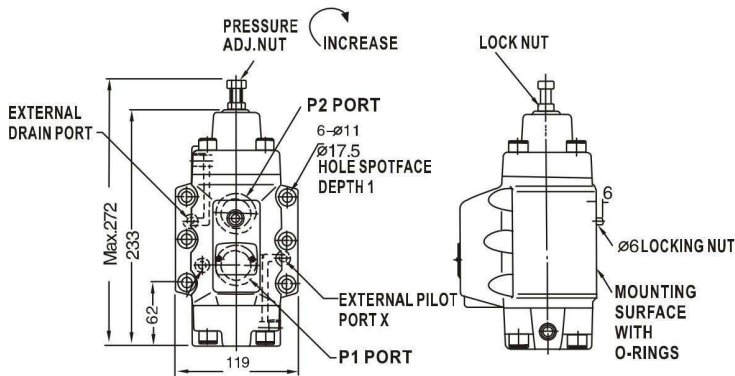
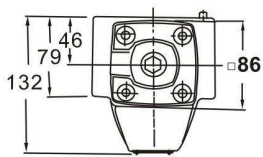
Mounting Surface : ISO 5781 standard



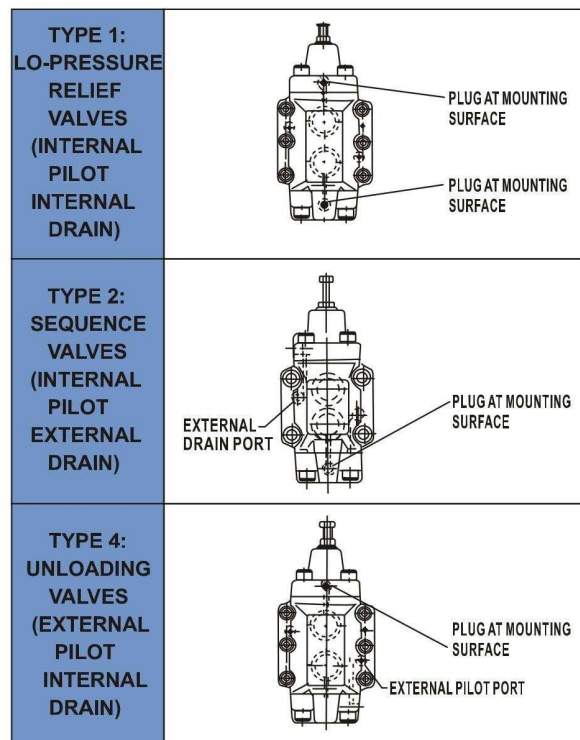
MODEL	A	B	C	D	E	F	G	H
HCG-03	90	59	35	60	89	191	163	49.6
HCG-06	108	69	40	73	102	221	188	51

HCG-10

TYPE3:SEQUENCE VALVES
(EXTERNAL PILOT EXTERNAL DRAIN)



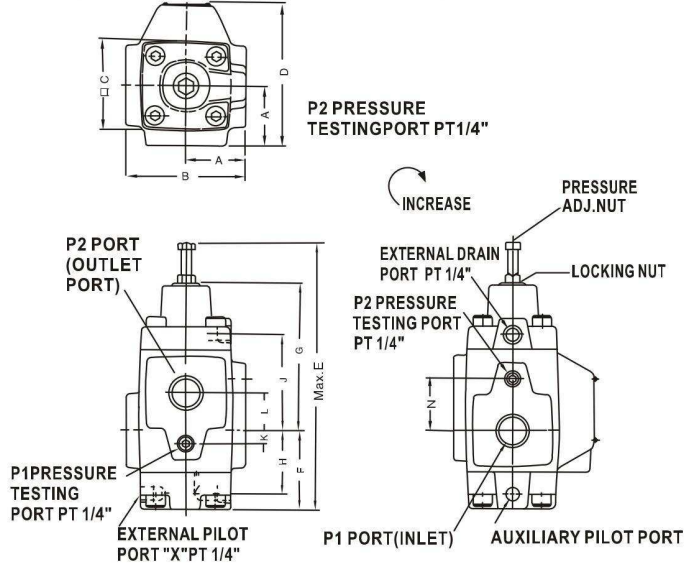
Mounting Surface : ISO 5781 standard



Dimensions

HCT-03、06、10

TYPE3:SEQUENCE WITH CHECK VALVE
(EXTERNAL PILOT EXTERNAL DRAIN)

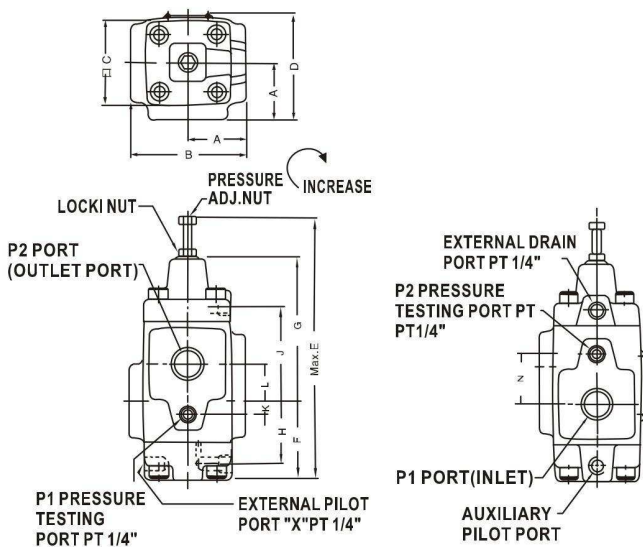


MODEL	A	B	C	D	E	F	G	H	J	K	L	N	O
HCT-03	41	82	60	96	191	57	106	43	70	0	28	28	3 / 8 "
HCT-06	48	96	73	116	221	64.5	123.5	50.5	80.5	9	33	42	3 / 4 "
HCT-10	66	132	86	152	272	84	149	66	98	12	40	52	1 1 / 4 "

© REMARKS: THERE ARE TWO 1ST PRESSURE PORTS FOR HCT OR HT TYPE, ONE PORT CAN BE OUTLET, OR ONE OF THEM IS PLUGGED.

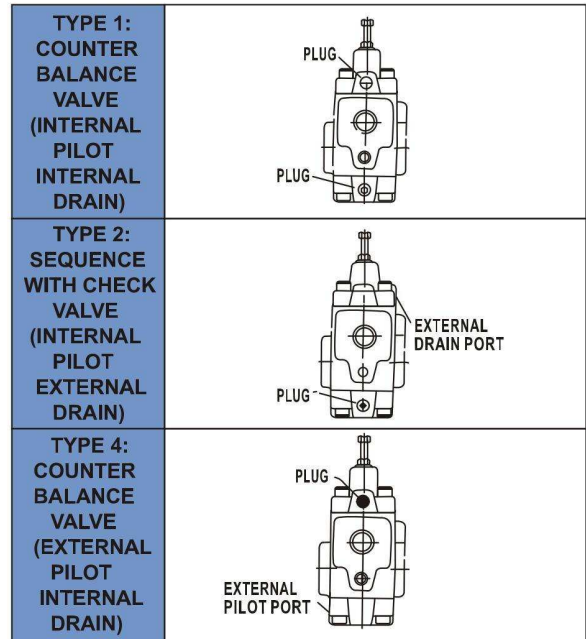
HT-03、06、10

TYPE3:SEQUENCE VALVE
(EXTERNAL PILOT EXTERNAL DRAIN)



MODEL	A	B	C	D	E	F	G	H	J	K	L	N	O
HT-03	41	82	60	74	191	57	106	43	70	0	28	28	3 / 8 "
HT-06	48	96	73	87	221	64.5	123.5	50.5	80.5	9	33	42	3 / 4 "
HT-10	66	132	86	112	272	84	149	66	98	12	40	52	1 1 / 4 "

Mounting Surface : ISO 5781 standard



Mounting Surface : ISO 5781 standard

