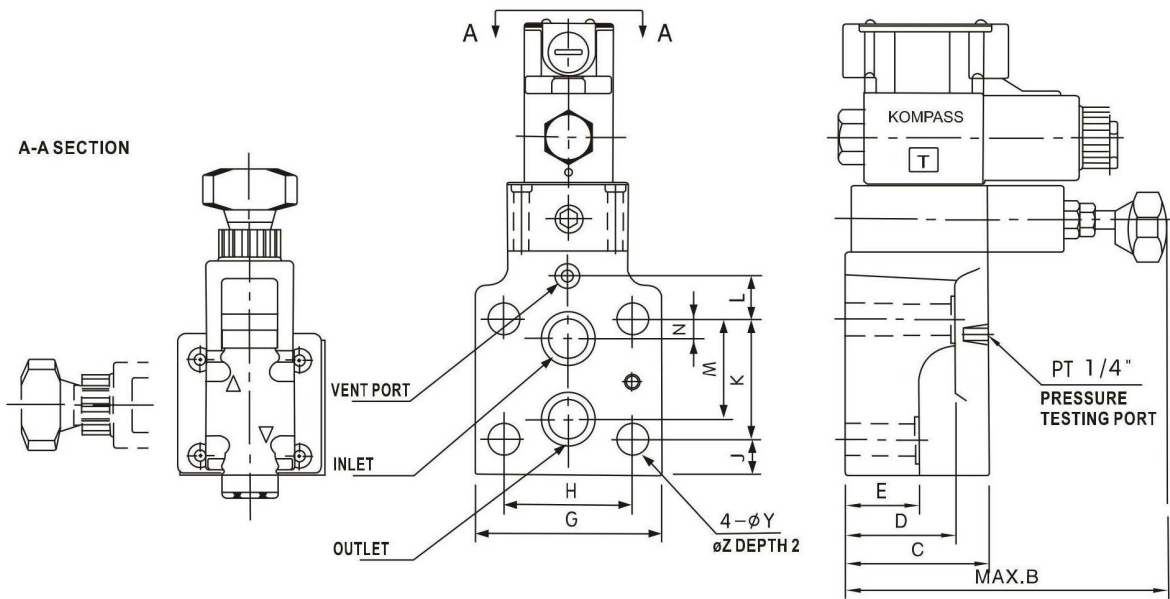


Dimensions

BSG-03、06、10

Mounting Surface : ISO 6264 standard



MODEL	A	B	C	D	E	G	H	J	K
BSG-03	228.5	175	78	78	57	82	53.8	21.5	53.8
BSG-06	254	175	78	60	40	102	70	19	66.7
BSG-10	281	184	87.5	67	47	24	82.6	20	88.9

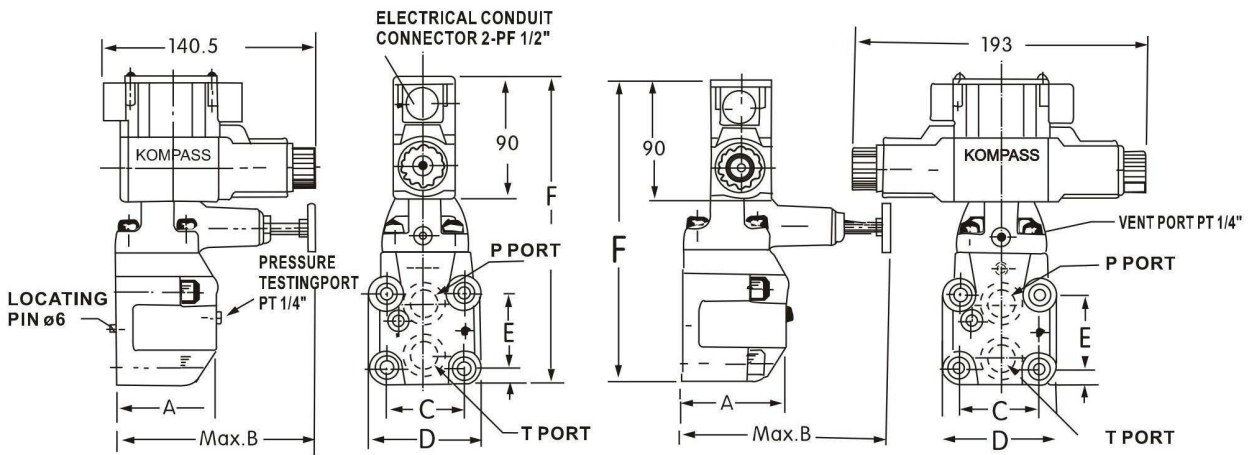
MODEL	A	B	C	D	E	WEIGHT
BSG-03	0	47.5	22	13.5	21	7.5
BSG-06	23.8	55.5	11	17.5	26	8.0
BSG-10	31.8	76.2	12.7	22	32	25

Dimensions

Mounting Surface : ISO 6264 standard

BHSG-06 (-2B2)

BHSG-06 (-3C)



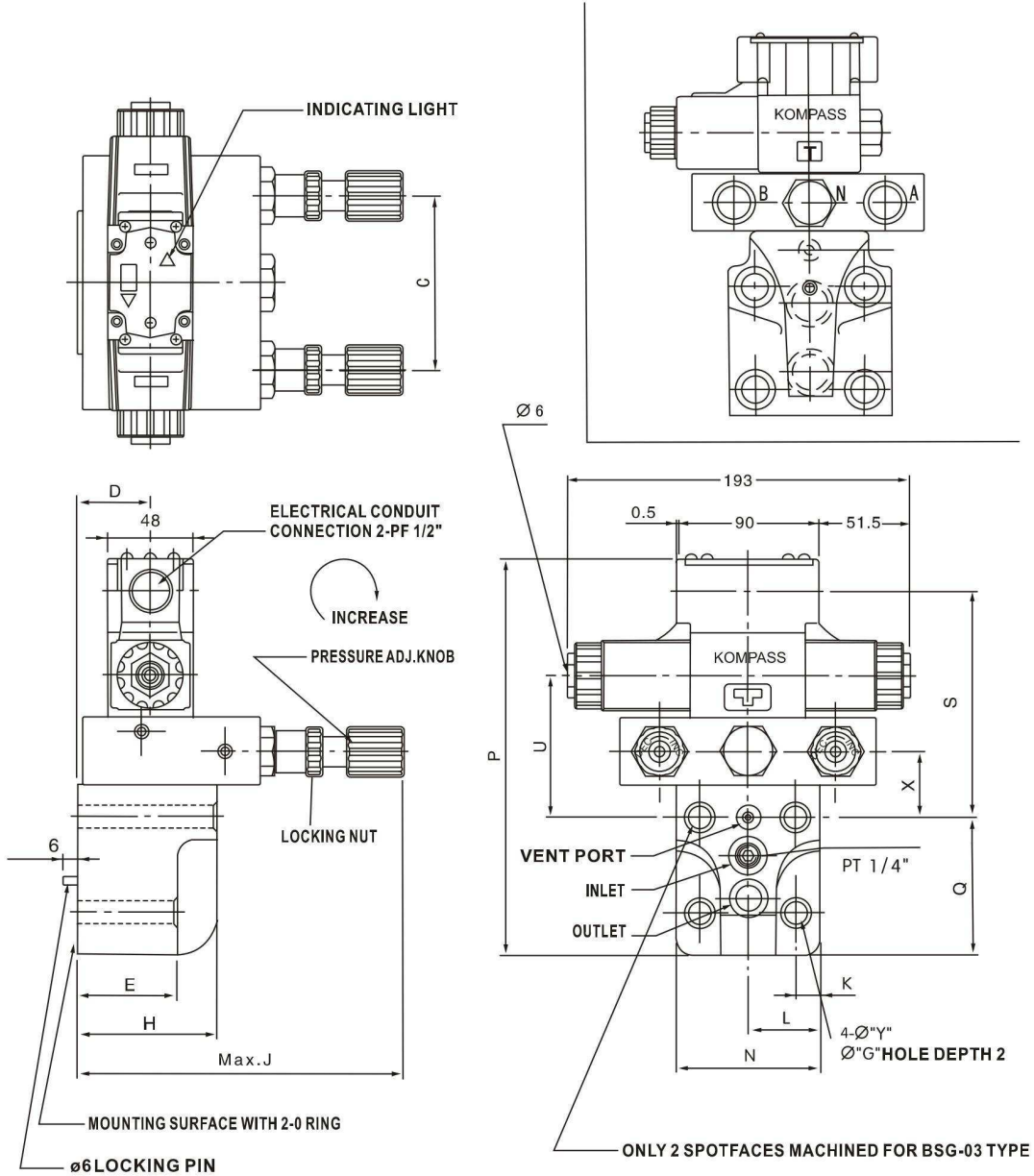
MODEL	A	B	C	D	E	F	G
BHSG-06	93	171	70	100	67	256	16

- 規格修改，本公司不另行通知
- Specification is subjected to change without notice.

Dimensions

BSG-03、06、10-2P (DUOPRESSURE TYPE)

Mounting Surface : ISO 6264 standard



©REMARK:1.CONTROL WAY 2B2、2B2L SINGLE HEAD SOL, 3C6、3C3 WITH DUPLICATE HEADS SOL.

MODEL	C	D	E	F	H	J	K	L	N	P	Q	S	U	X	Y
BSG-03	99	40	57	21	78	185	14.1	41	82	224	77	128	81.6	38.5	13.5
BSG-06	99	40	40	26	78	185	17	52	104	252	86	148	101	58	17.5
BSG-10	99	45	47	32	87.5	185	20.7	62	124	285	110	157	110	65	21.5

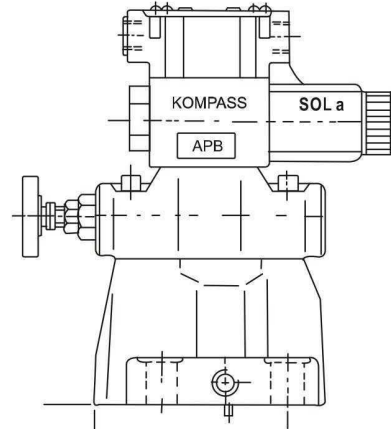
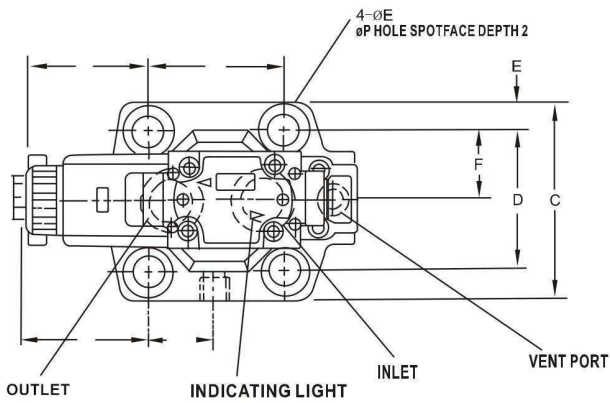
●規格修改，本公司不另行通知
●Specification is subjected to change without notice.

Dimensions

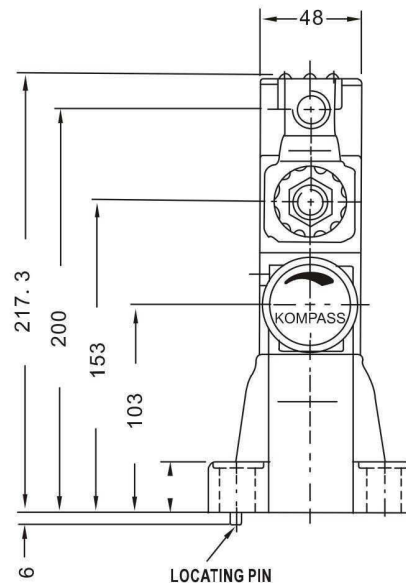
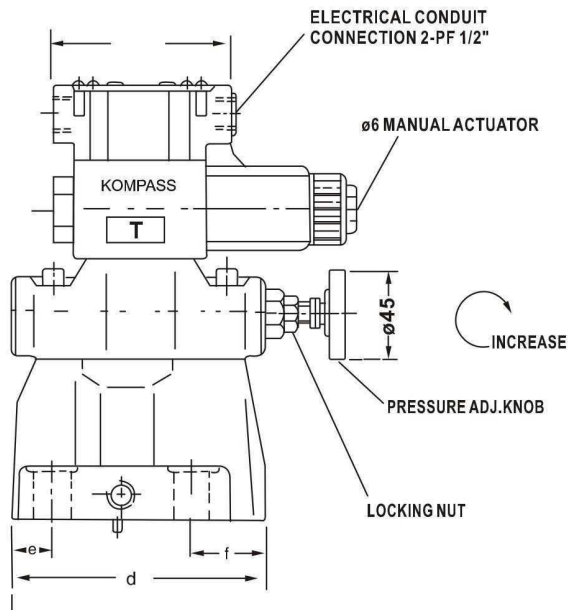
Mounting Surface : ISO 6264 standard

SBSG-03、06-L (SOLENOID VALVE 2B2)

SBSG-03、06-L (SOLENOID VALVE 2B2L)



SBSG-03、06-R (SOLENOID VALVE 2B2)



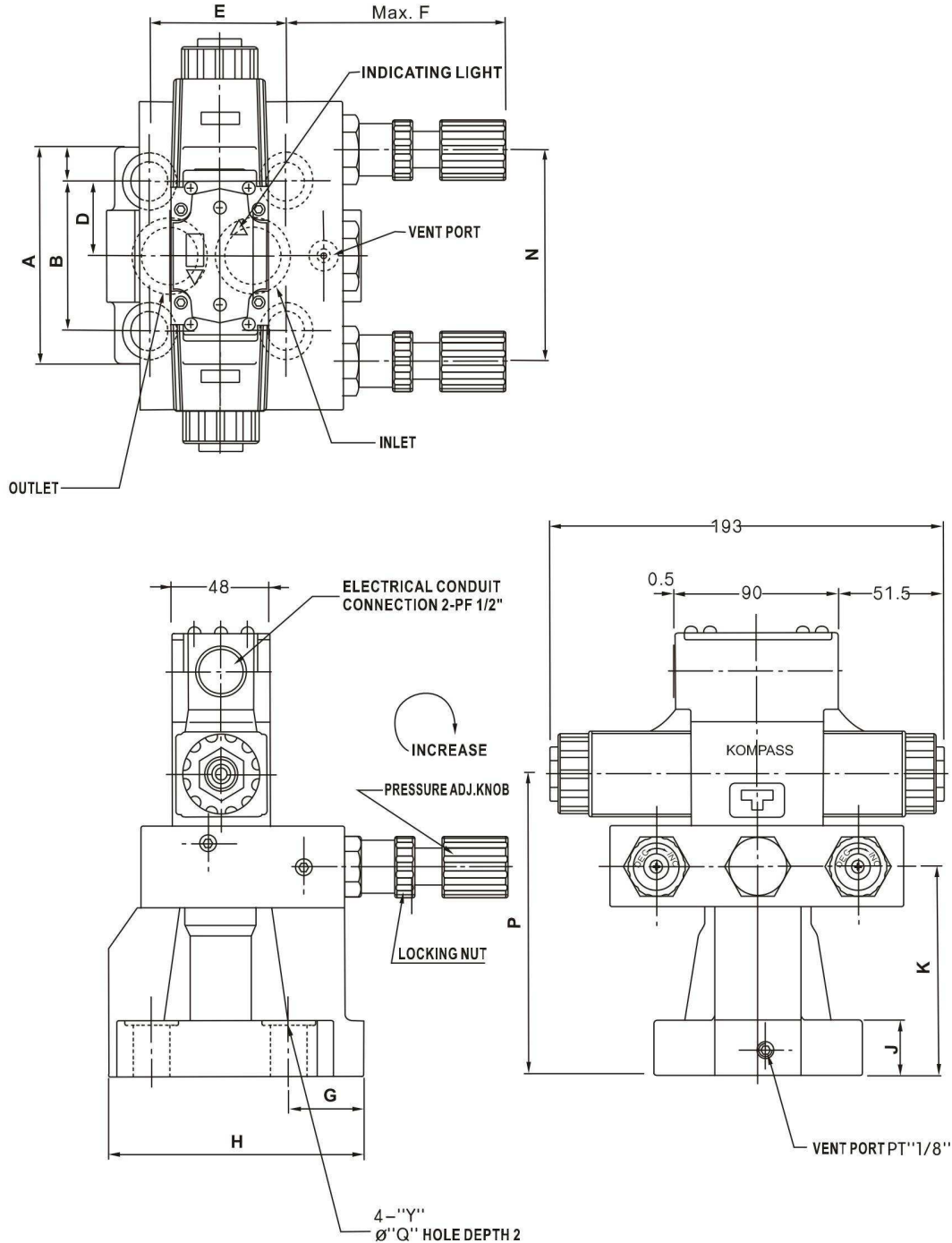
UNIT : mm

MODEL	C	D	E	F	H	J	K	L	N	P	X	e	d	f
SBSG-03	76	53.8	11.1	26.9	53.8	73.6	26.9	78.1	13.5	21	21.5	26.1	106	26.1
SBSG-06	98	70	14	35	66.7	58.8	33.7	63.3	17.5	26	26	19.3	122	36

Dimensions

Mounting Surface : ISO 6264 standard

SBSG-03、06-2P (DUOPRESSURE TYPE)



© REMARK: 1.CONTROL WAY 2B2、2B2L SINGLE HEAD SOL, 3C6、3C3 WITH DUPLICATE HEADS SOL.

MODEL	A	B	C	D	E	F	G	H	J	K	N	P	Q	Y
SBSG-03	76	53.8	11.1	26.9	53.8	100	26.1	106	21.5	88.6	99	126	21	13.5
SBSG-06	98	70	14	35	66.7	106	36	122	26	88.6	99	126	21	17.5