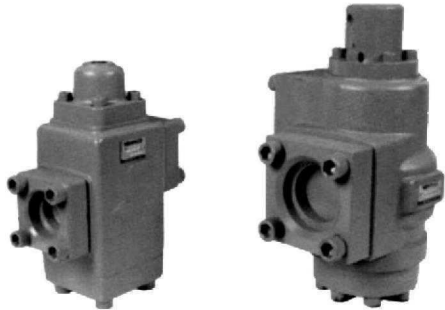


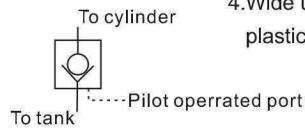
PREFILL VALVES (Traditional)

SG、SLG Series



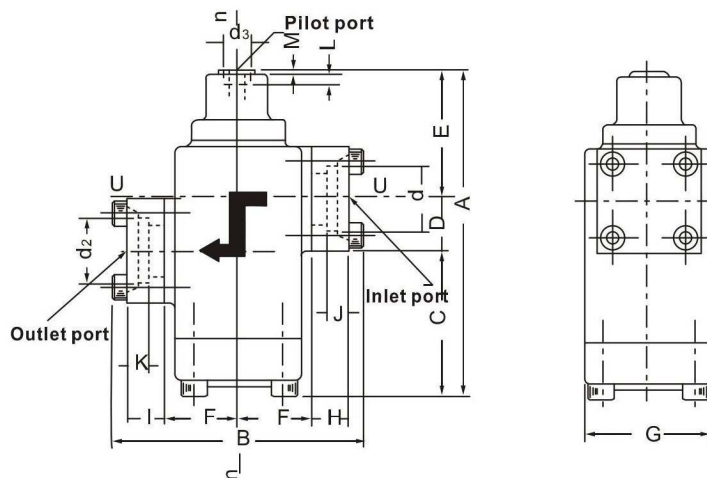
Feature:

1. Prefill valves normal is to the absorb & reject function between cylinder and oil tank, large express machine's rapidly must absorb hydraulic oil from the tank when adding pressure to prevent hydraulic oil to oil tank.
2. Well operated, high accurate, no draingage and keep pressure well.
3. Peducue vibaraion and brunt.
4. Wide use for high speed drawing machines, pressure machine, plastic injection molding machines etc.



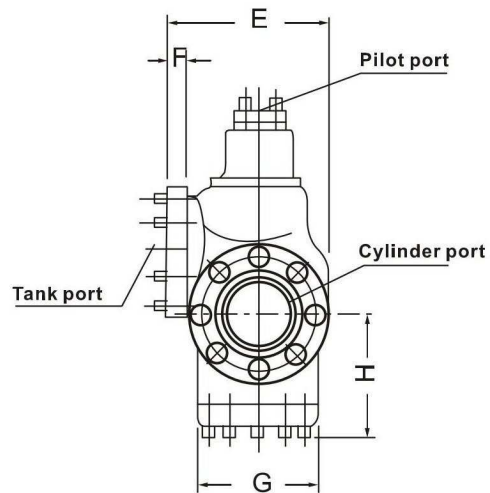
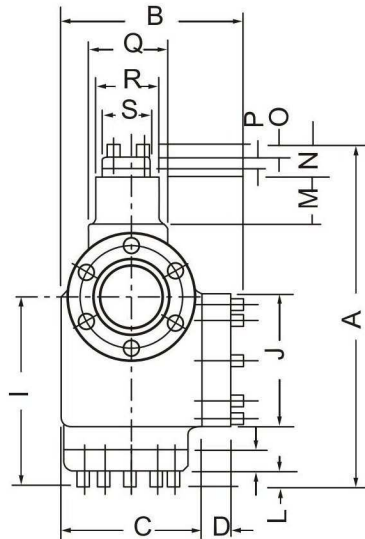
Dimensions

SG-16、24、32、48



MODEL	A	B	C	D	E	F	G	H	I	J	K	L	M	d1	d2	d3
SG-16	338	242	138	50	150	70	123	35	24	20	20	21	12	61	61	PT 3/8 "
SG-24	392	208	169	63	160	92	150	30	44	13	21	28	12	95	95	PT 3/8 "
SG-32	525	260	217	100	208	122	243	30	44	28	28	25	12	116	138	28
SG-48	727	478	285	145	296	165	310	67	37	40	18	21	12	24	167	28

SLG-24、32



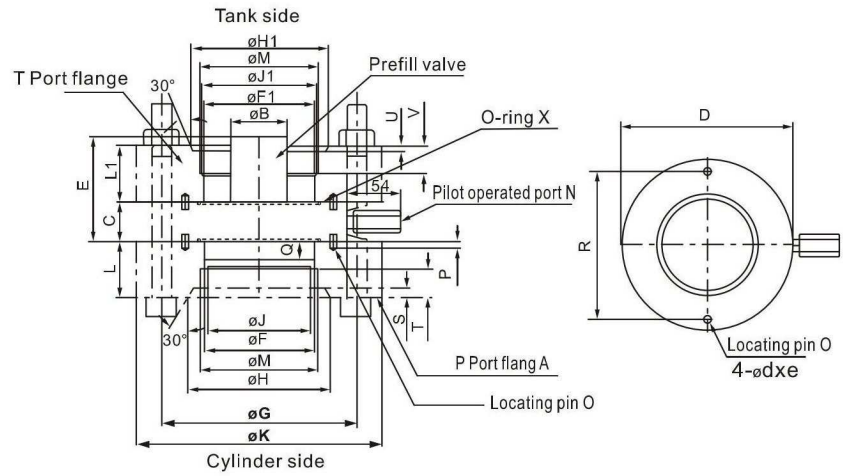
MODEL	A	B	C	D	E	F	G	H	I	J	K
SLG-24	402	260	200	42	230	30	155	160	235	140	40
SLG-32	560	286	220	45	265	31	203	210	330	203	52

MODEL	L	M	N	O	P	Q	R	S	-	-	-
SLG-24	16	96	-	-	-	120	67	3/8" PT	-	-	-
SLG-32	20	122	35	10	25	136	85	65	-	-	-

Flange Type Dimensions



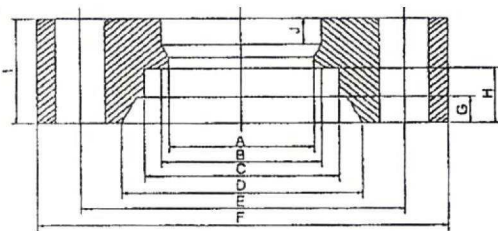
Flange Type
PF-***



MODEL	A	B	C	D	E	F	F1	G	H	H1	J	J1	K	L
PF-80	3	43	29	128	77.5	73	73	146	115	105	71	79	180	45
PF-90	3 1/2	50	35	143	87	88	88	165	125	120	82	91	205	50
PF-100	4	56	38.5	169	102.5	108	108	191	140	135	100	—	240	55
PF-125	5	69	44	169	118	132	132	238	170	165	112	—	300	65
PF-150	6	89	72	212	181	168	155	280	200	181	—	155	355	85

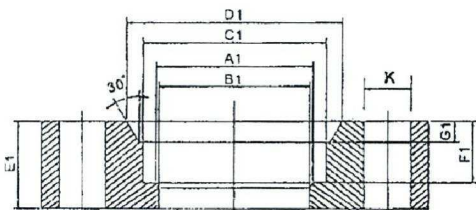
MODEL	L1	M	N	O	P	Q	R	S	T	U	V	X	d	e
PF-80	45	90.2	1/4 "	6	6	12	106	10	23	5	25	G80	7	7
PF-90	50	102.8	1/4 "	6	6	14	125	10	23	5	27	G100	7	7
PF-100	55	115.5	1/4 "	6	6	18	145	12	28	5	27	G115	7	7
PF-125	65	141.2	1/4 "	10	9	25	180	15	20	5	25	G140	11	10
PF-150	70	167	3/8 "	10	9	40	220	15	30	7	30	G180	11	10

P PORT FLANGE(CYLINDER SIDE)



MODEL	A	B	C	D	E	F	G	H
PF-80	71	73	90.2	115	146	180	10	23
PF-90	82	88	102.8	125	165	205	10	23
PF-100	100	108	115.5	140	191	240	12	28
PF-125	112	132	141.2	170	238	300	15	28
PF-150	—	168	167	200	280	335	15	30

T PORT FLANGE(TANK SIDE)

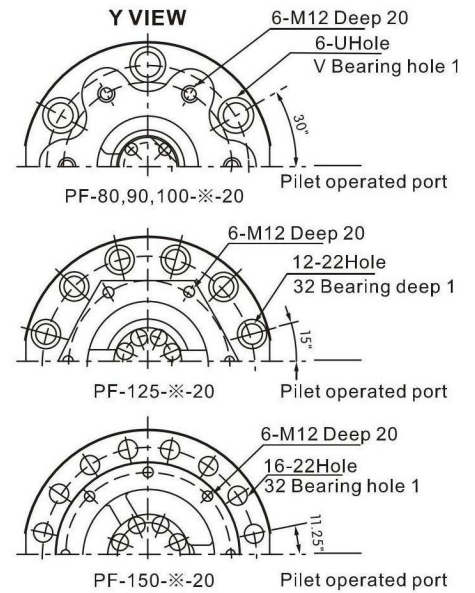
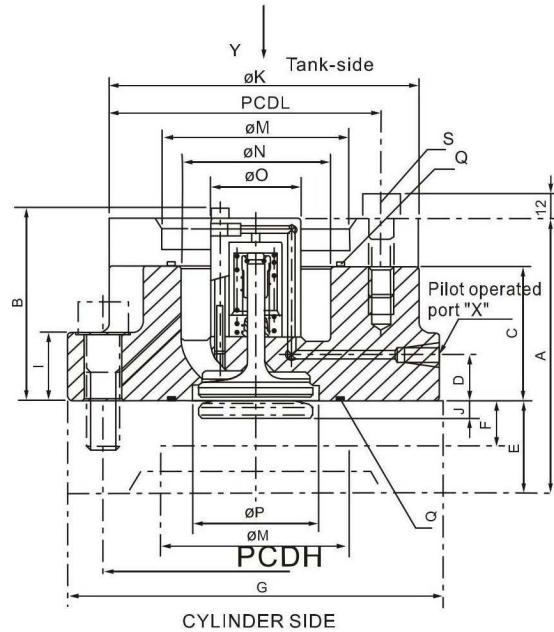


MODEL	I	J	K	A1	B1	C1	D1	E1	F1	G1	BOLT	Q'ty
PF-80	45	12	18	79	73	90.2	105	45	25	5	M16X140L	6
PF-90	50	14	20	91	88	102.8	120	50	27	5	M18X170L	6
PF-100	55	18	22	—	108	115.5	135	55	27	5	M20X190L	6
PF-125	65	25	26	—	132	141.2	165	65	25	5	M24X230L	6
PF-150	85	40	32	155	155	167	181	70	30	7	M30X260L	6

New Type Dimensions



New Type
PF-**-*-20



MODEL	PORT	A	B	C	D	E	F	G	H	I	J	K
PF-80-**-20	3	133	94	65	22.5	65	22	180	146	33	10	142
PF-90-**-20	3 1/2	145	119	72	27	50	30	200	165	41.5	13	160
PF-100-**-20	4	157	132.5	74	31.5	60	32	230	191	44	18	170
PF-125-**-20	5	196	165	85	43	80	50	270	230	52	23.5	200
PF-150-**-20	6	216	204	104	45	80	40	300	260	64	25	225

MODEL	PORT	L	M	N	O	P	Q	S	U	V	X
PF-80-**-20	3	120	90.2	71.5	43	71	G80	6-M12※40	18	26	PT 1/4 "
PF-90-**-20	3 1/2	135	101.6	89	50	88	G100	6-M12※40	20	28	PT 1/4 "
PF-100-**-20	4	148	115.5	108	56	106	G115	6-M12※40	22	32	PT 1/4 "
PF-125-**-20	5	175	141.2	130.5	69	130	G140	6-M12※50	-	-	PT 1/4 "
PF-150-**-20	6	200	167	155	96	168	G180	8-M12※50	-	-	PT 3/8 "