

FIXED DISPLACEMENT VANE PUMPS

PV2R1、PV2R2、PV2R3 Series

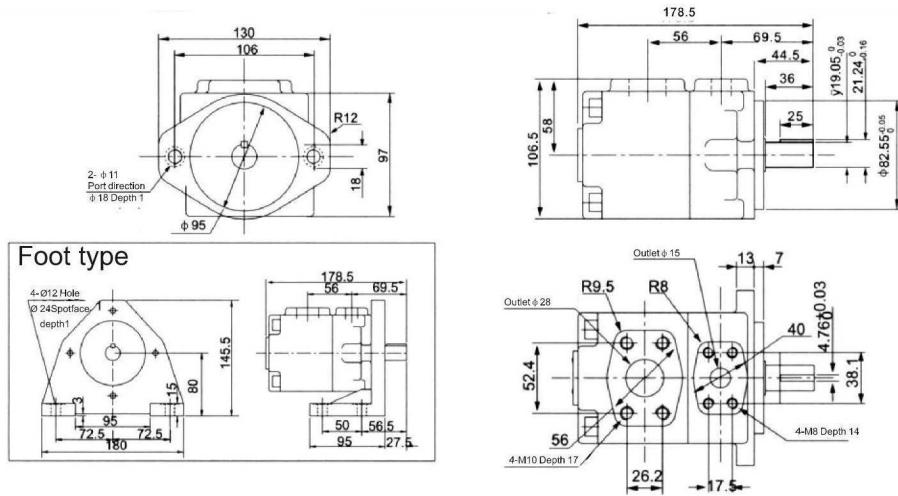


Feature:

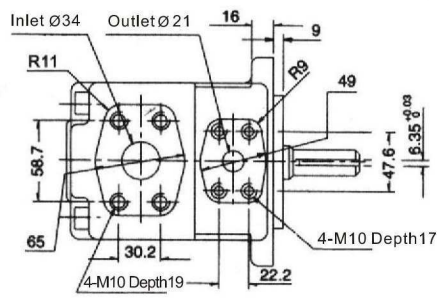
1. Special high pressure and low noise designs fit for multitude of applications, especially for rubber press, plastic injection molding machines and other industrial machines etc..
2. Cartridge is easy to assemble, disassemble to maintain and to change shaft rotations.

Dimensions

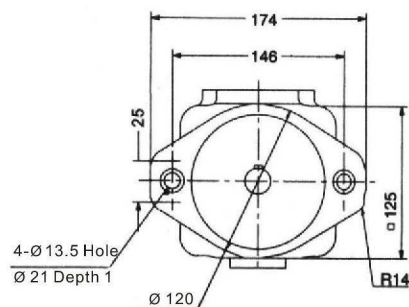
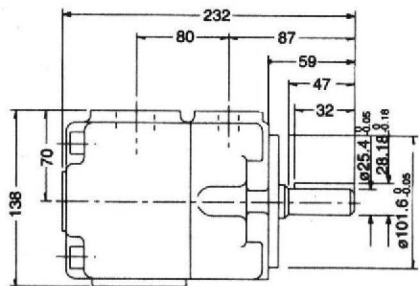
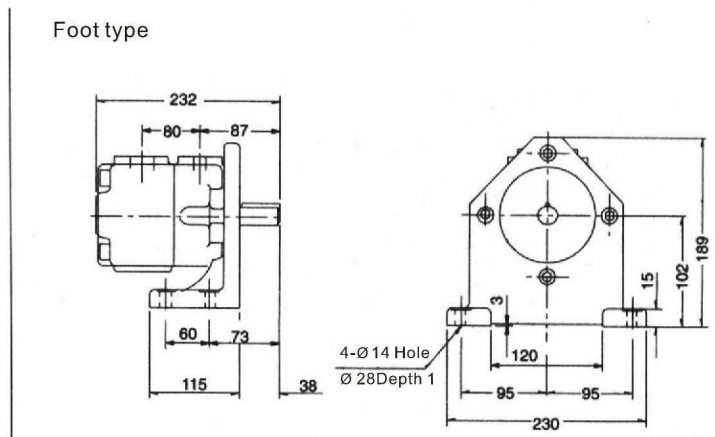
PV2R1 Flange type



PV2R2 Flang type

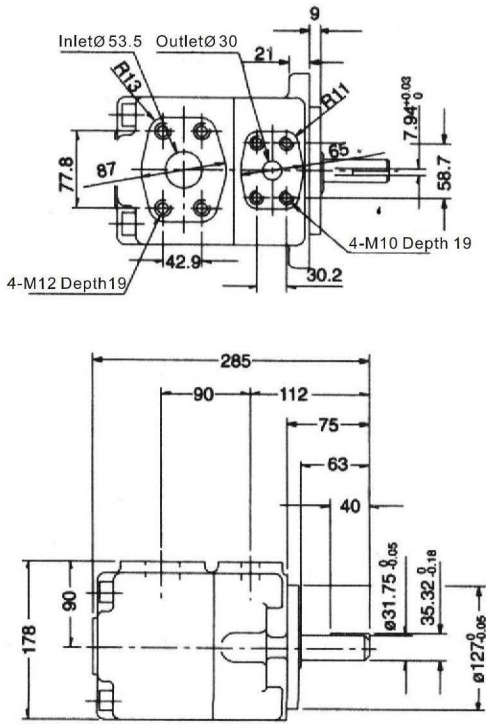


Foot type



Dimensions

PV2R3 Flang type



Foot type

