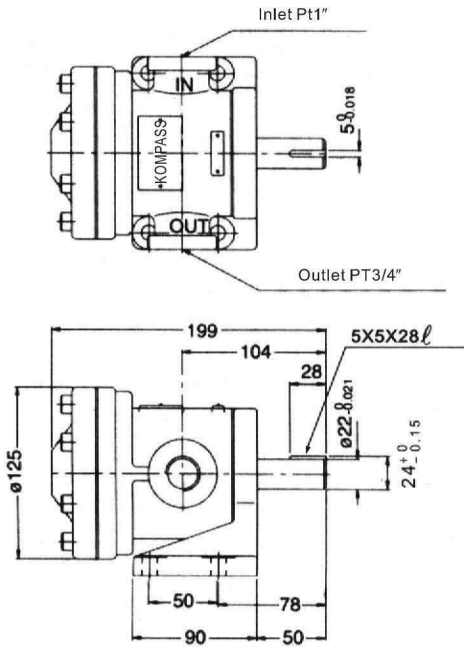


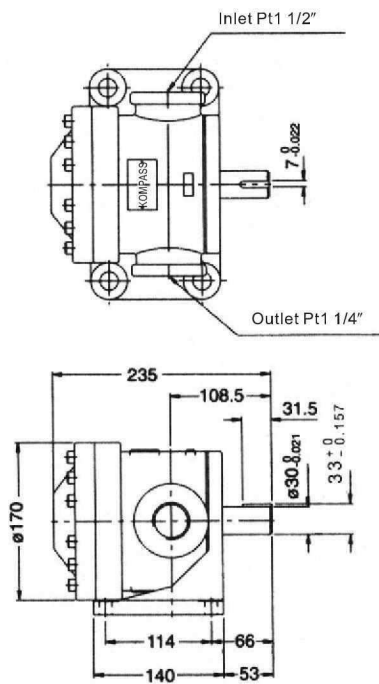
Dimensions

※ Note: 50T the shaft with $\phi 19.05$ 、 $\phi 22$, standard flange type $\phi 19.05$, Foot type $\phi 22$

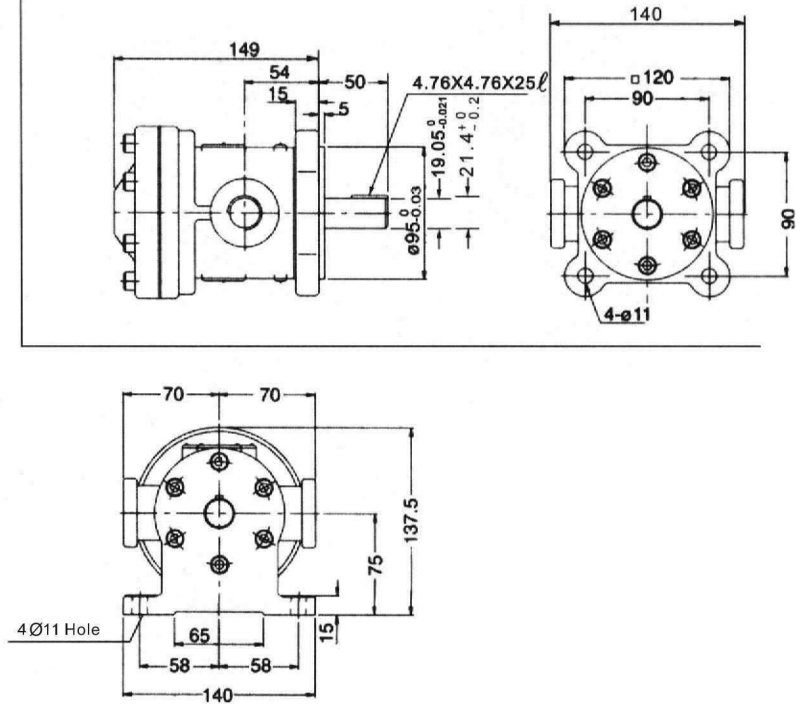
50T Foot type



150T Foot type



50T Flange type



150T Flange type

