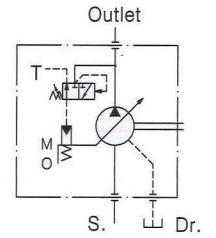
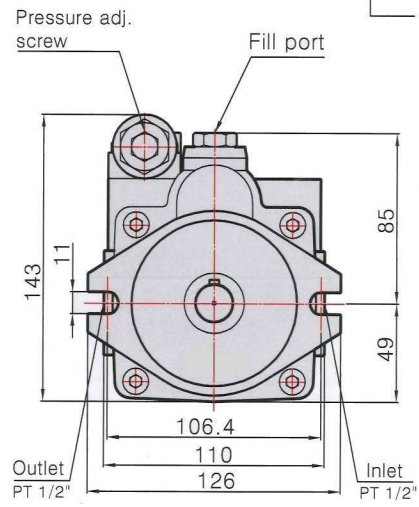
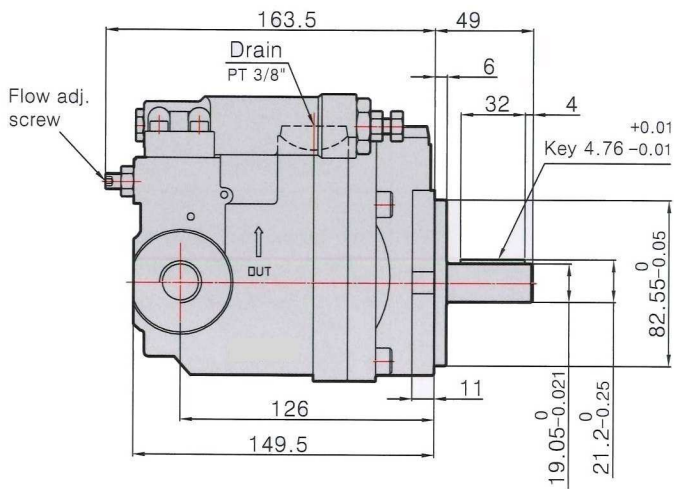
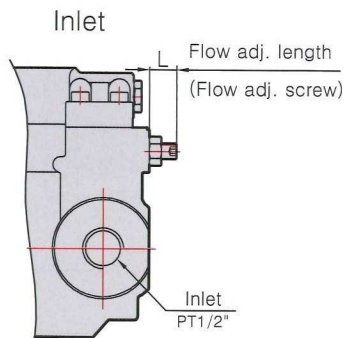
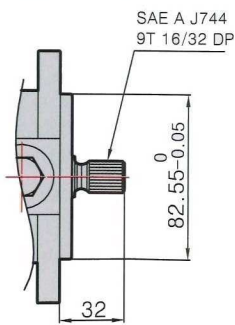


# Pressure compensating type

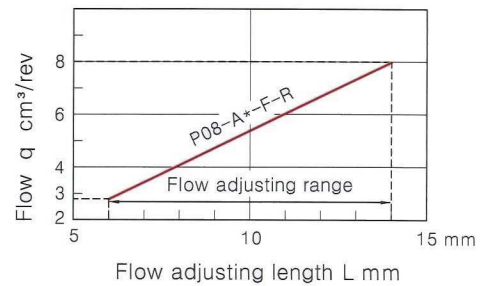
## PVS08-A\*-F-R-type



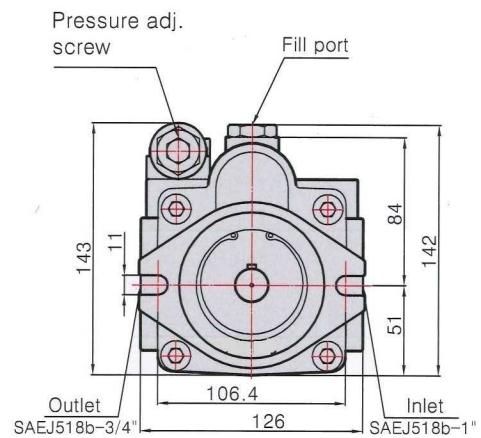
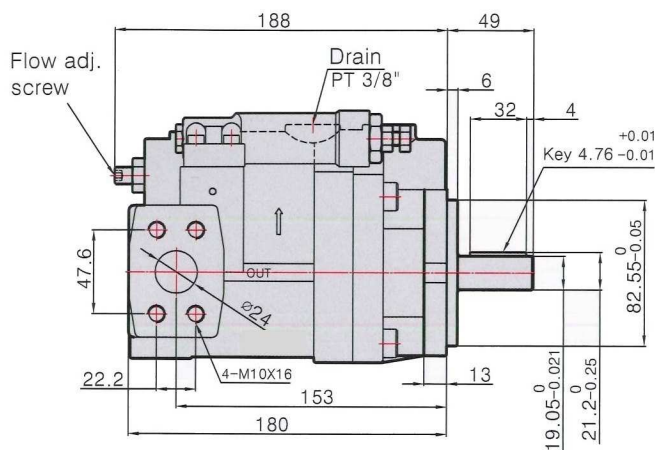
### Spline shaft



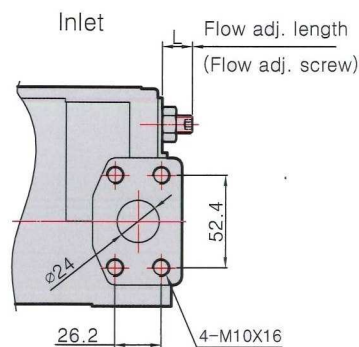
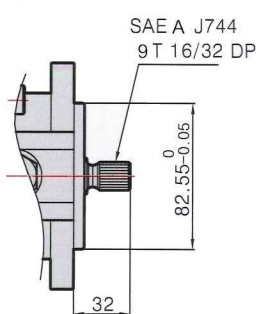
The relation between flow adjusting length ( L ) and pump displacement ( q )



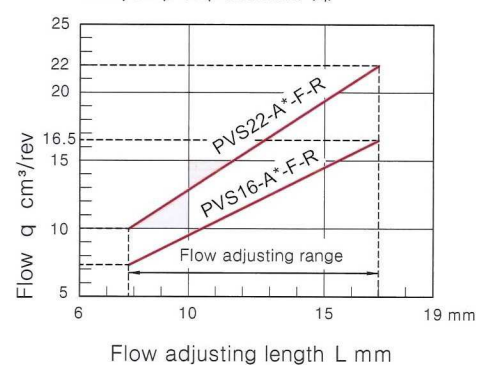
## PVS16/PVS22-A\*-F-R-TYPE



### Spline shaft

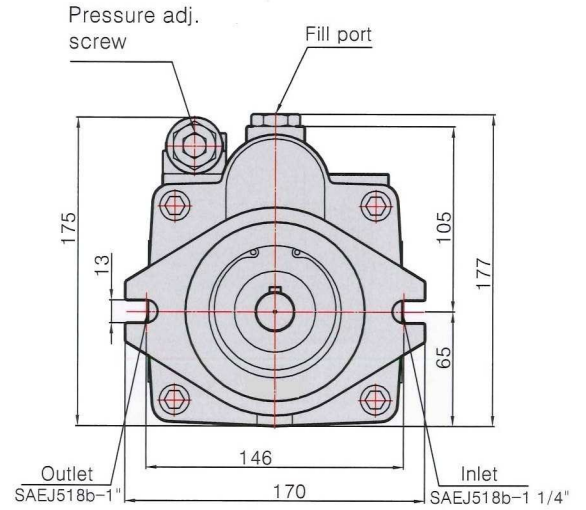
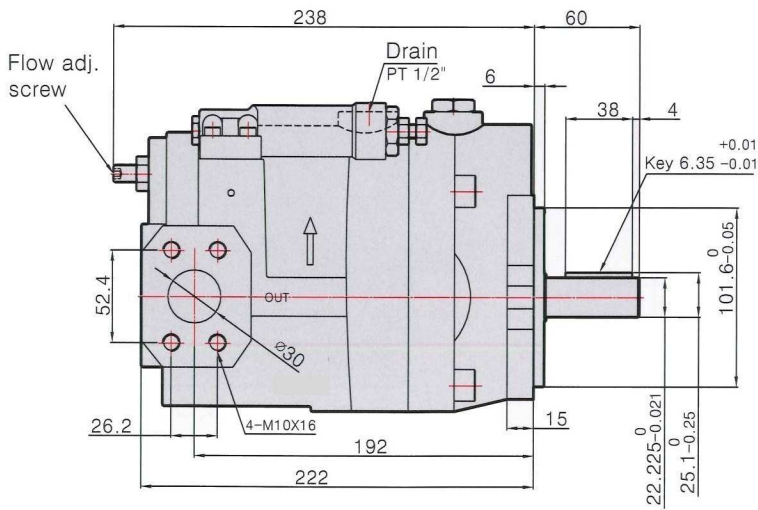


The relation between flow adjusting length ( L ) and pump displacement ( q )

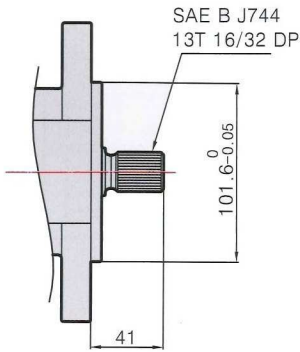


# Pressure compensating type

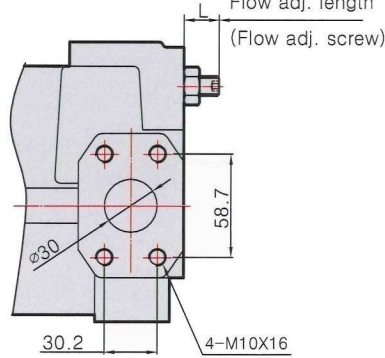
## PVS36/PVS46-A\*-F-R-TYPE



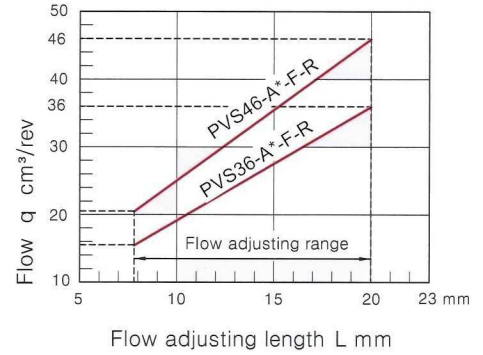
### Spline shaft



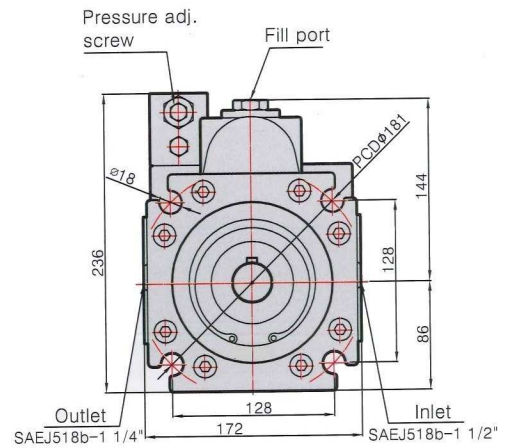
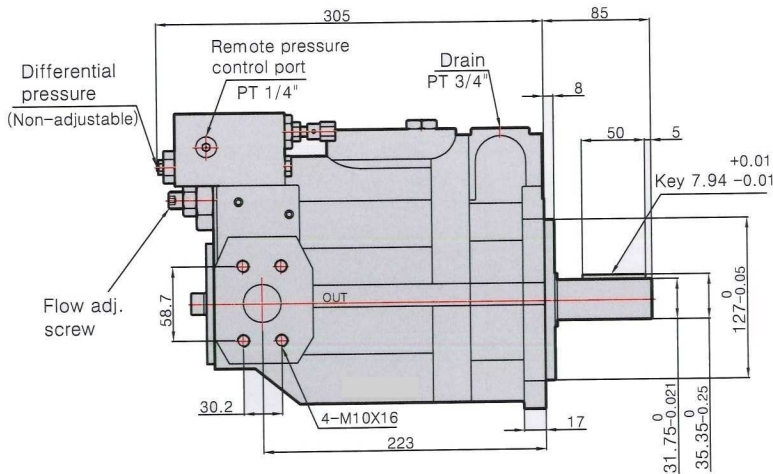
### Inlet



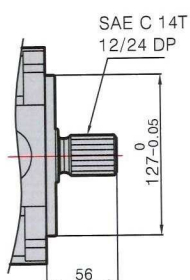
The relation between flow adjusting length ( L ) and pump displacement ( q )



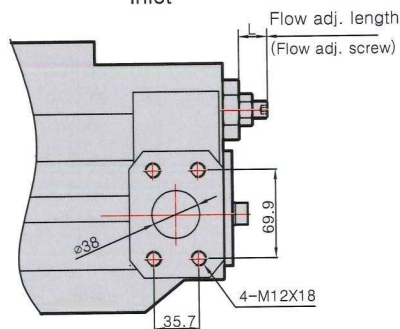
## PVS70-A\*-F-R-type



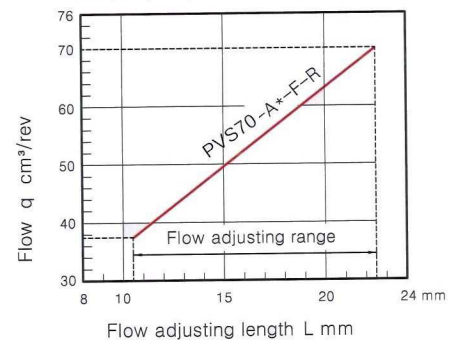
### Spline shaft



### Inlet



The relation between flow adjusting length ( L ) and pump displacement ( q )

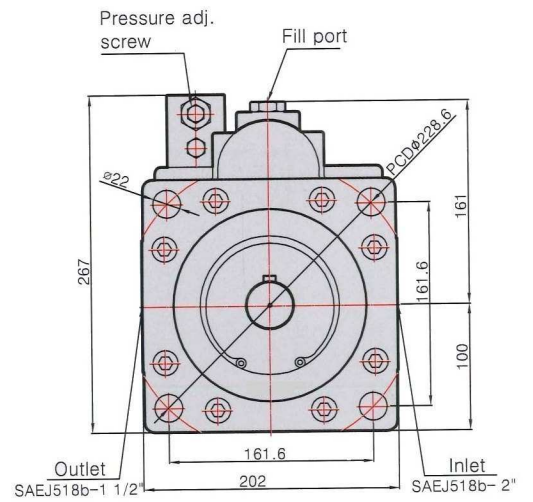
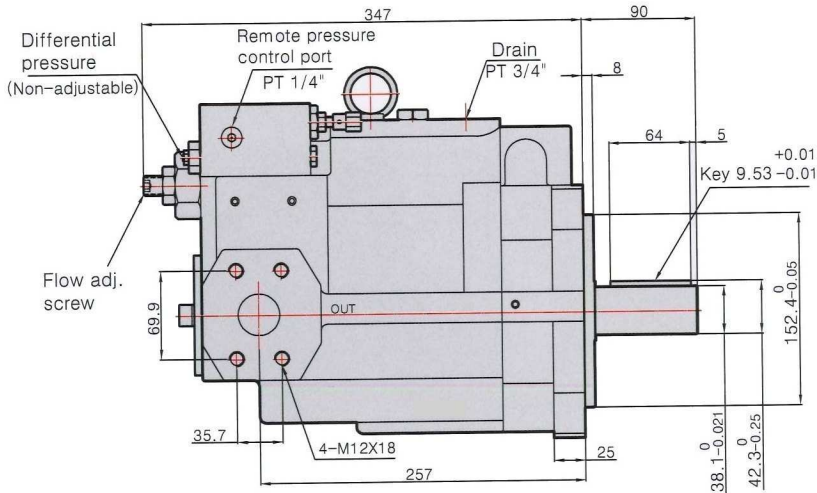


●規格修改,本公司不另行通知

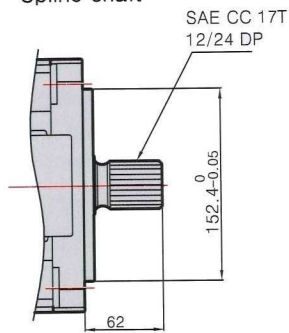
●Specification is subjected to change without notice.

## Pressure compensating type

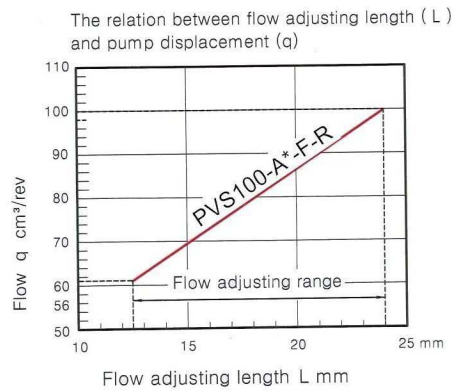
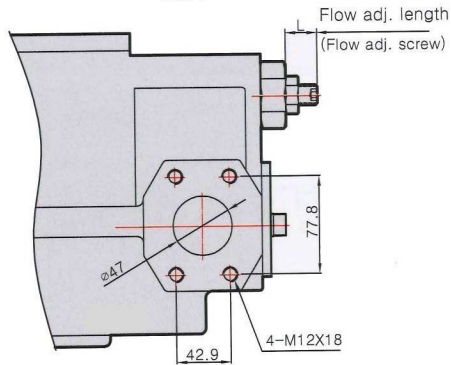
PVS100-A\*-F-R-type



Spline shaft



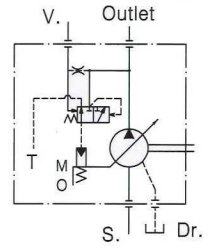
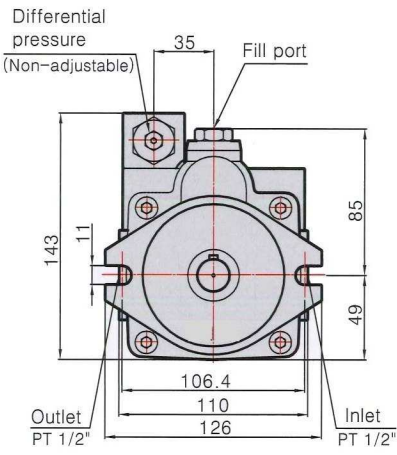
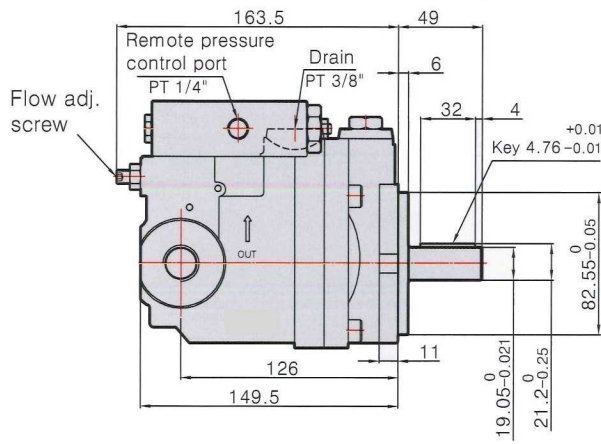
Inlet



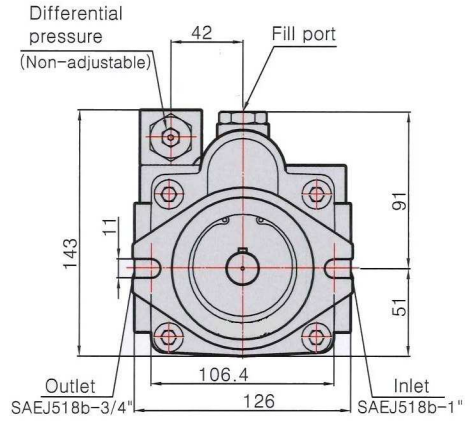
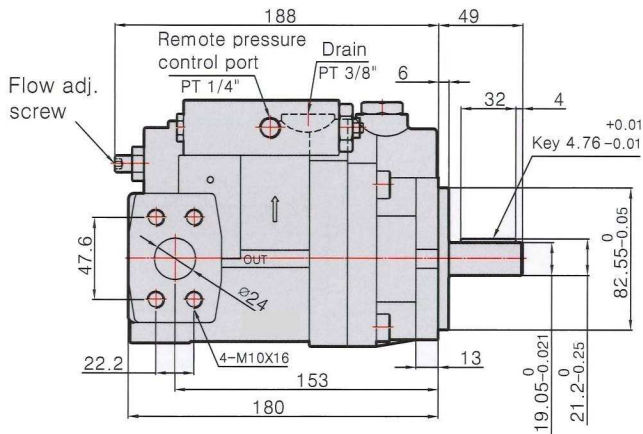


# Remote pressure control type

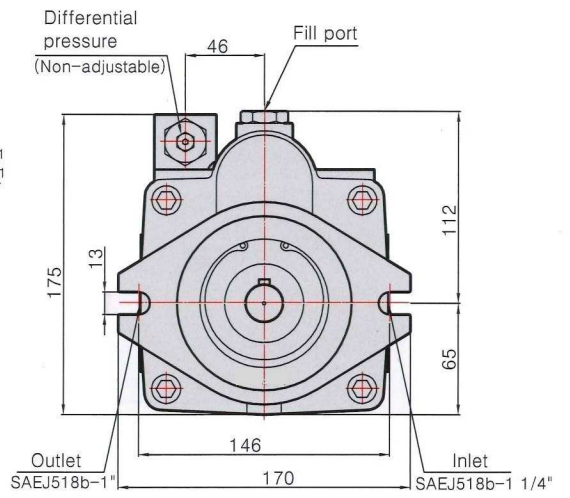
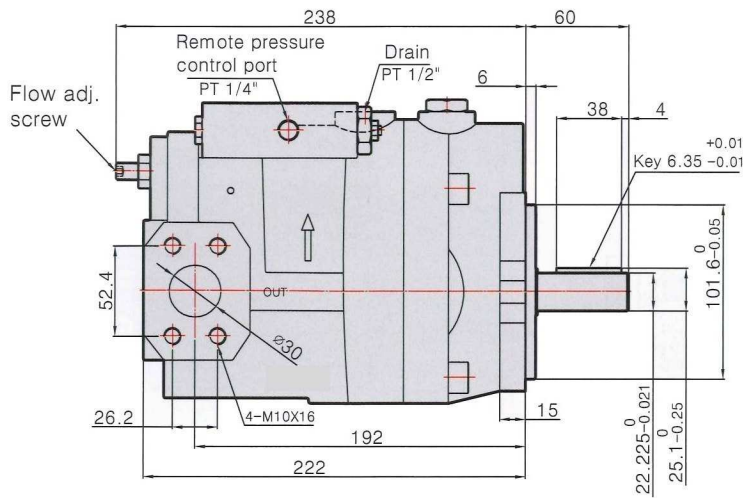
PVS08-B\*-F-R-type



PVS16/PVS22-B\*-F-R-type



PVS36/PVS46-B\*-F-R-type

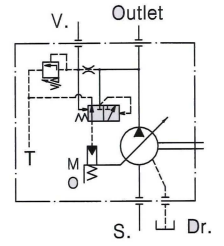
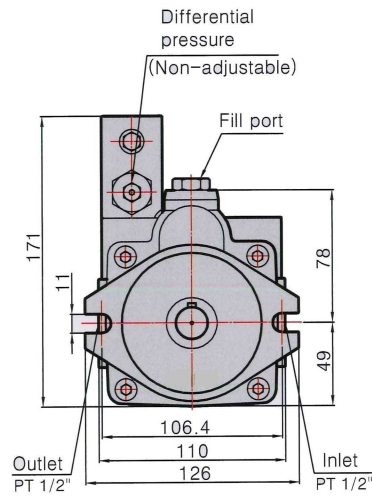
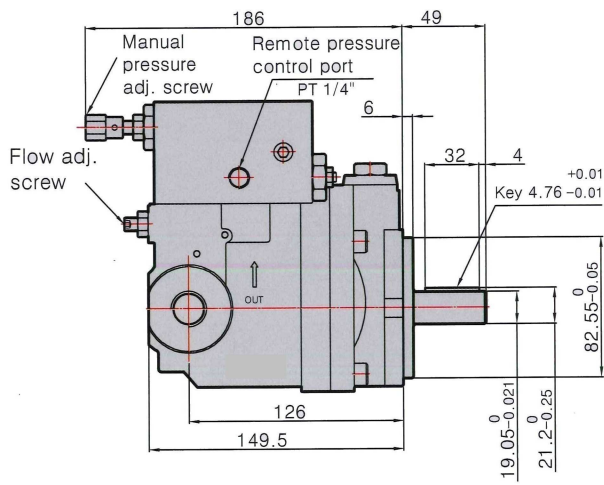


●規格修改,本公司不另行通知  
 ●Specification is subjected to change without notice.

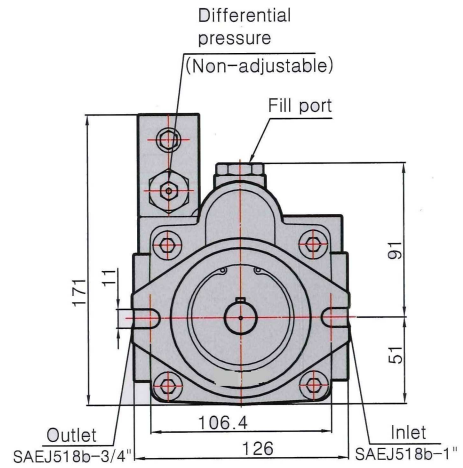
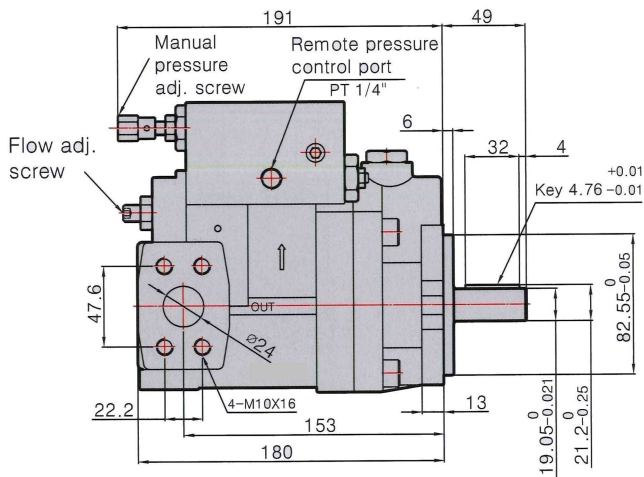


# Remote pressure control & manual pressure type

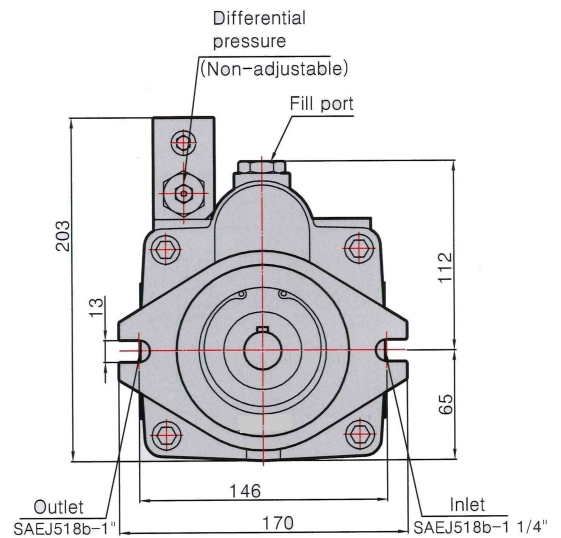
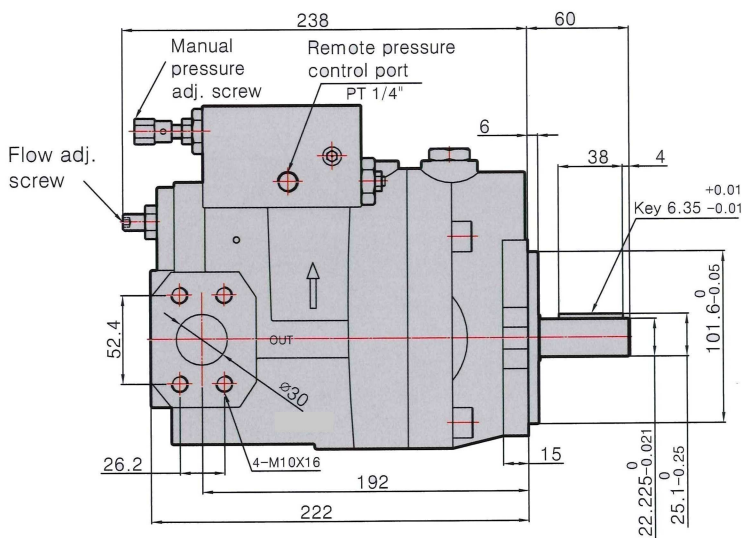
PVS08-BH\*-F-R-type



PVS16/PVS22-BH\*-F-R-type

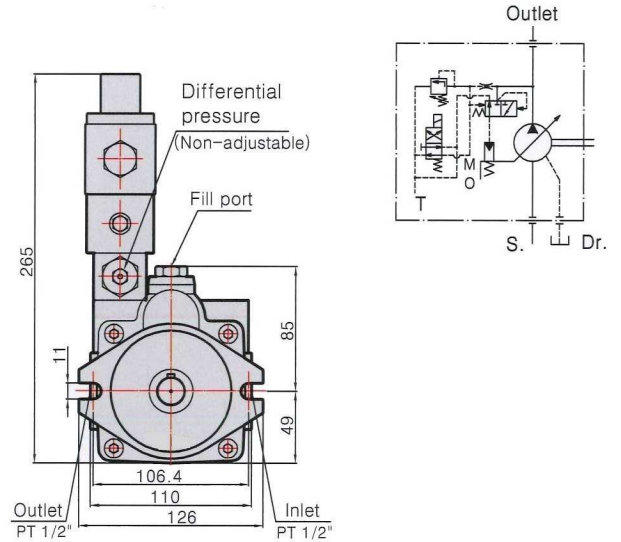
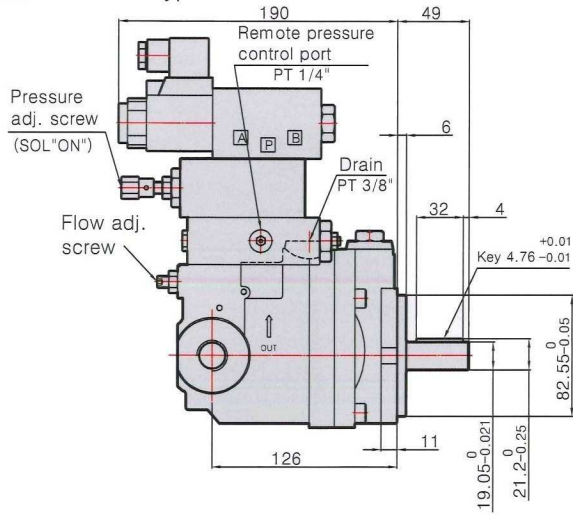


PVS36/PVS46-BH\*-F-R-type

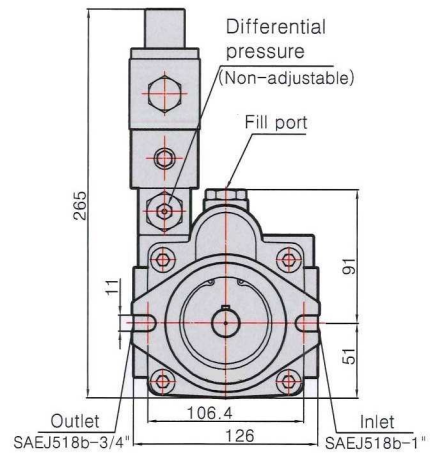
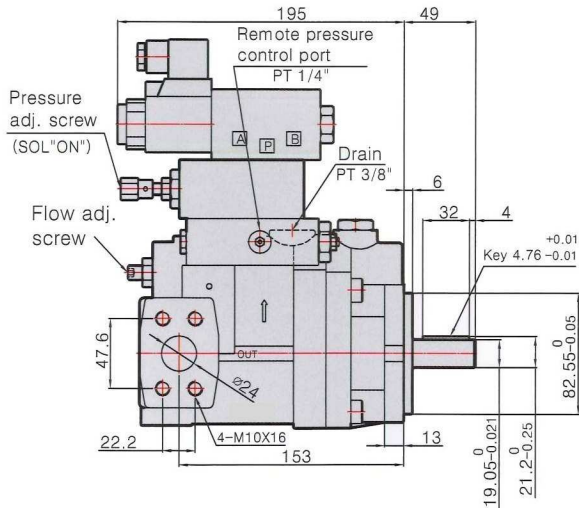


# Solenoid cut-off control type

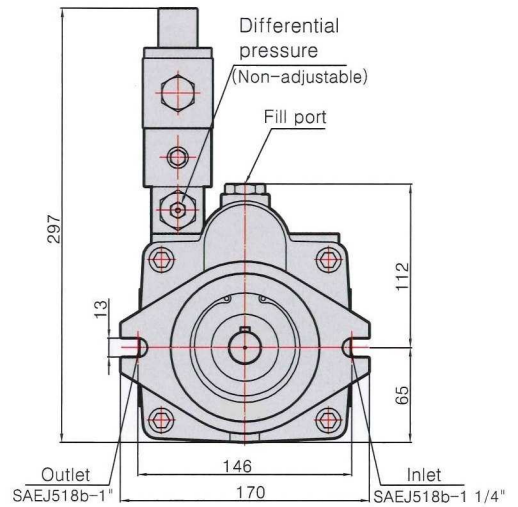
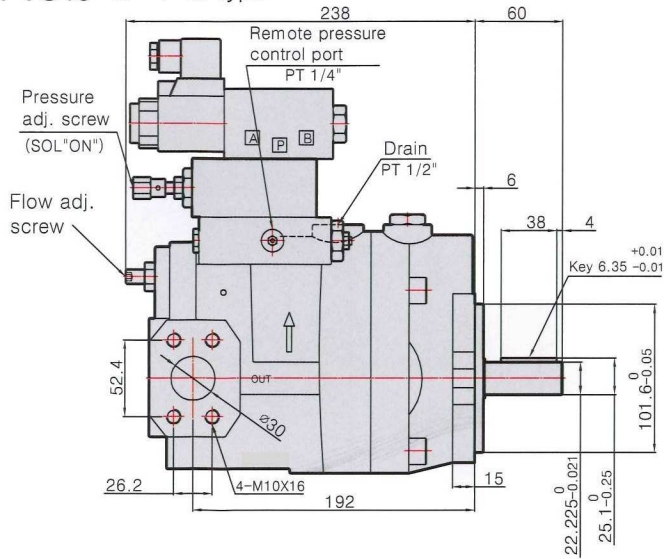
PVS08-D\*-F-R-type



PVS16/PVS22-D\*-F-R-type



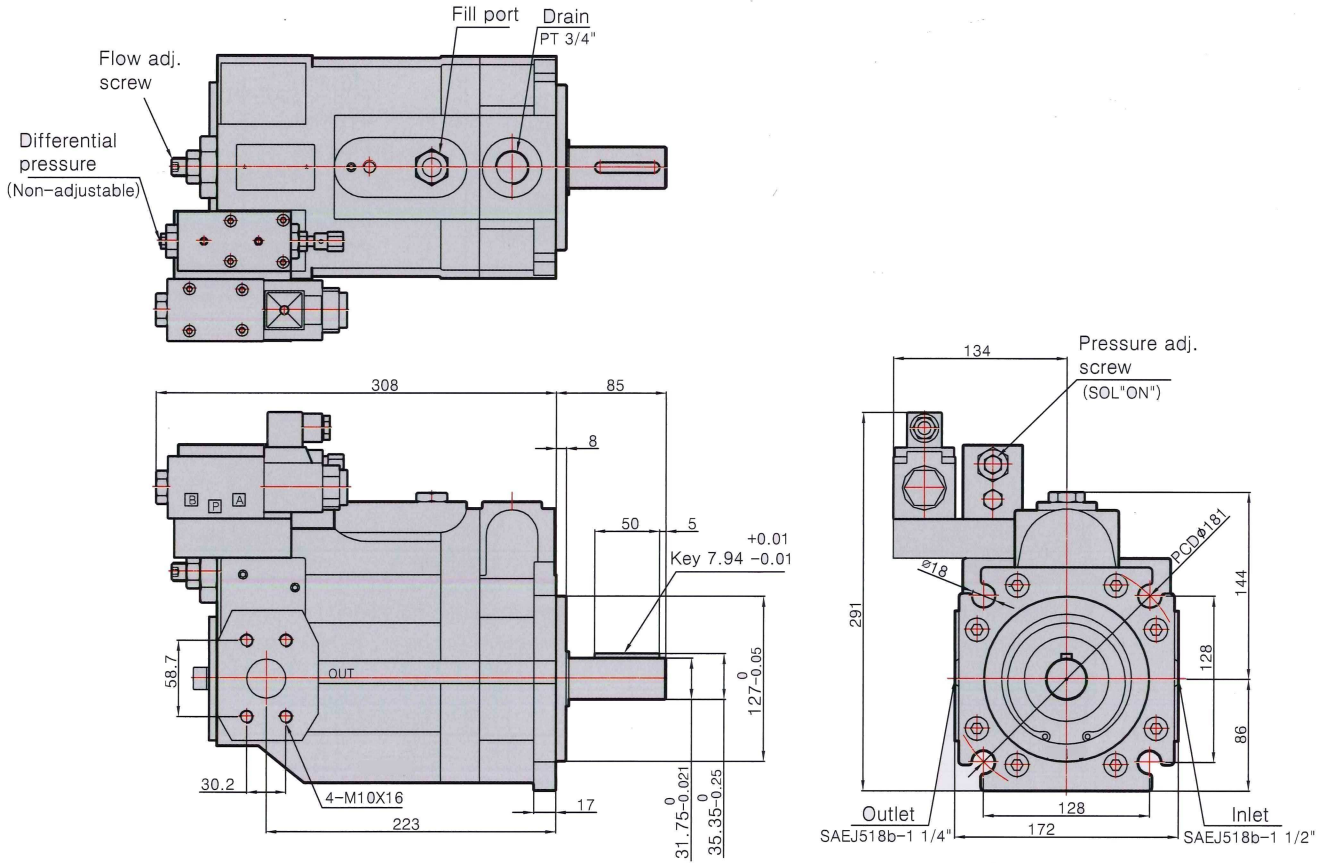
PVS36/PVS46-D\*-F-R-type



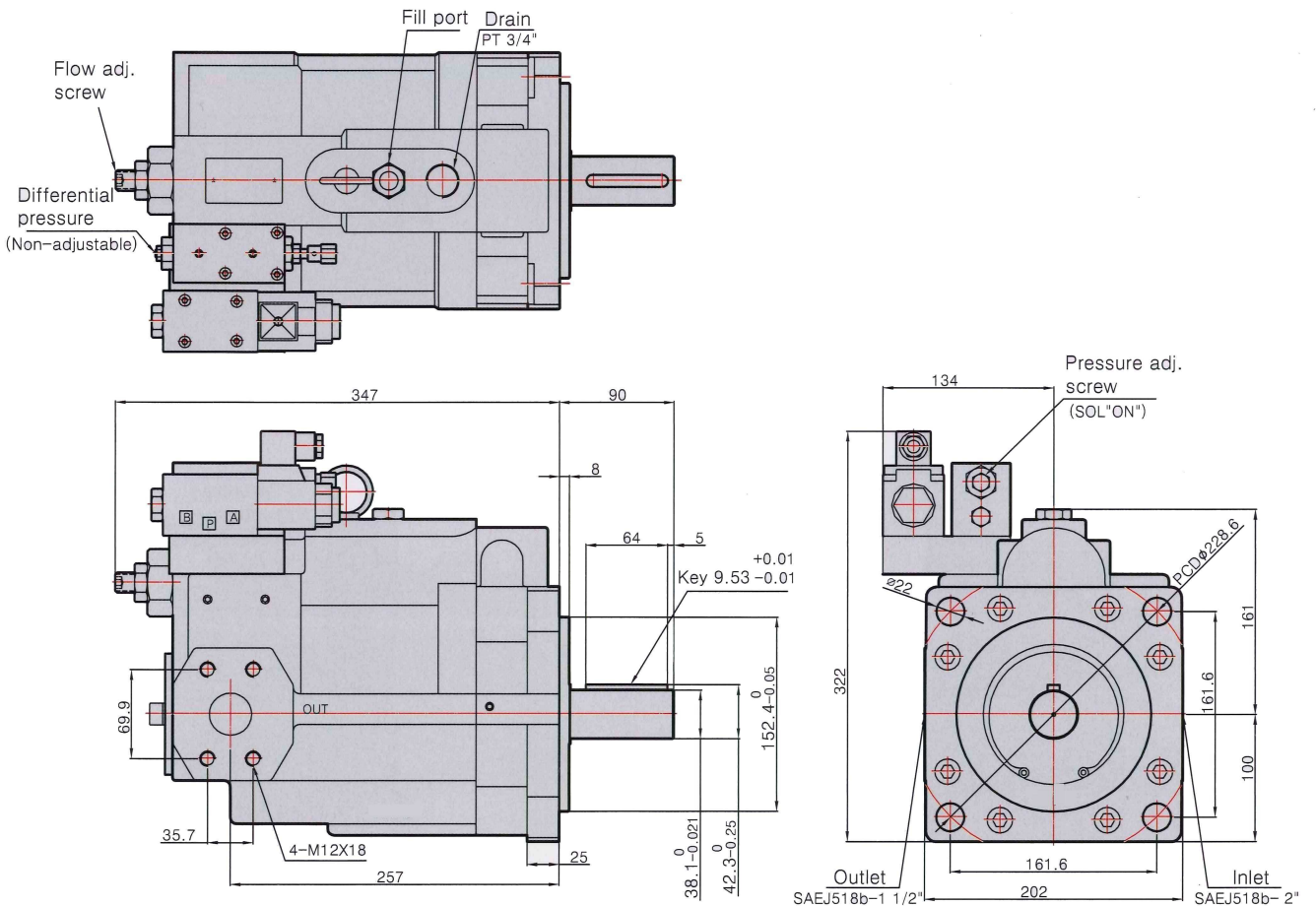
- 規格修改,本公司不另行通知
- Specification is subjected to change without notice.

# Solenoid cut-off control type

PVS70-D\*-F-R-type



PVS100-D\*-F-R-type

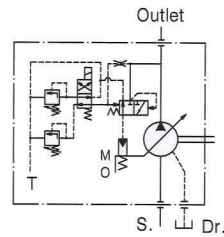
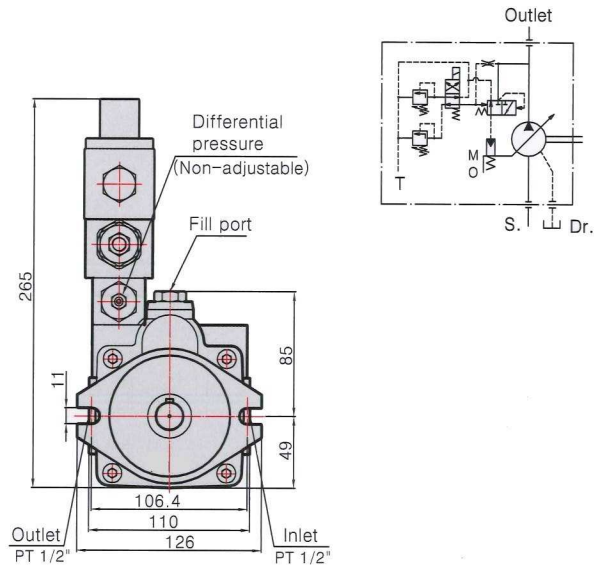
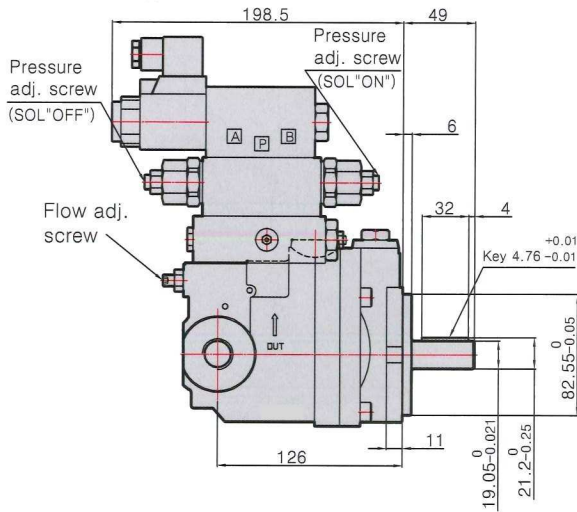


- 規格修改,本公司不另行通知
- Specification is subjected to change without notice.

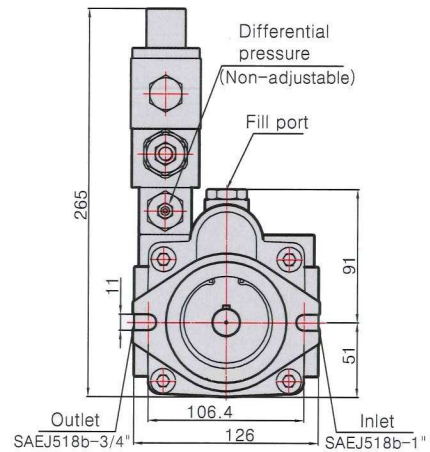
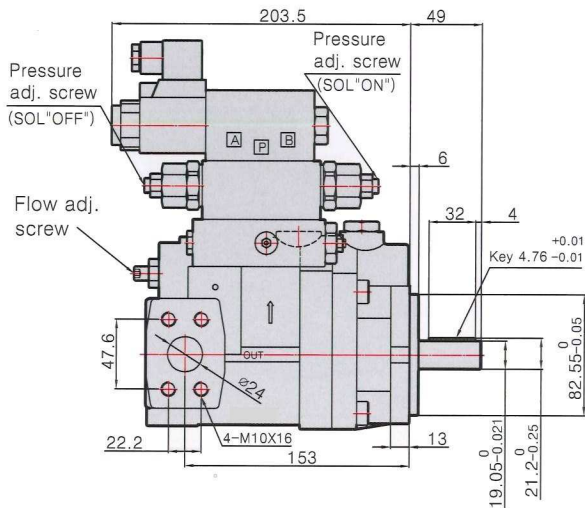


# Solenoid two pressure control type

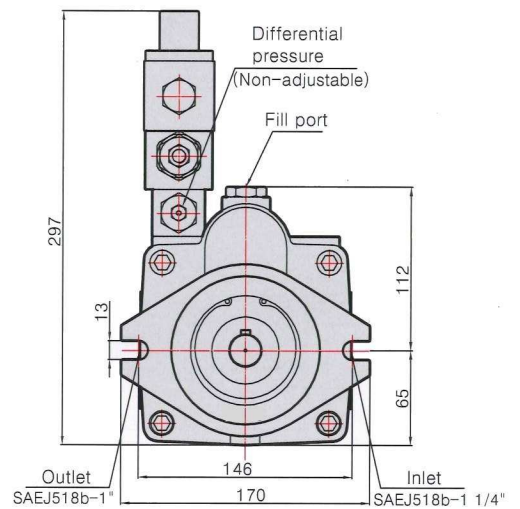
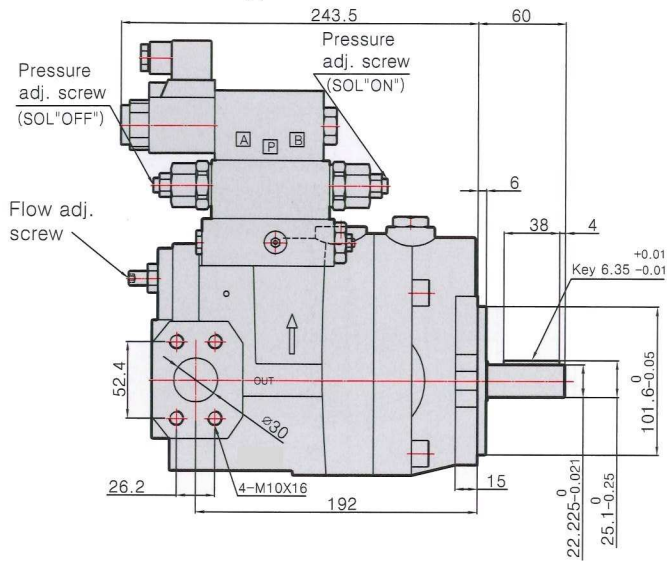
PVS08-E\*-F-R-type



PVS16/PVS22-E\*-F-R-type



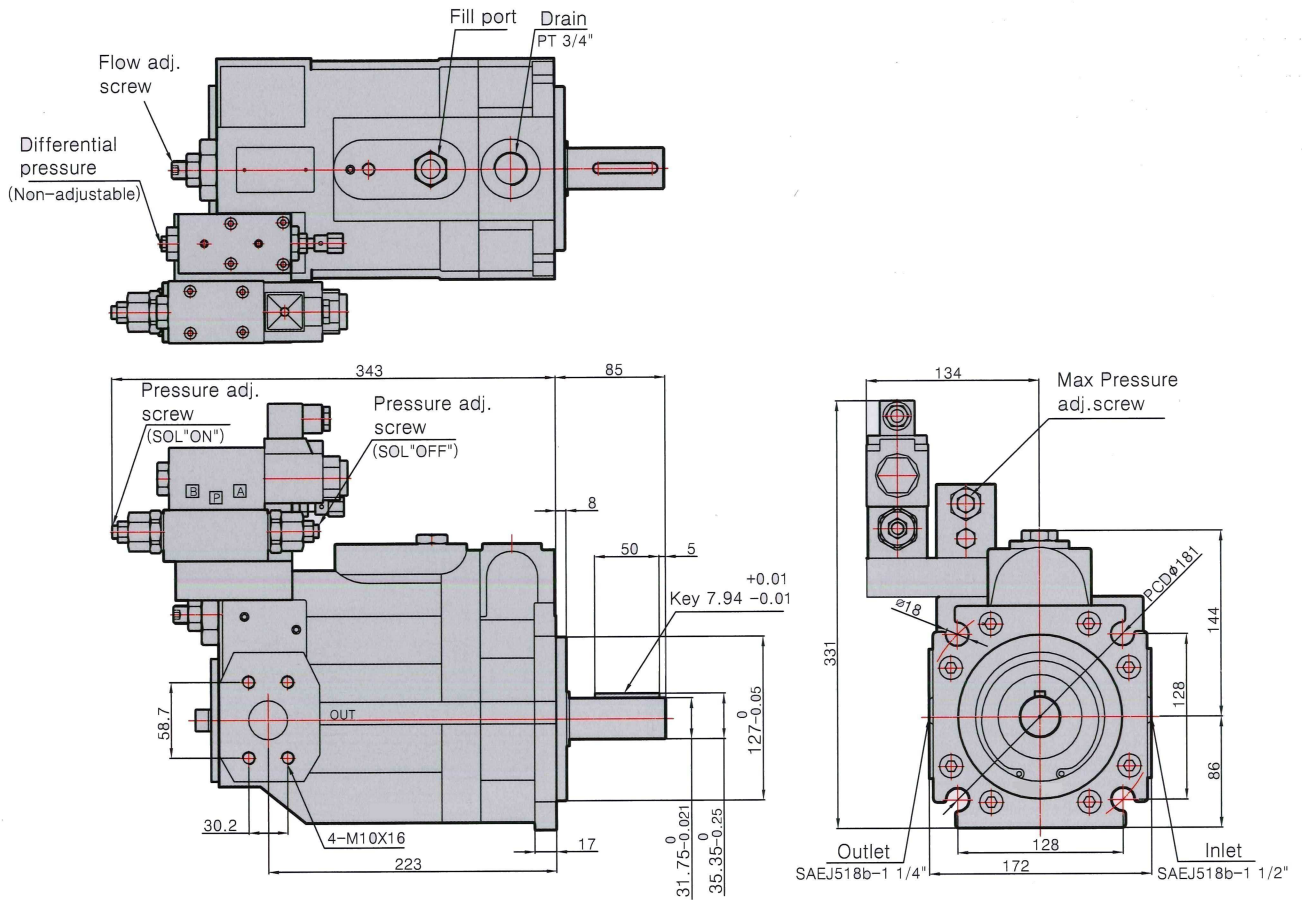
PVS36/PVS46-E\*-F-R-type



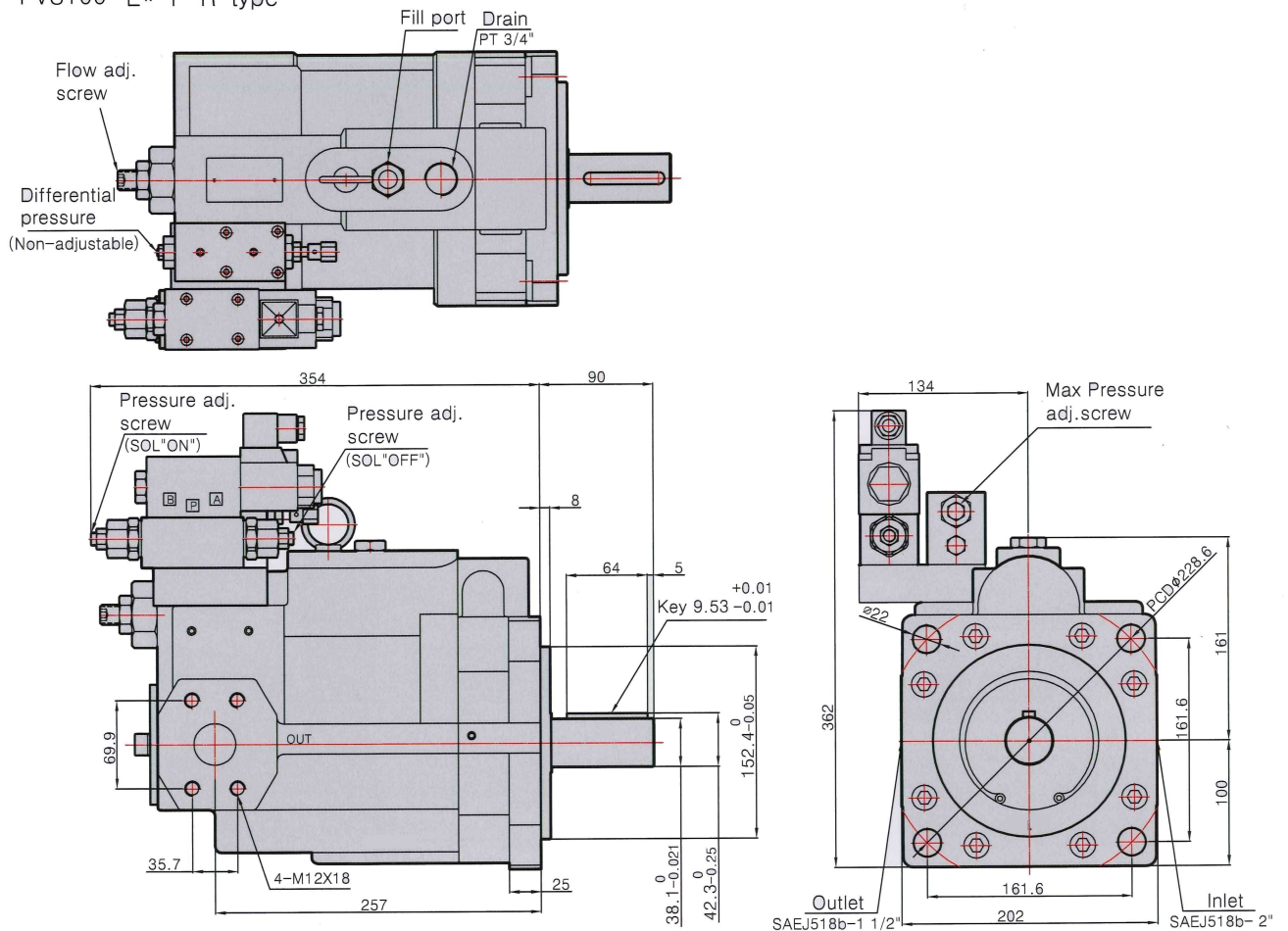
- 規格修改,本公司不另行通知
- Specification is subjected to change without notice.

# Solenoid two pressure control type

## PVS70-E\*-F-R-type

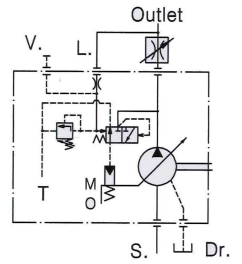
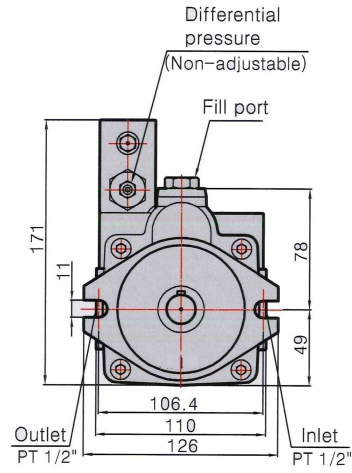
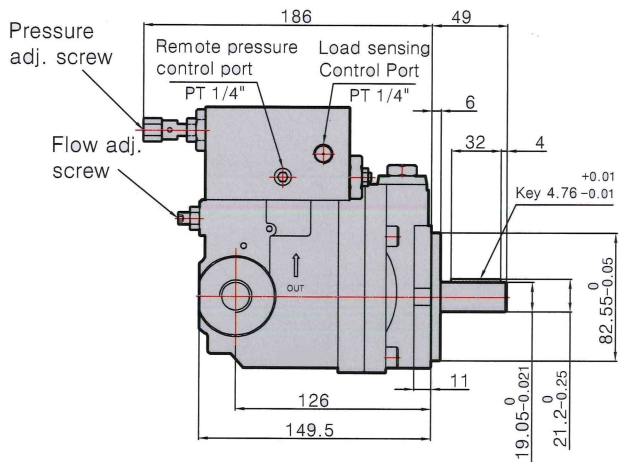


## PVS100-E\*-F-R-type

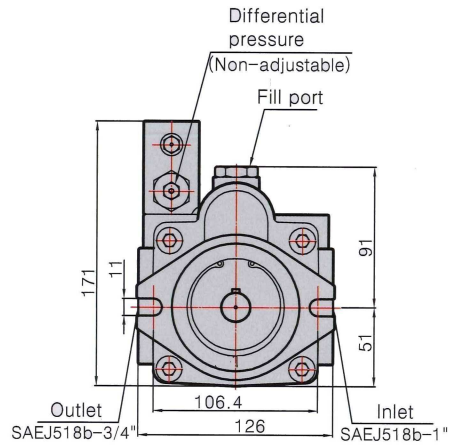
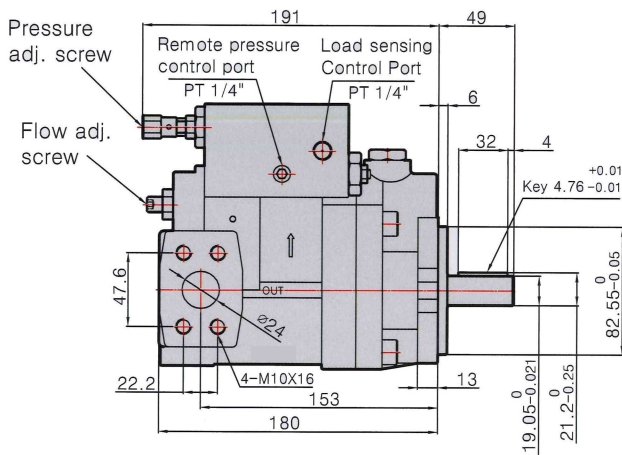


# Load sensing control type

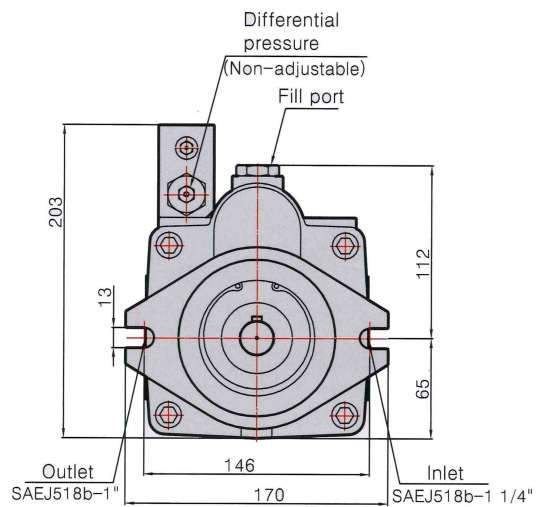
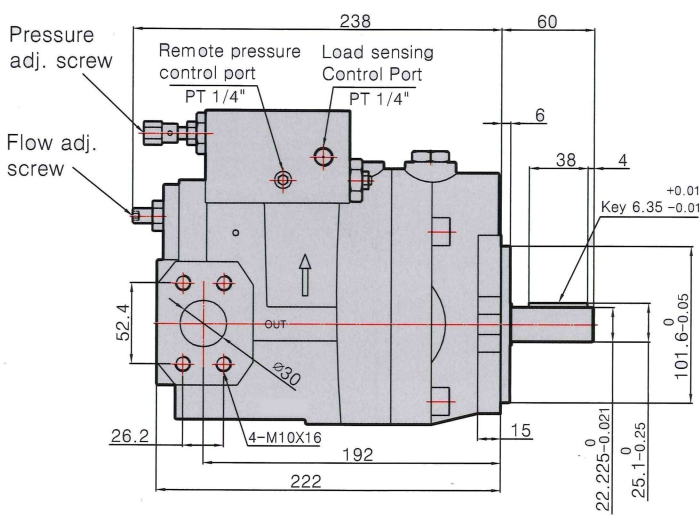
PVS08-HL\*-F-R-type



PVS16/PVS22-HL\*-F-R-type



PVS36/PVS46-HL\*-F-R-type

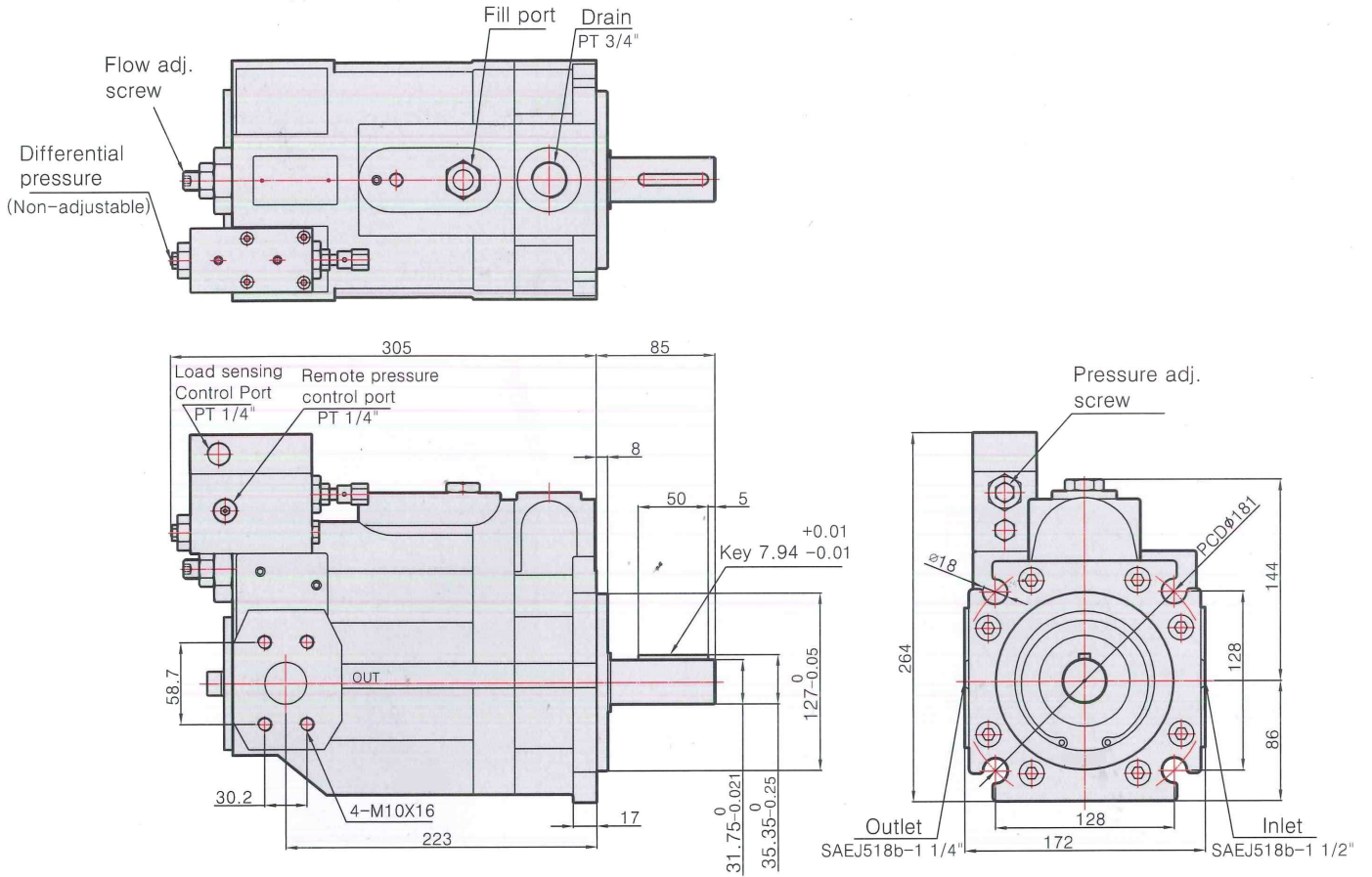


- 規格修改,本公司不另行通知
- Specification is subjected to change without notice.

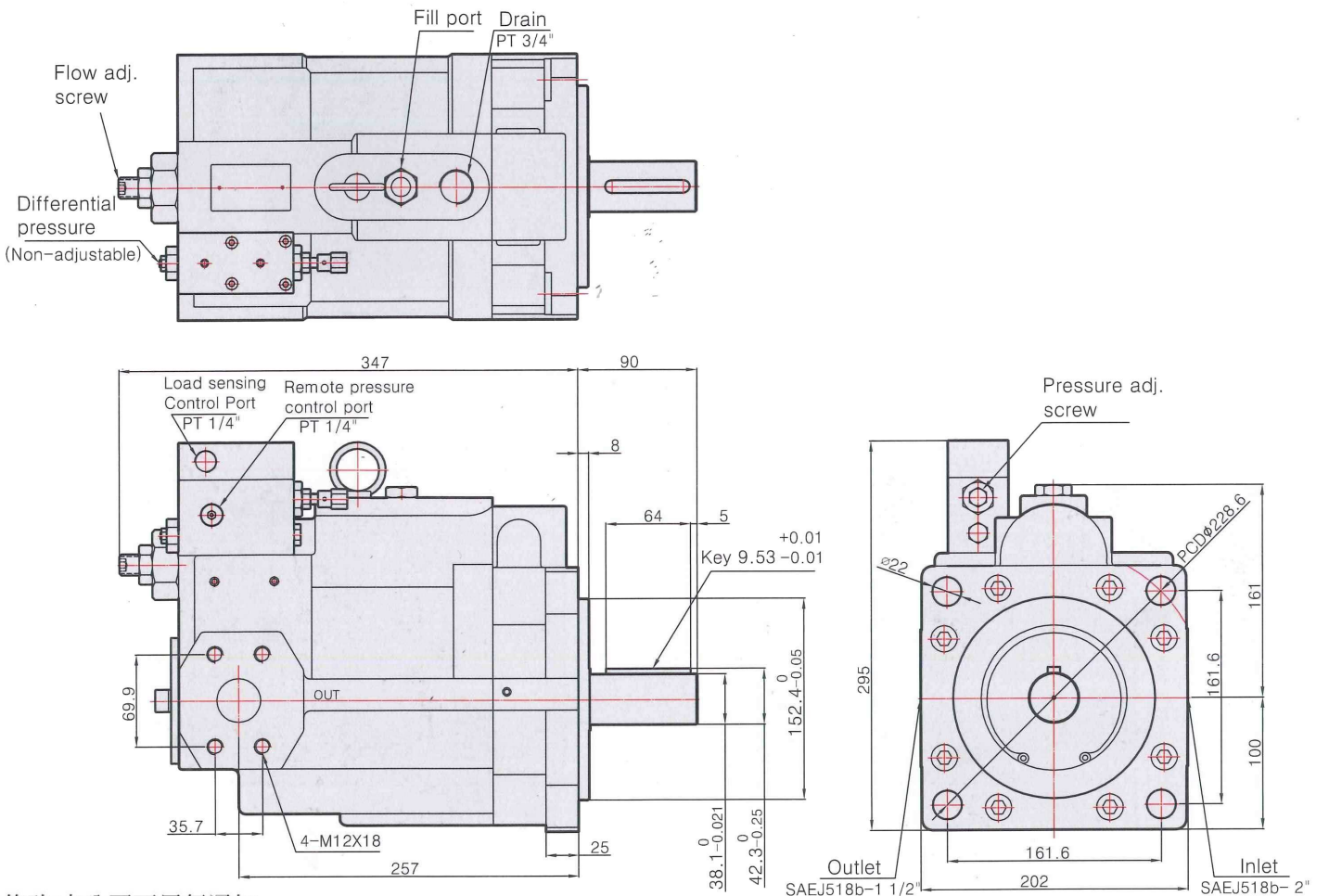


# Load sensing control type

## PVS70-HL\*-F-R-type



## PVS100-HL\*-F-R-type



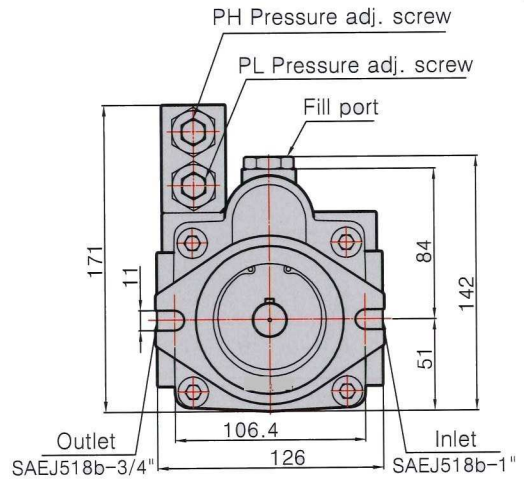
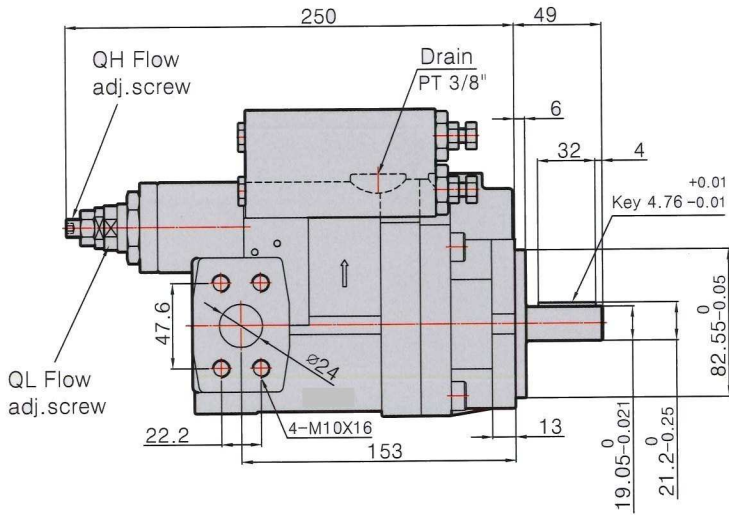
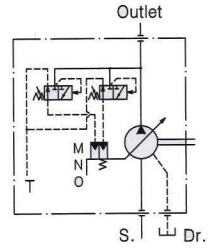
●規格修改,本公司不另行通知

●Specification is subjected to change without notice.

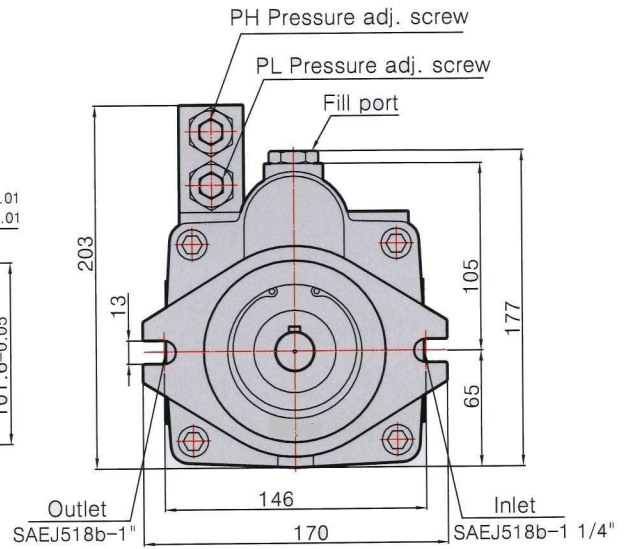
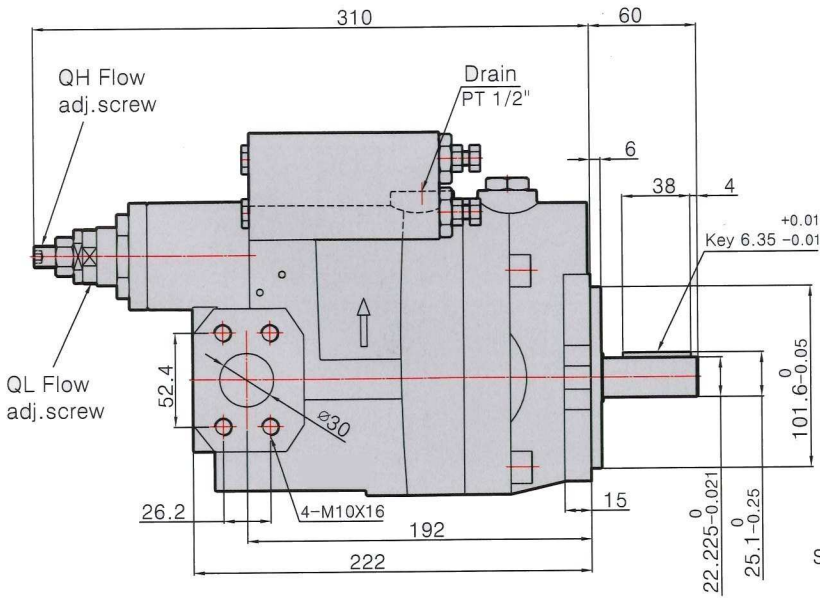
## 2-pressure 2-flow control type

PVS16/PVS22-C\*-A\*-F-R-type

Model	QL Flow Default (cm <sup>3</sup> /rev)
PVS16	5.5
PVS22	7
PVS36	12
PVS46	15



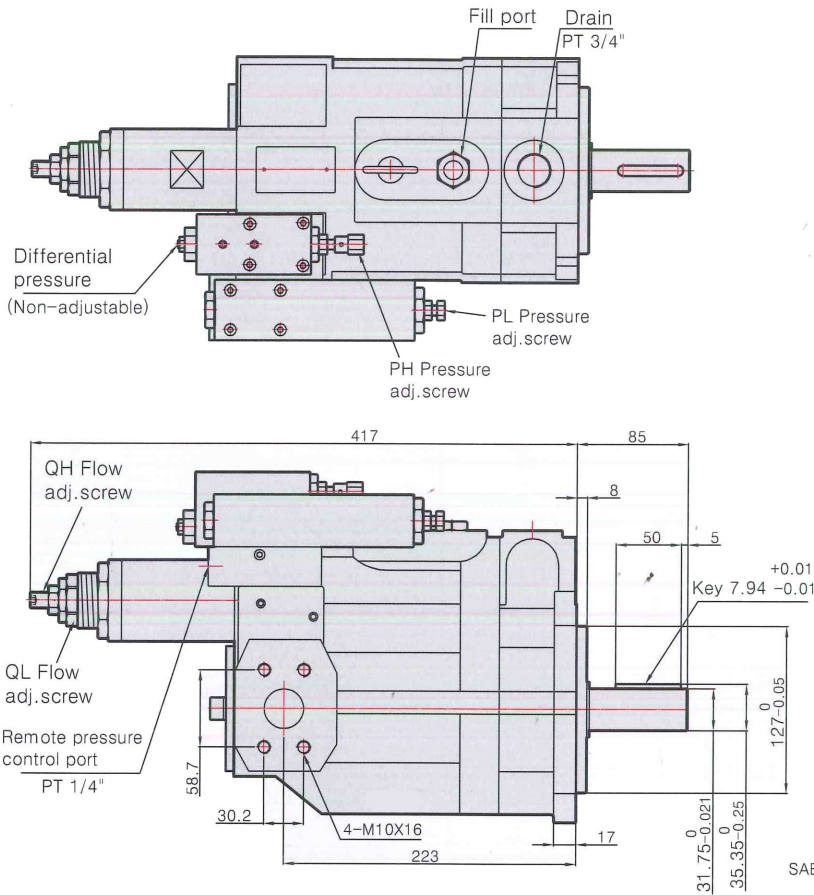
PVS36/PVS46-C\*-A\*-F-R-type



- 規格修改,本公司不另行通知
- Specification is subjected to change without notice.

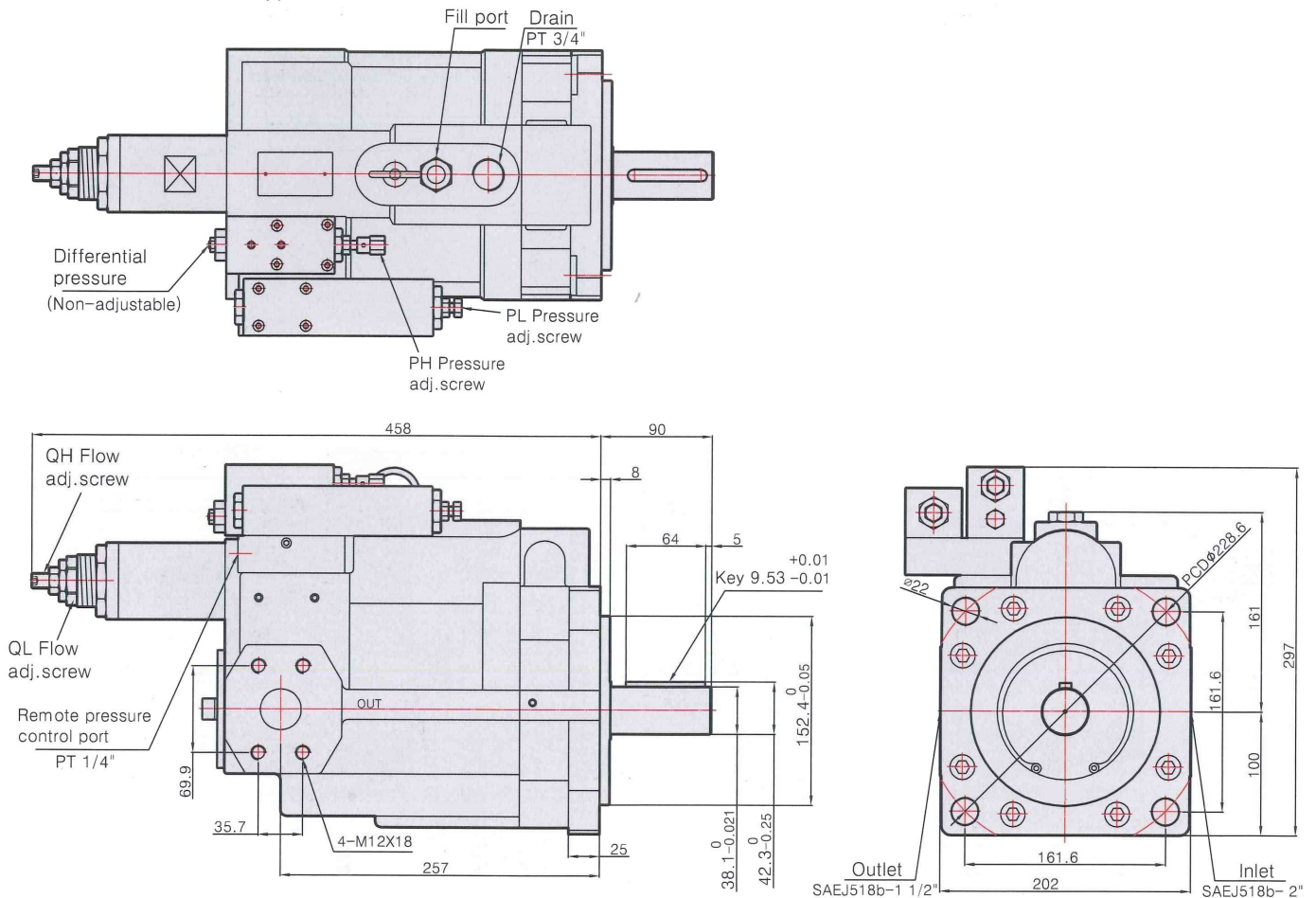
## 2-pressure 2-flow control type

### PVS70-C\*-A\*-F-R-type



Model	QL Flow Default (cm <sup>3</sup> /rev)
PVS70	20
PVS100	26

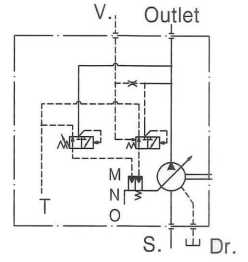
### PVS100-C\*-A\*-F-R-type



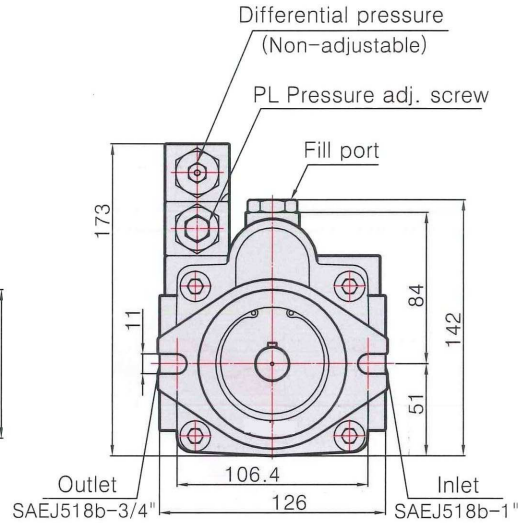
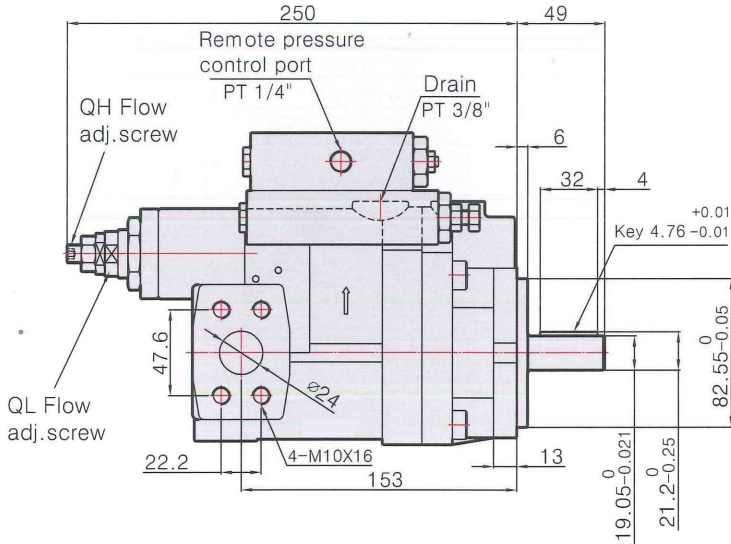
- 規格修改,本公司不另行通知
- Specification is subjected to change without notice.



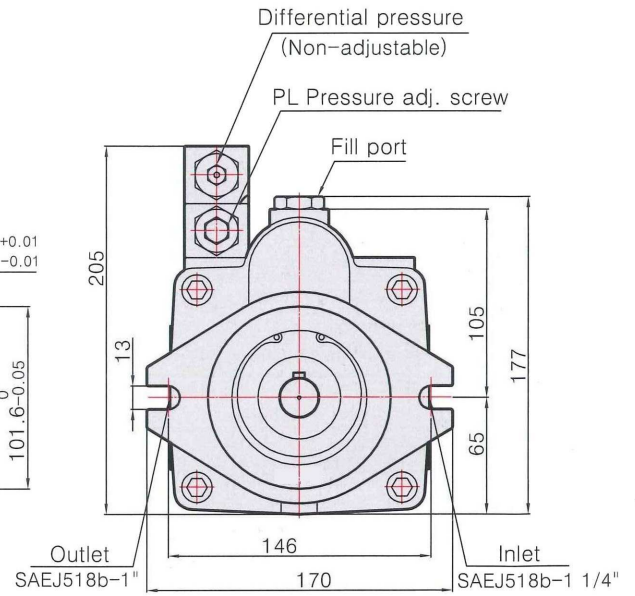
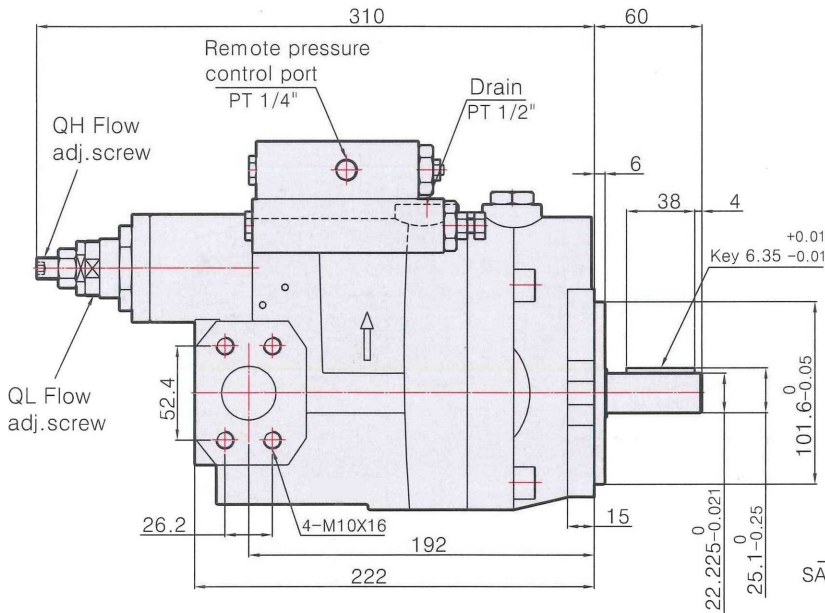
## 2-pressure 2-flow remote control PH pressure type



PVS16/PVS22-C\*-B\*-F-R-type



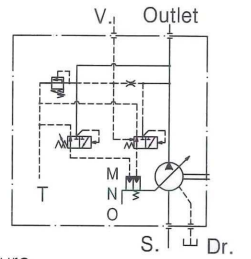
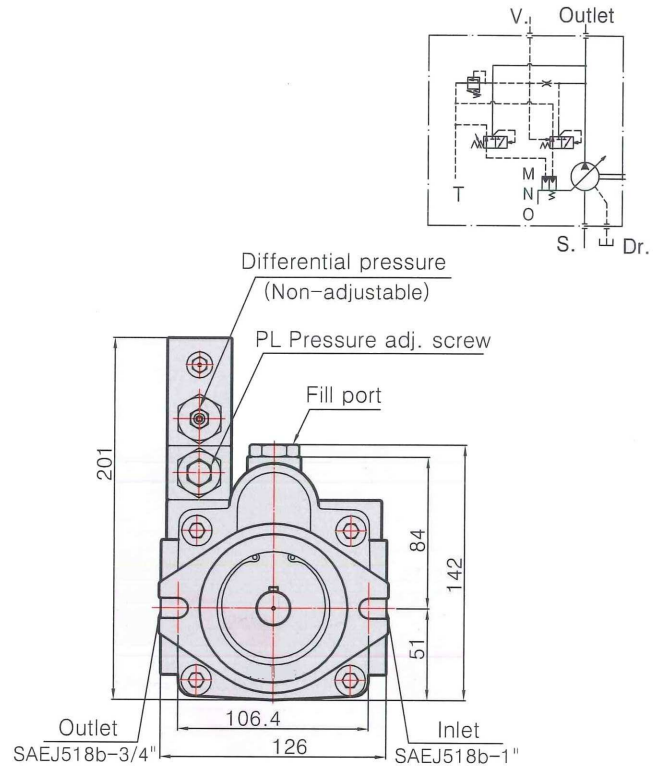
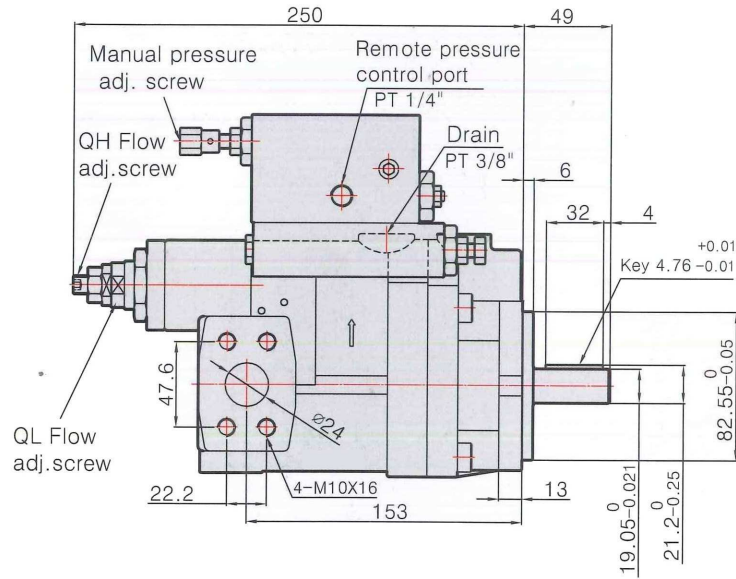
PVS36/PVS46-C\*-B\*-F-R-type



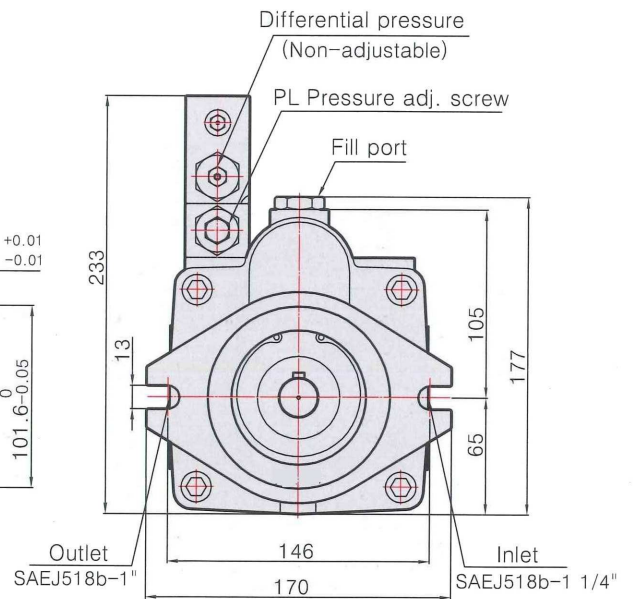
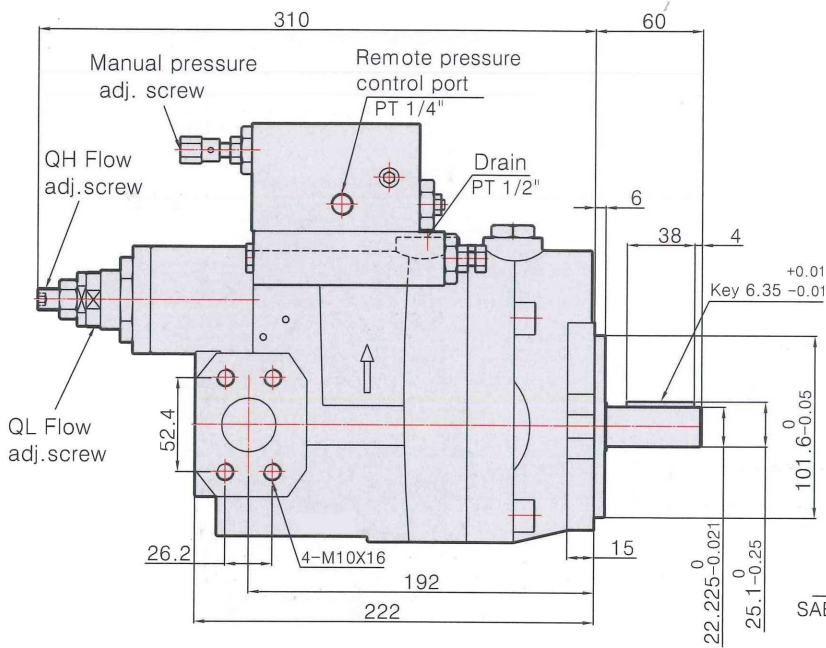
- 規格修改,本公司不另行通知
- Specification subjected to change without notice

## 2-pressure 2-flow remote control PH pressure & manual pressure type

PVS16/PVS22-C\*-BH\*-F-R-type



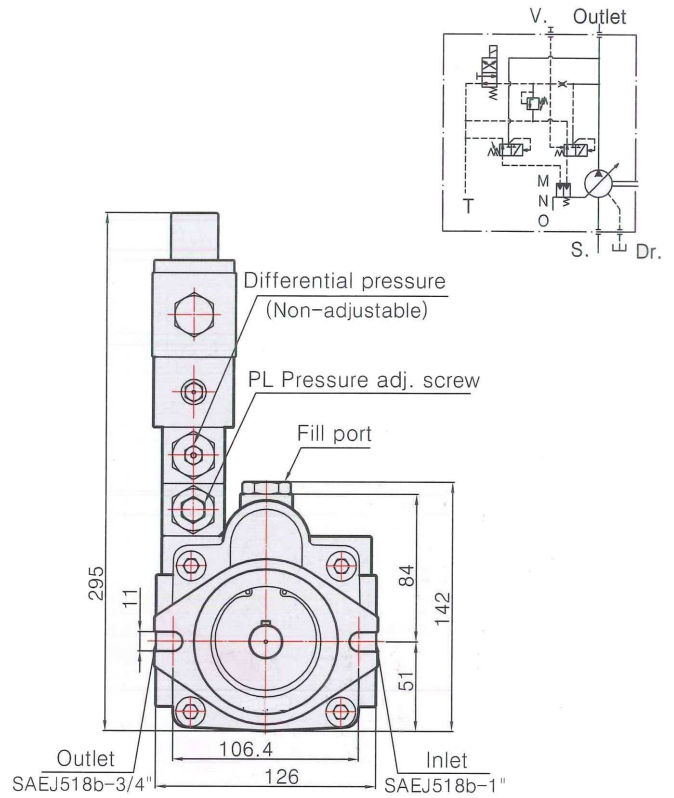
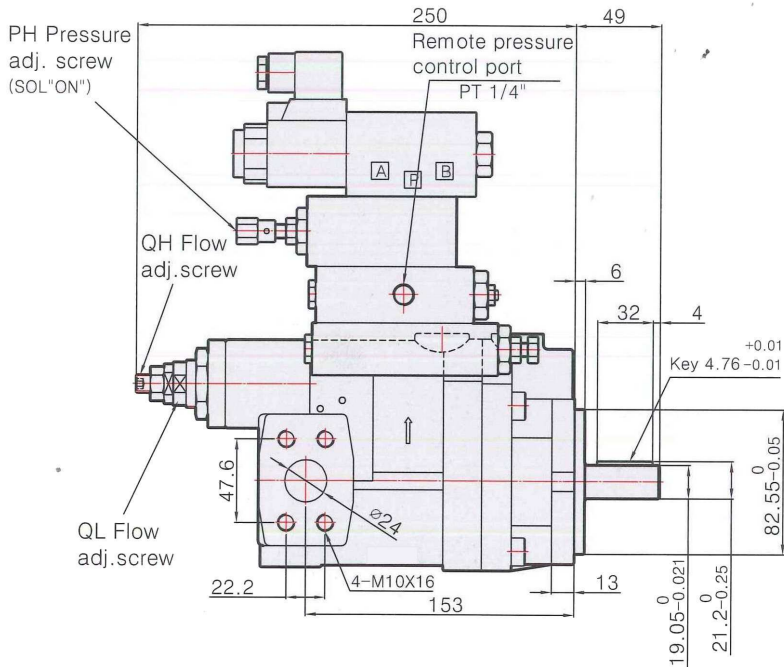
PVS36/PVS46-C\*-BH\*-F-R-type



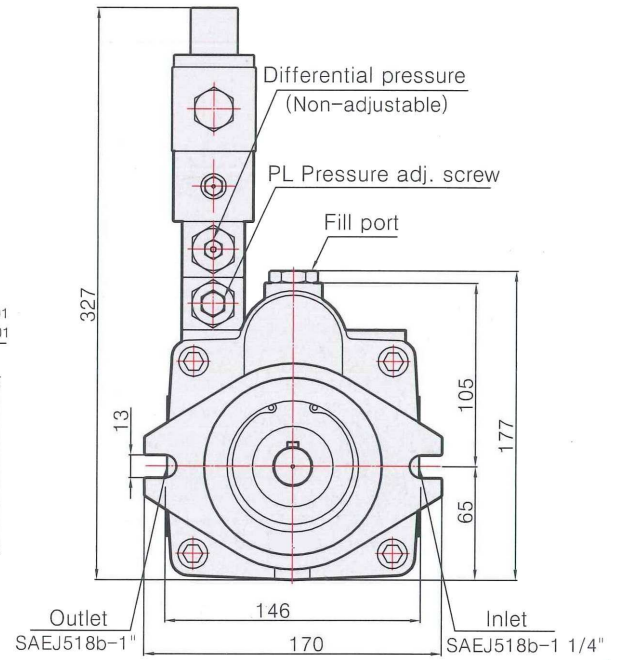
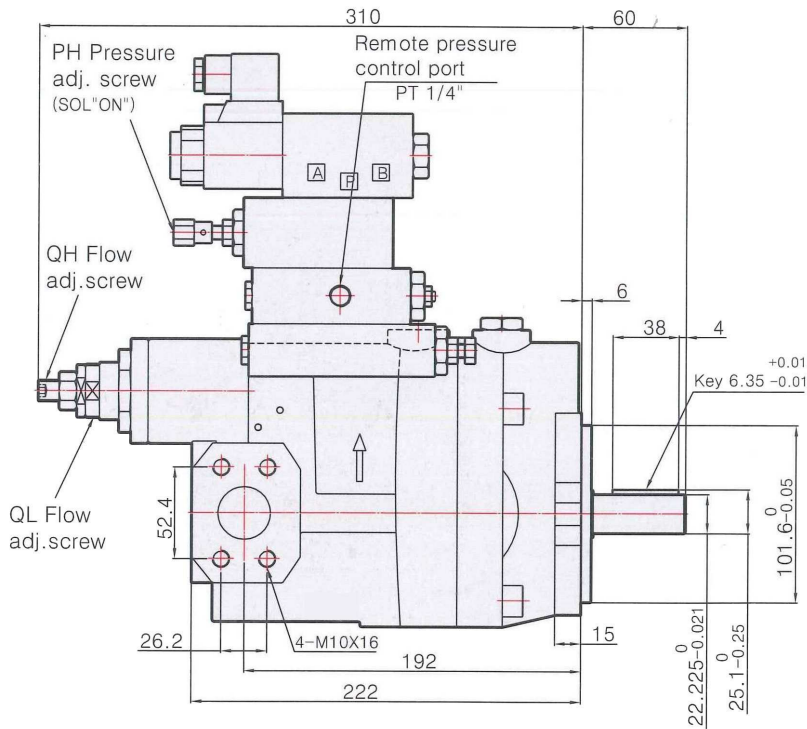
- 規格修改,本公司不另行通知
- Specification is subjected to change without notice.

## 2-pressure 2-flow solenoid cut-off control PH pressure type

PVS16/PVS22-C\*-D\*-F-R-type



PVS36/PVS46-C\*-D\*-F-R-type

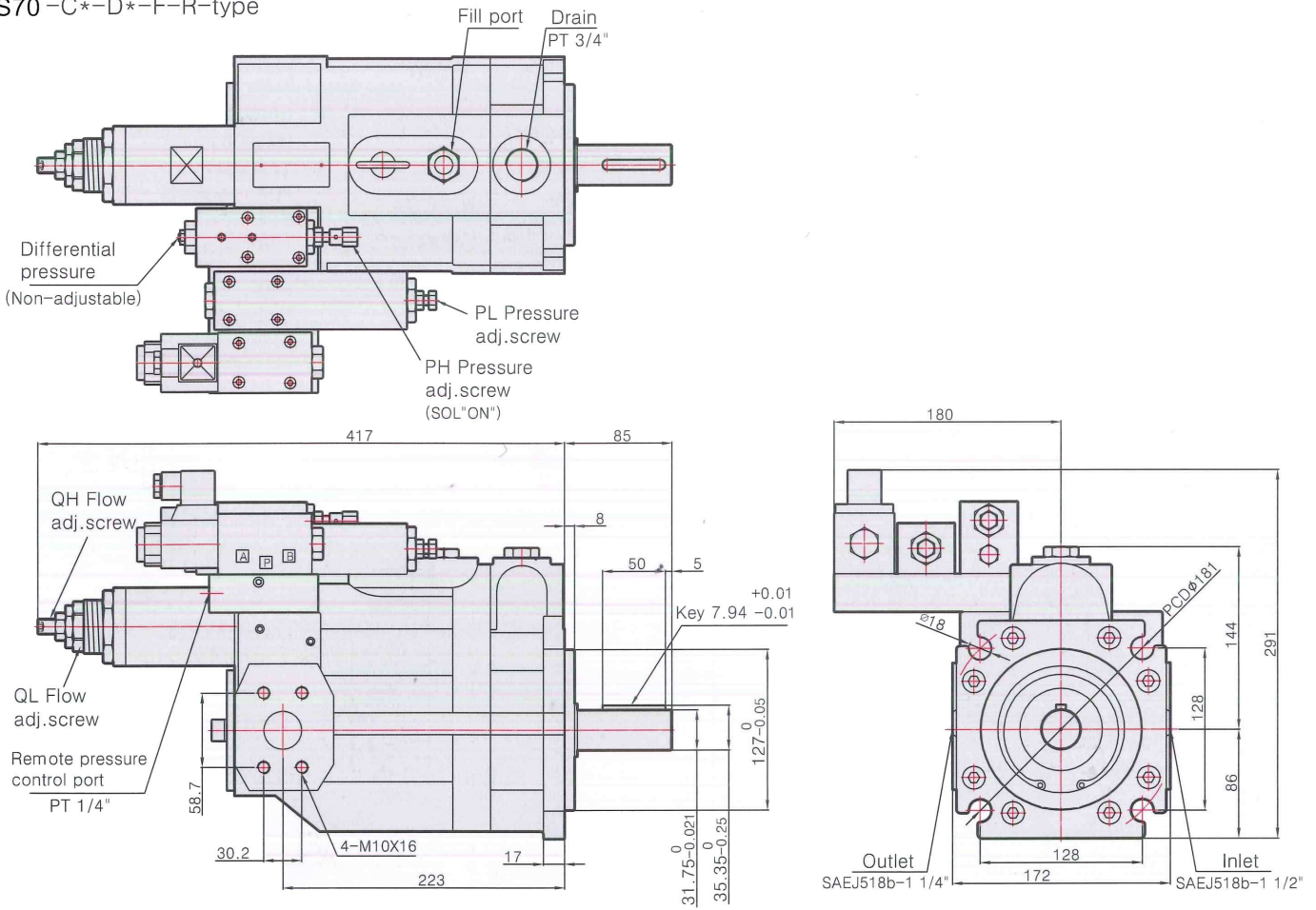


- 規格修改.本公司不另行通知
- Specification is subjected to change without notice.

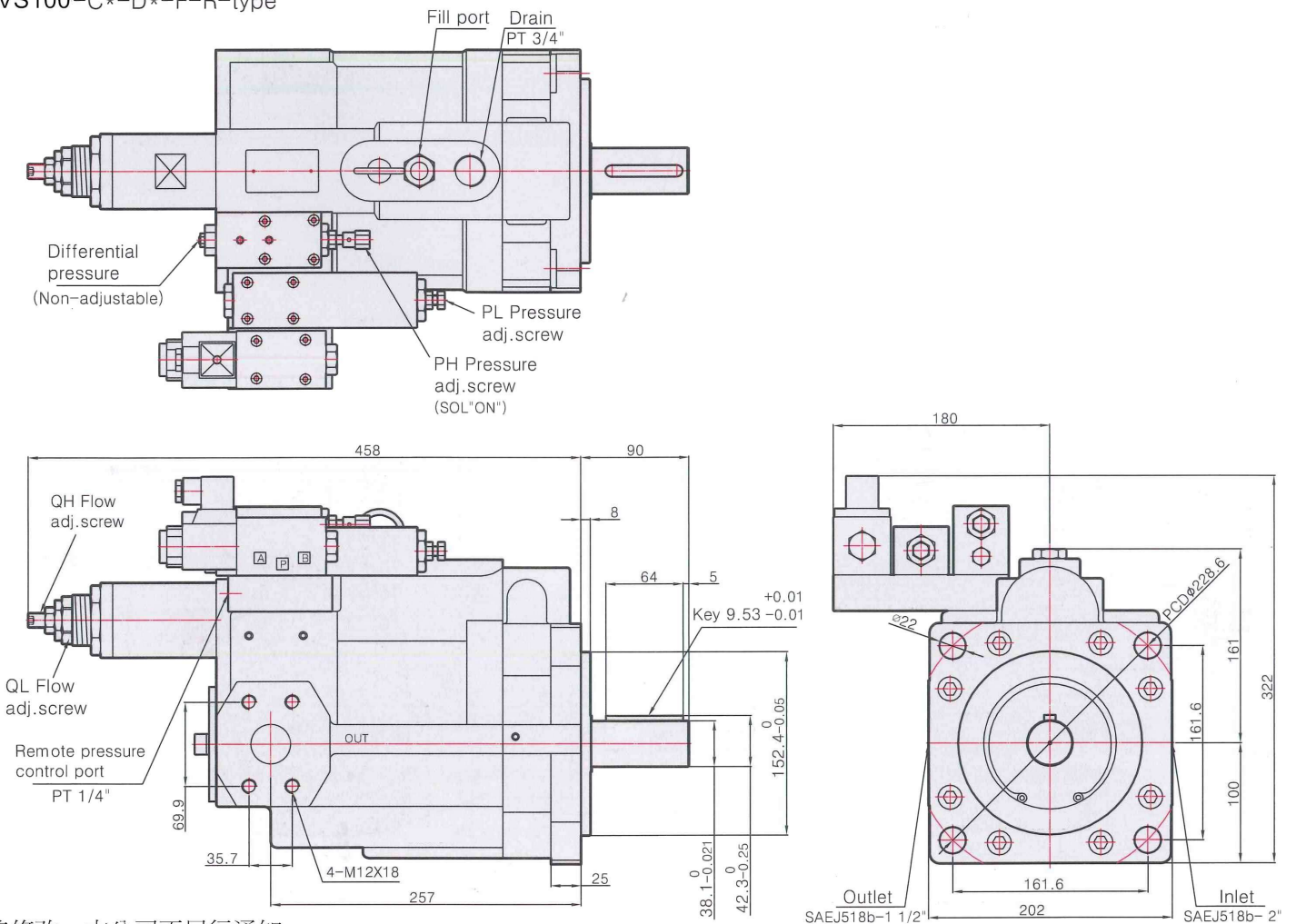


## 2-pressure 2-flow solenoid cut-off control PH pressure type

PVS70-C\*-D\*-F-R-type

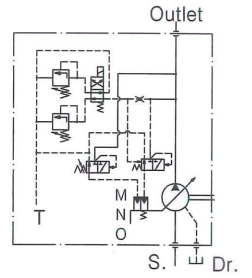
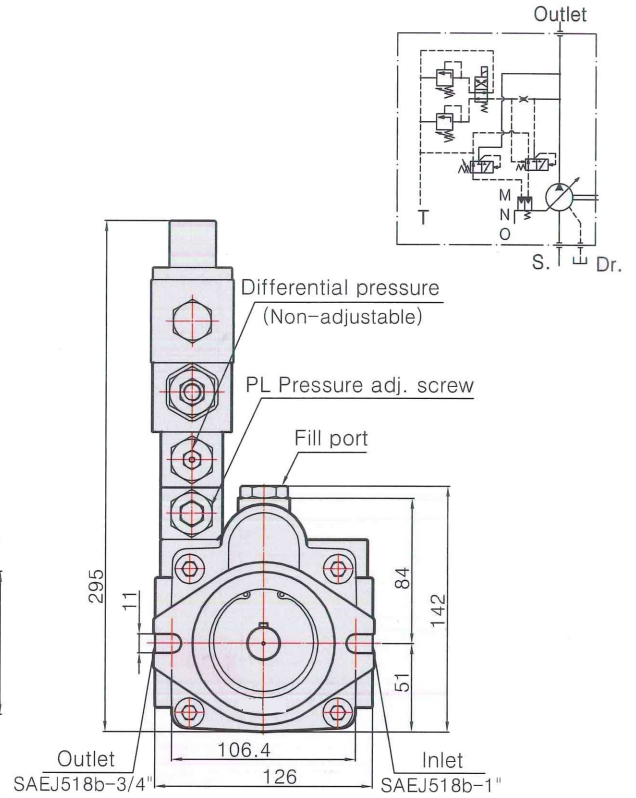
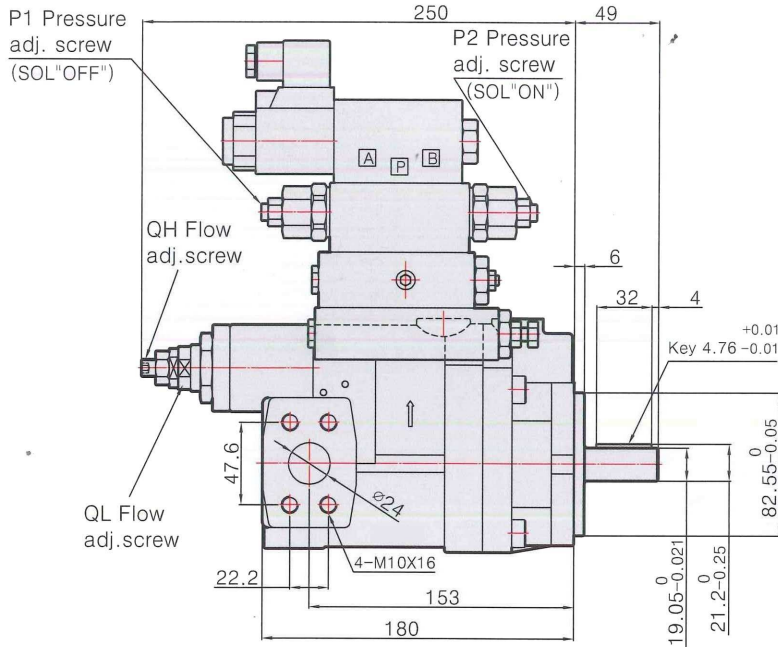


PVS100-C\*-D\*-F-R-type

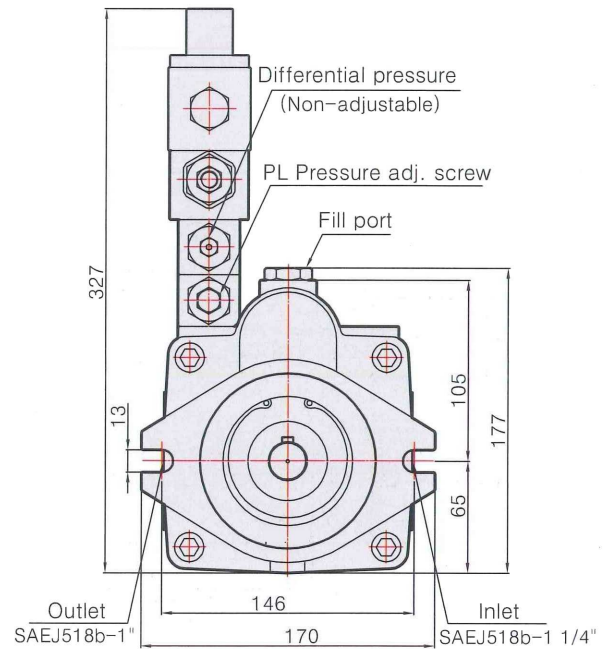
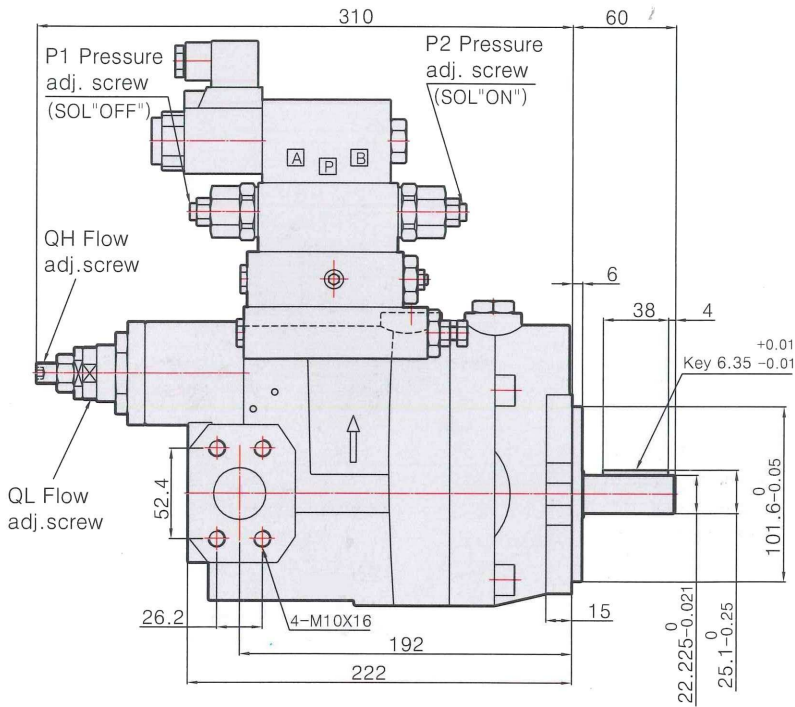


## 2-pressure 2-flow solenoid control PH two pressure type

PVS16/PVS22-C\*-E\*-F-R-type



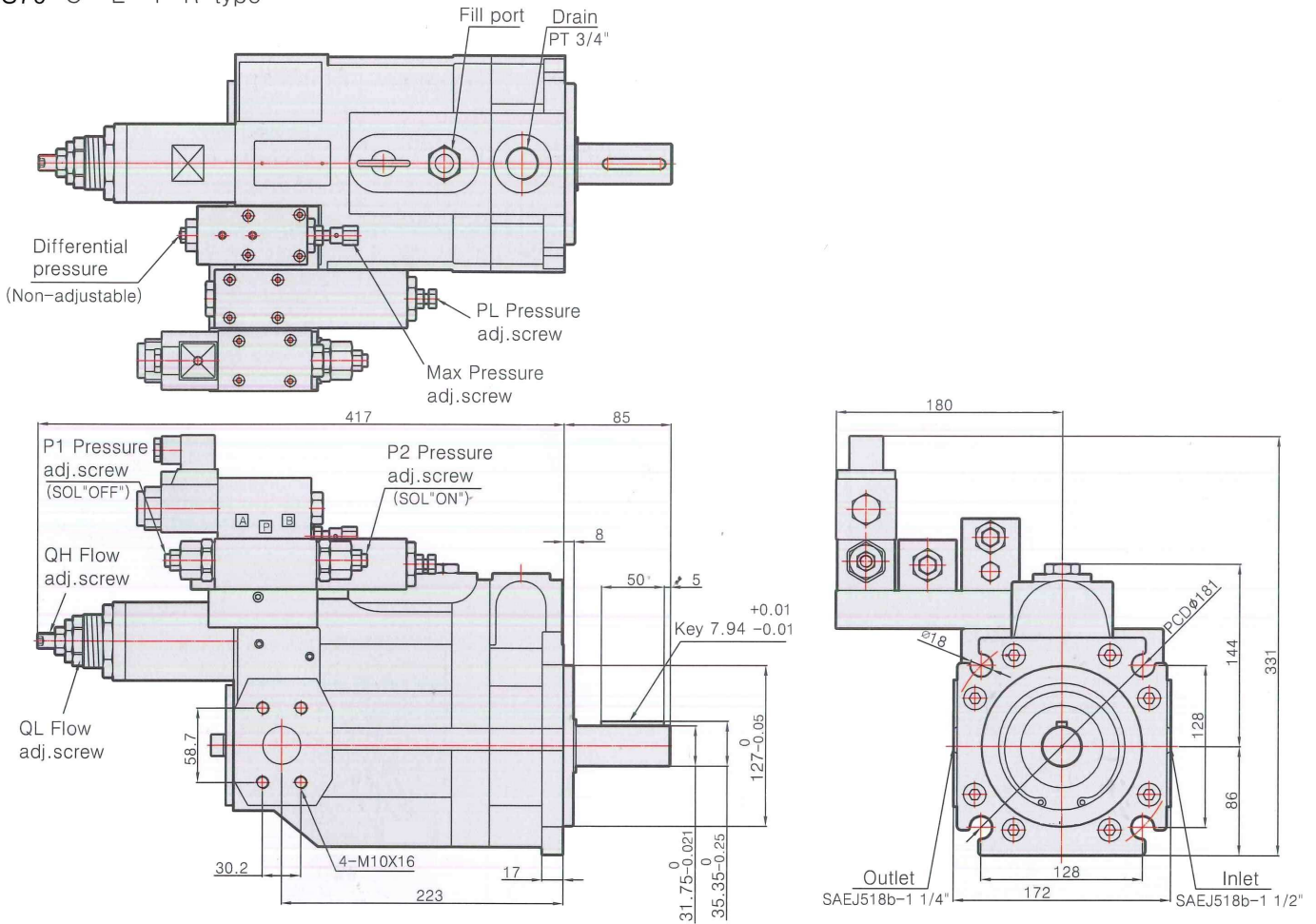
PVS36/PVS46-C\*-E\*-F-R-type



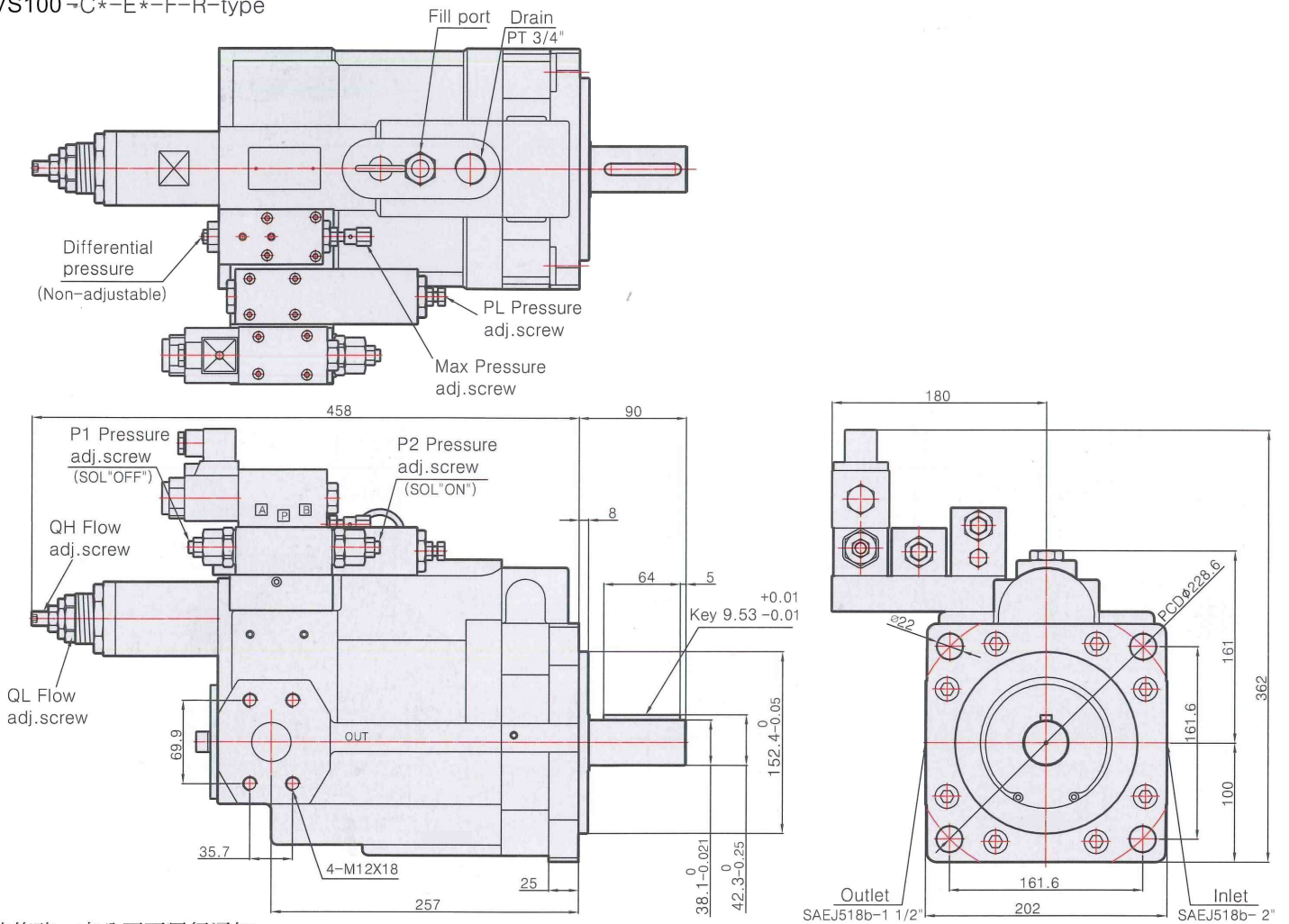
- 規格修改,本公司不另行通知
- Specification is subjected to change without notice.

## 2-pressure 2-flow solenoid control PH two pressure type

PVS70-C\*-E\*-F-R-type



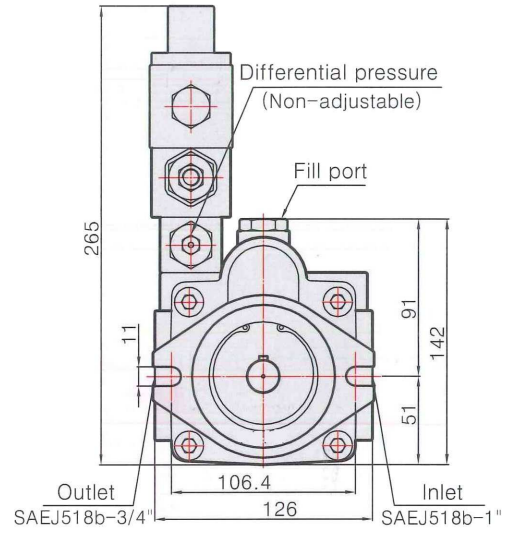
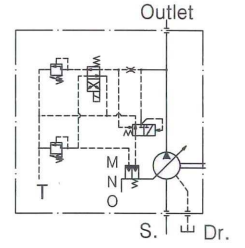
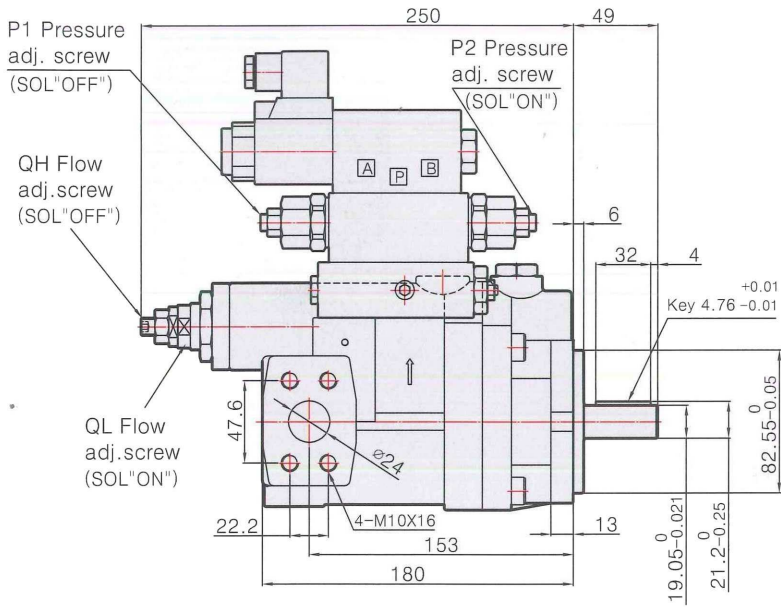
PVS100-C\*-E\*-F-R-type



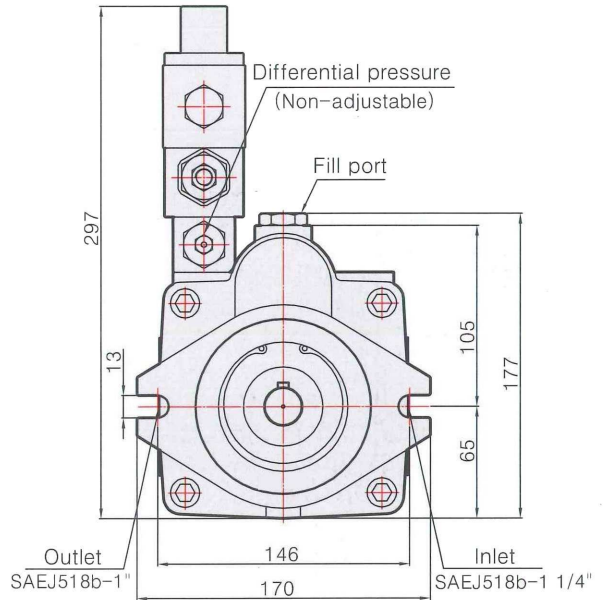
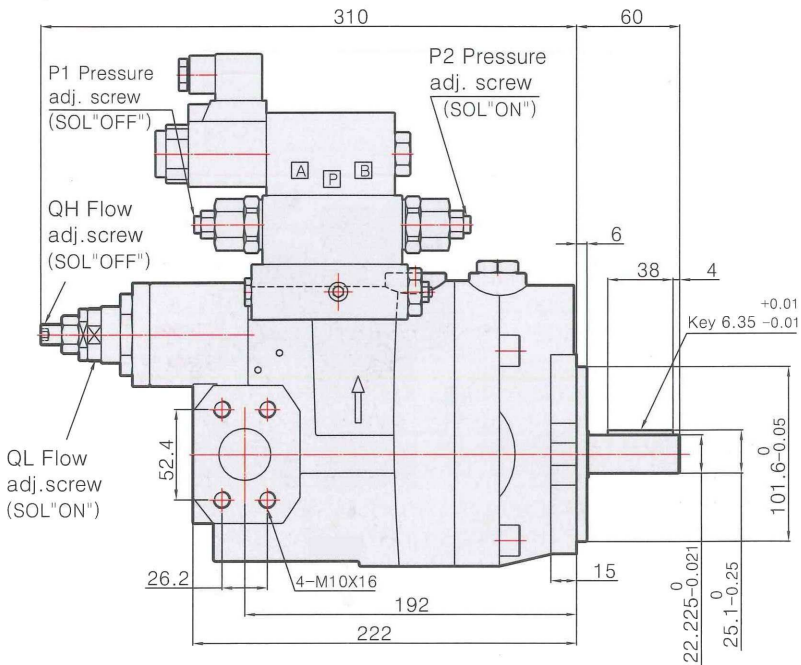


# Solenoid cut-off control 2-pressure 2-flow type

PVS16/PVS22-CL\*-H\*-F-R-01-type



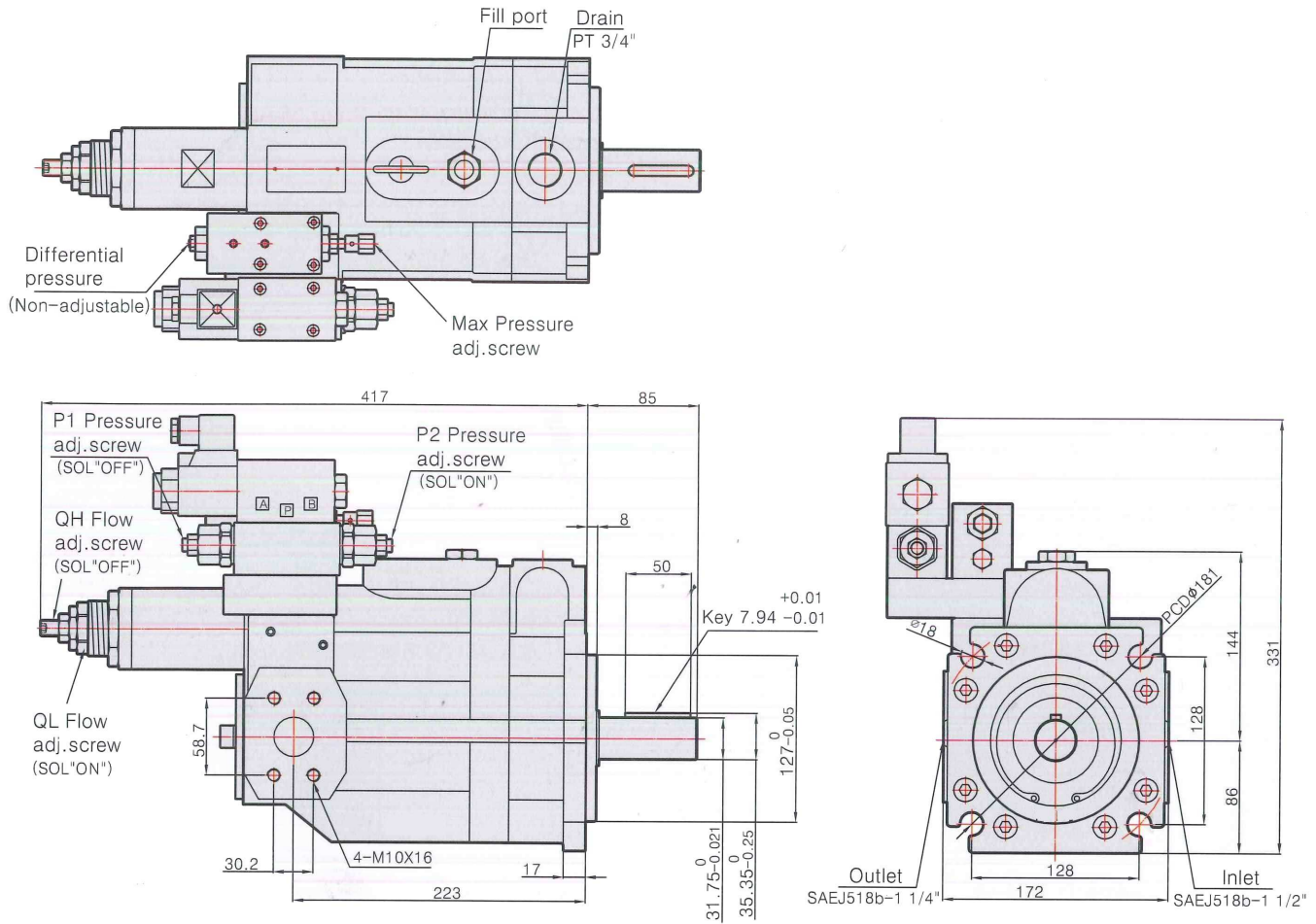
PVS36/PVS46-CL\*-H\*-F-R-01-type



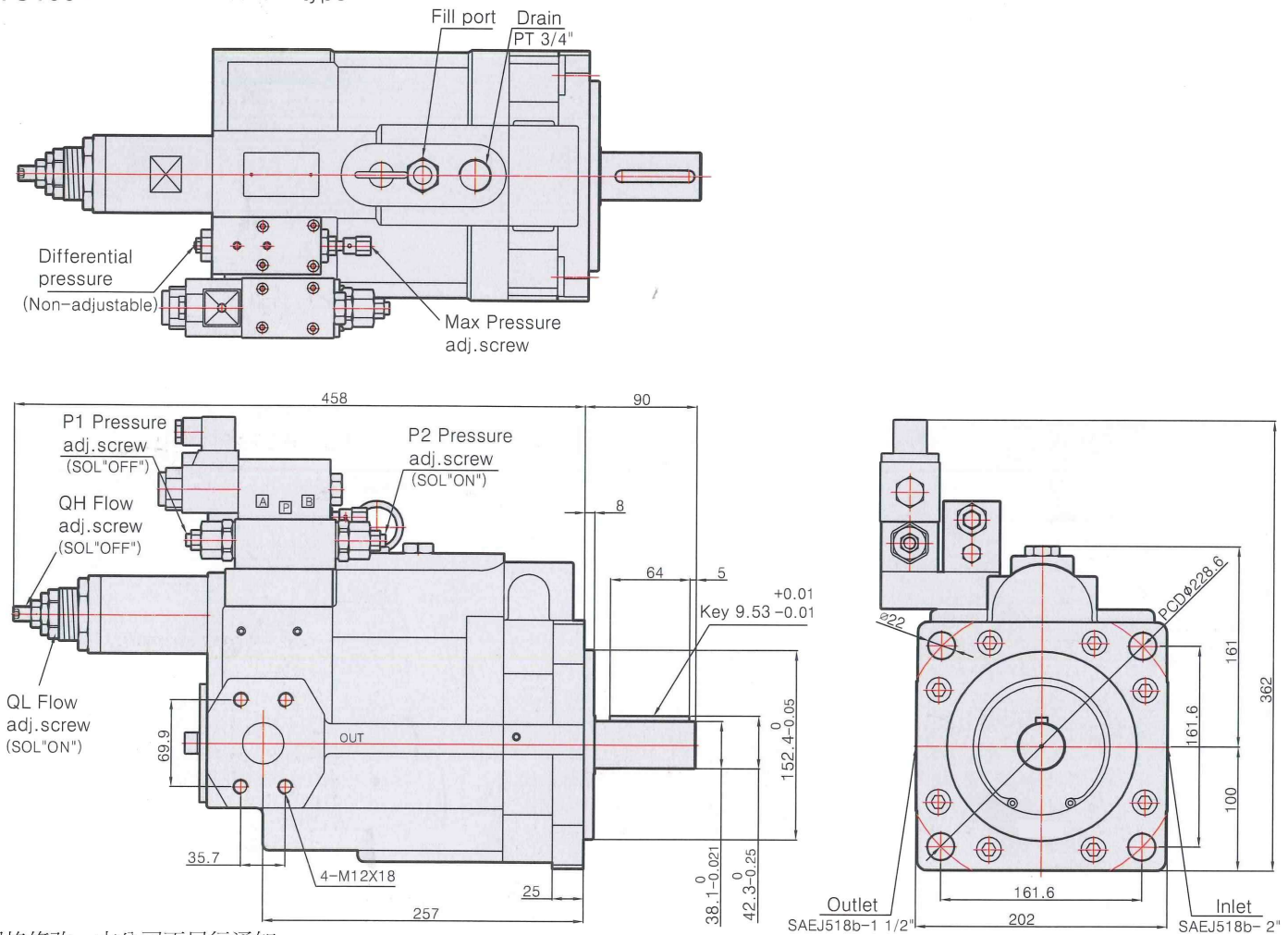
- 規格修改,本公司不另行通知
- Specification is subjected to change without notice.

# Solenoid cut-off control 2-pressure 2-flow type

PVS70-CL\*-H\*-F-R-01-type



PVS100-CL\*-H\*-F-R-01-type



●規格修改，本公司不另行通知  
 ●Specification is subjected to change without notice.