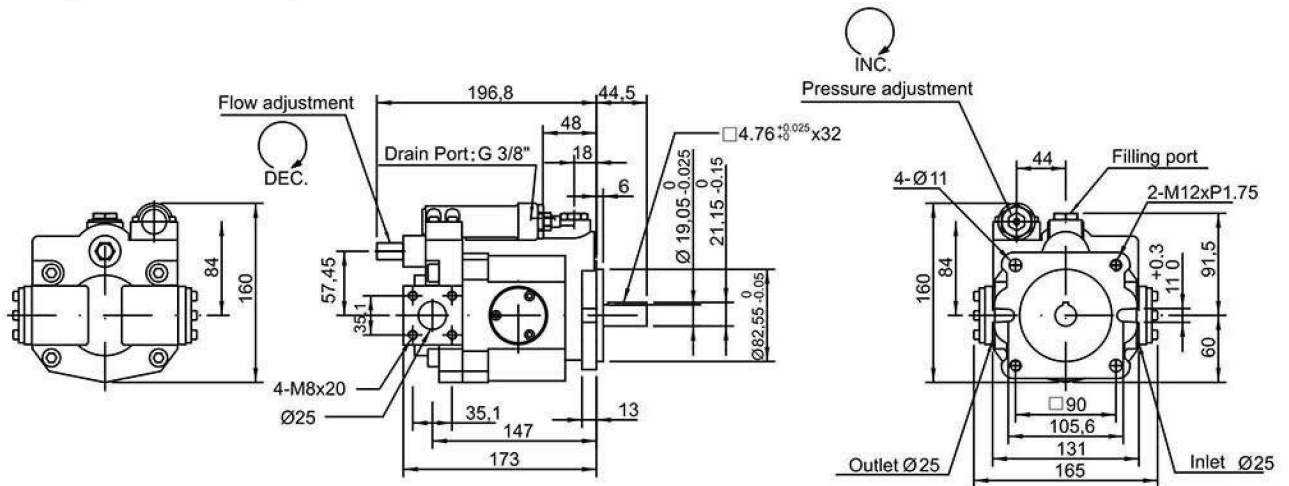


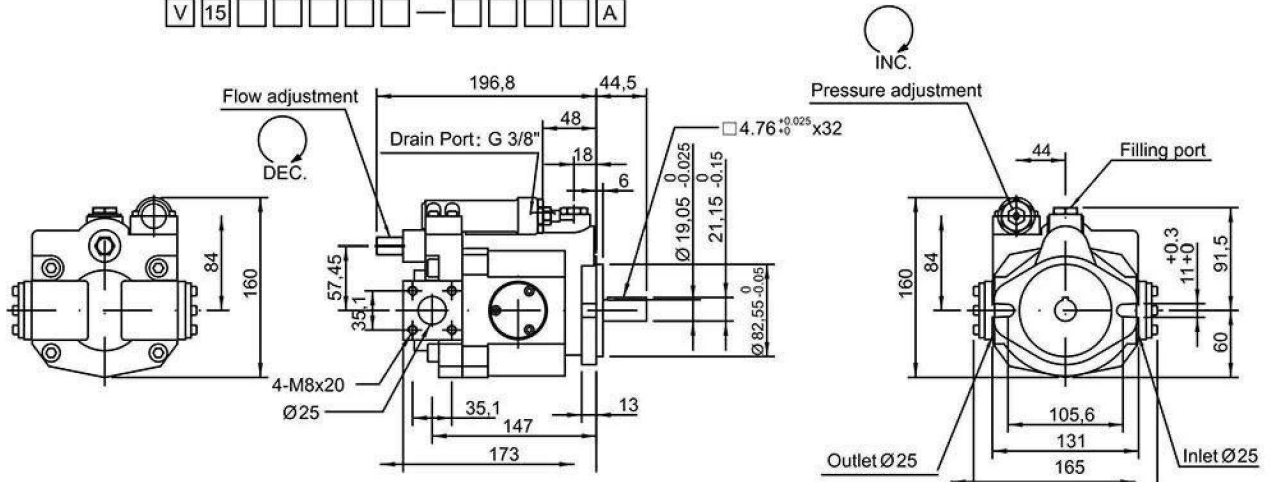
Dimension

V15A, V18A Standard pressure control

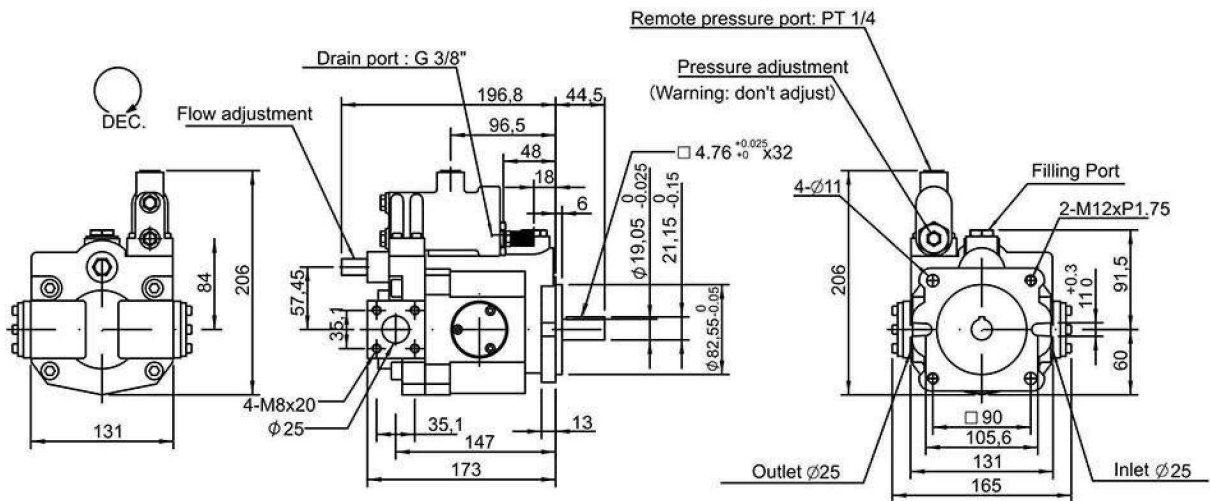


V15A, V18A Standard pressure control (SAE A 2 bolt) Please following order code no.12

V 15 □ □ □ □ □ — □ □ □ □ □ A

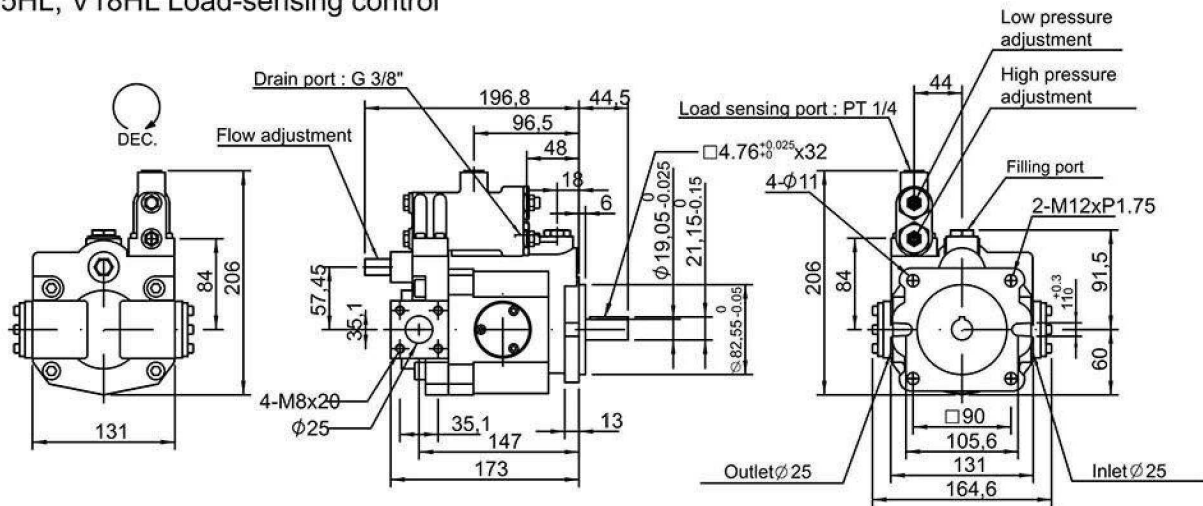


V15G, V18G Remote pressure control



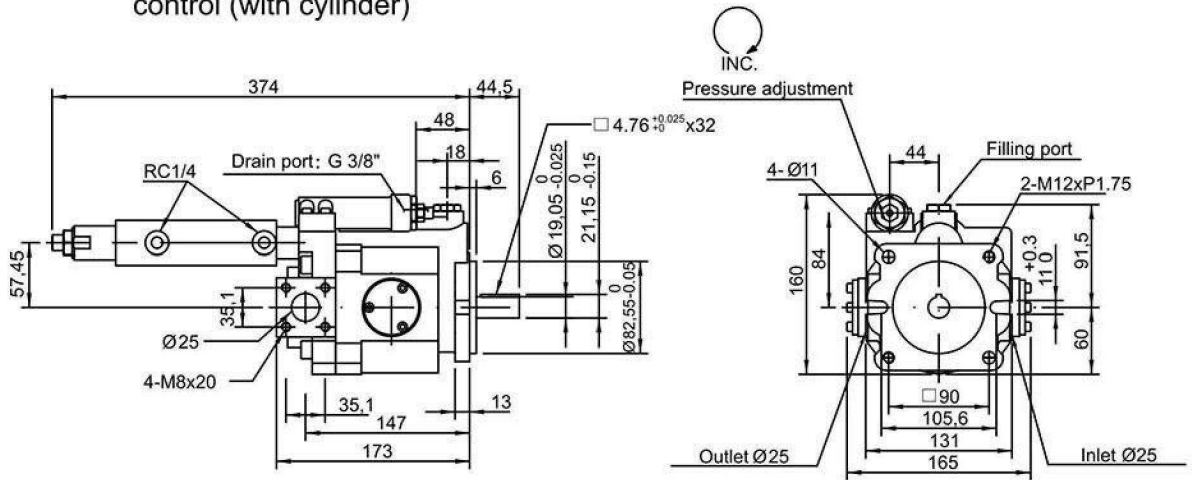
Dimension

V15HL, V18HL Load-sensing control

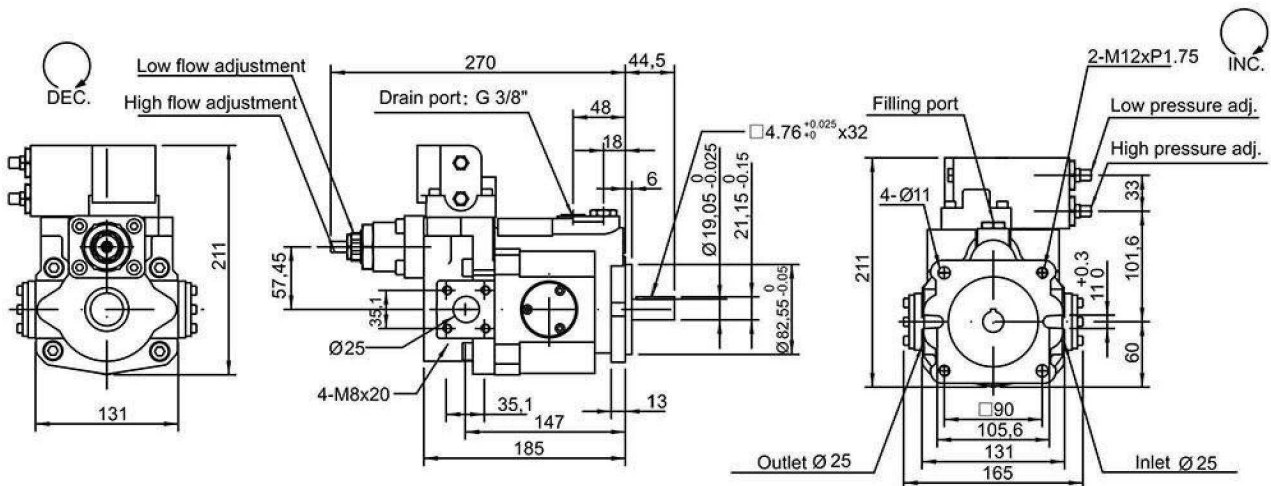


V15B, V18B Multi-stage flow & Single-stage pressure control (with cylinder)

(Remark : Install with A type control)



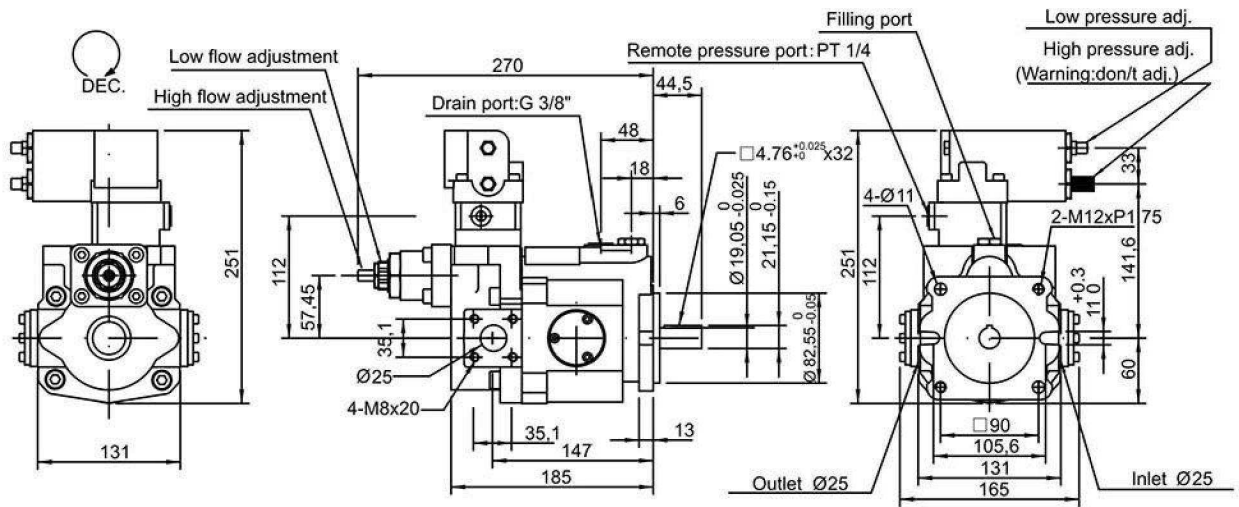
V15C, V18C 2-stage pressure & Flow control



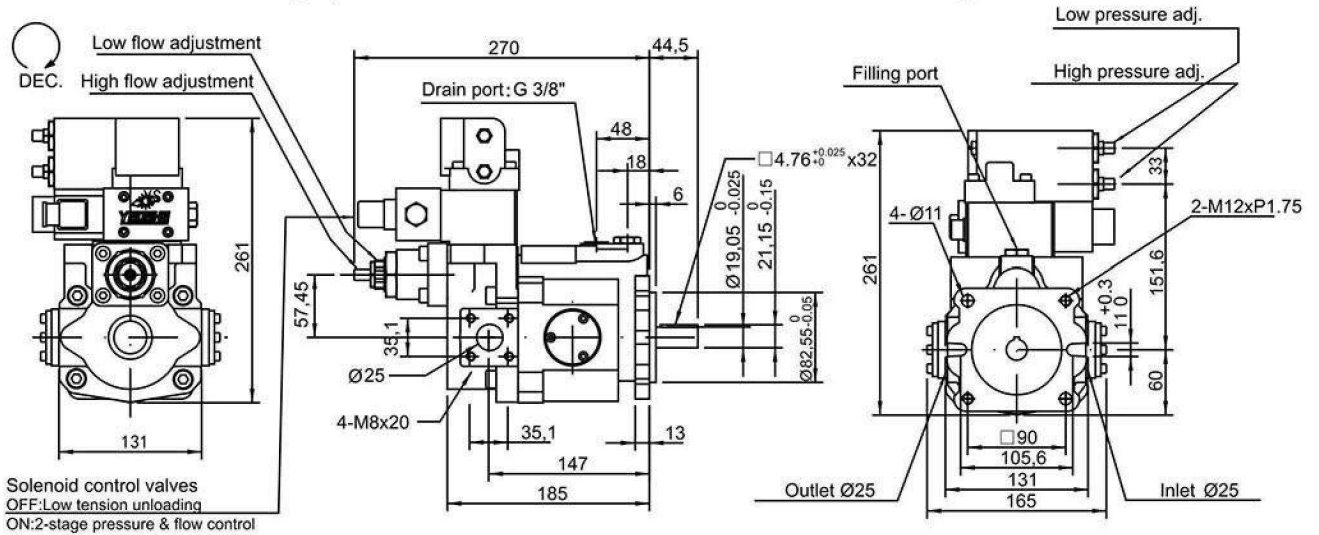
- 規格修改,本公司不另行通知
- Specification is subjected to change without notice.

Dimension

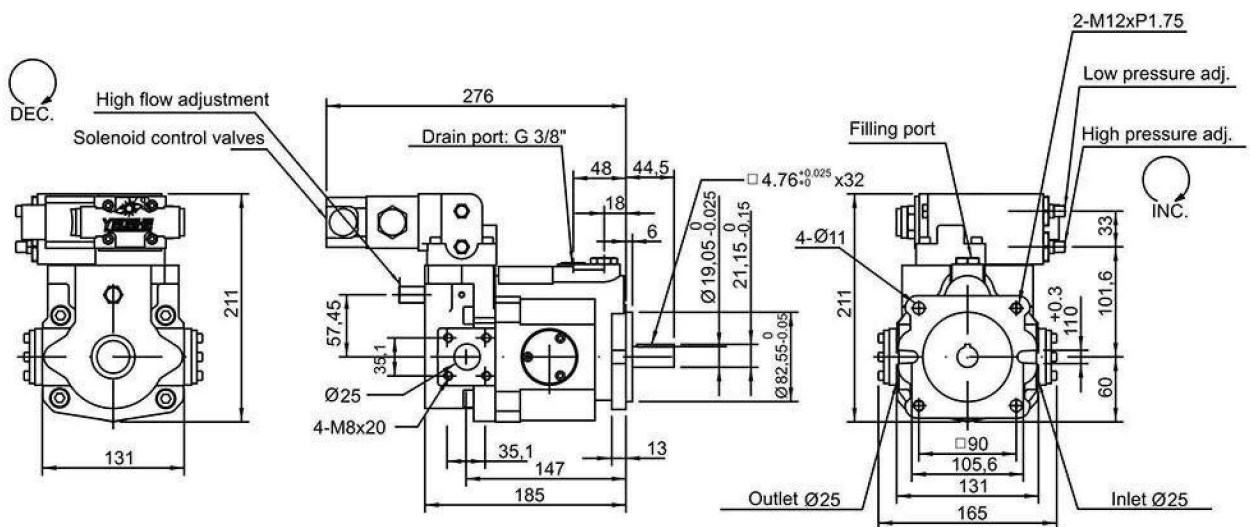
V15CG, V18CG 2-stage pressure & Flow control + Remote



V15CR, V18CR 2-stage pressure & Flow control + Low tension unloading

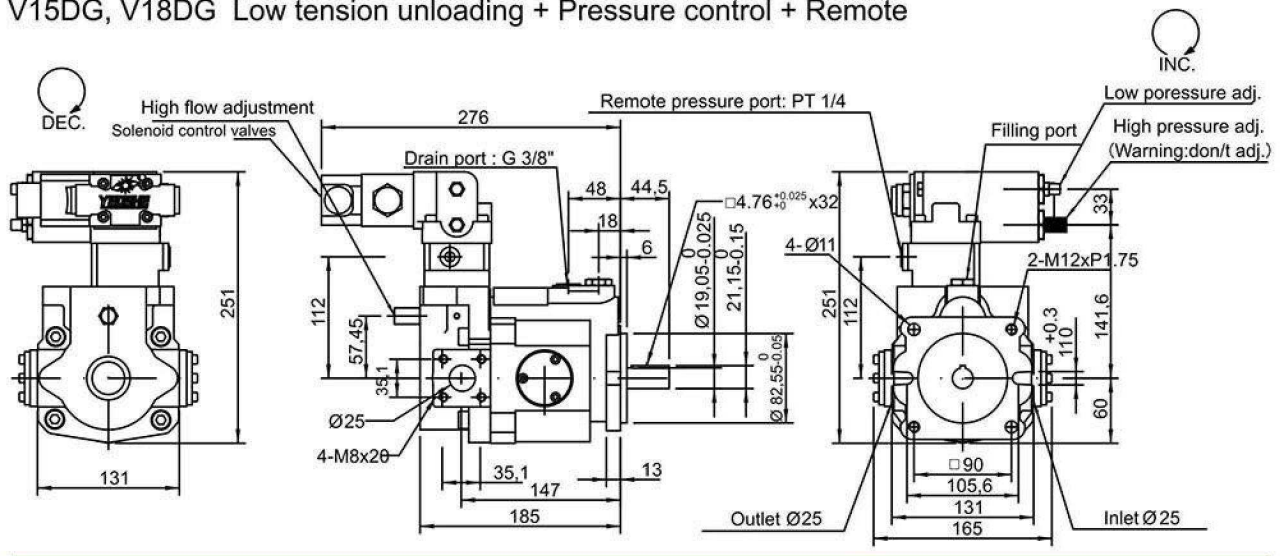


V15D, V18D Low tension unloading + Pressure control

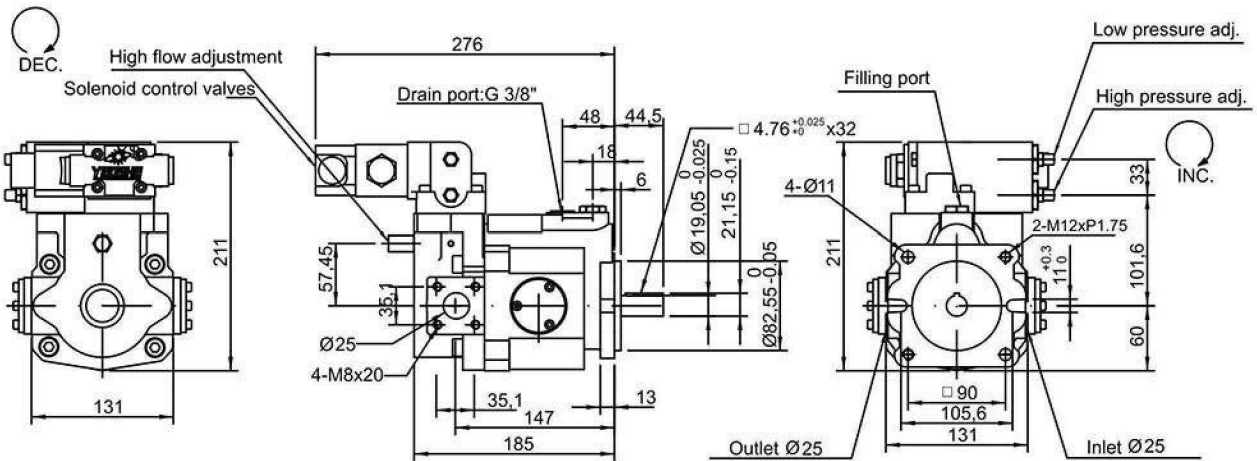


Dimension

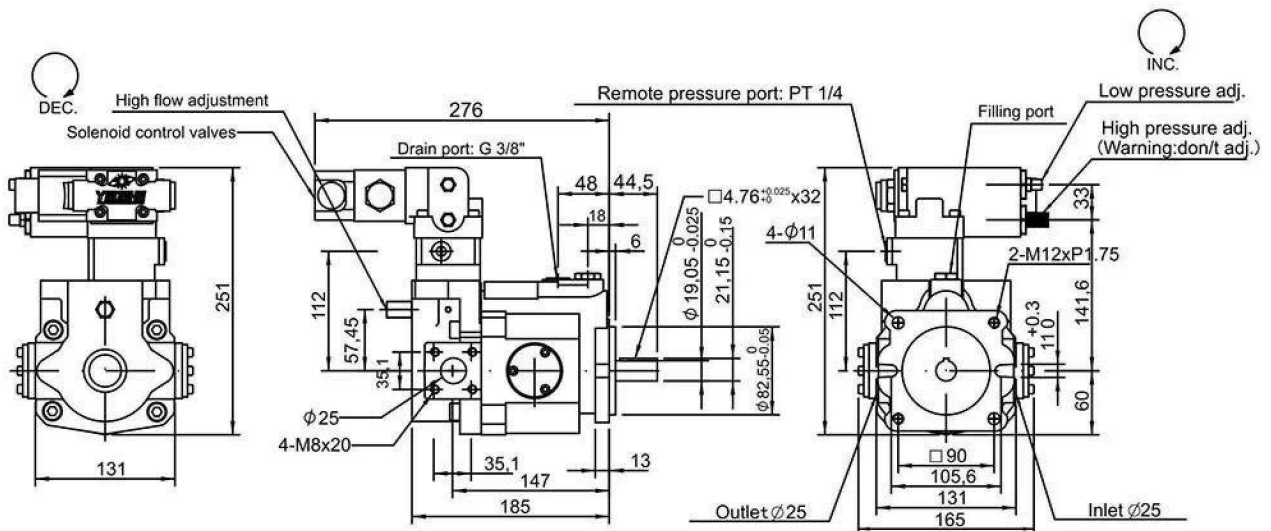
V15DG, V18DG Low tension unloading + Pressure control + Remote



V15E, V18E Electric 2-stage pressure control

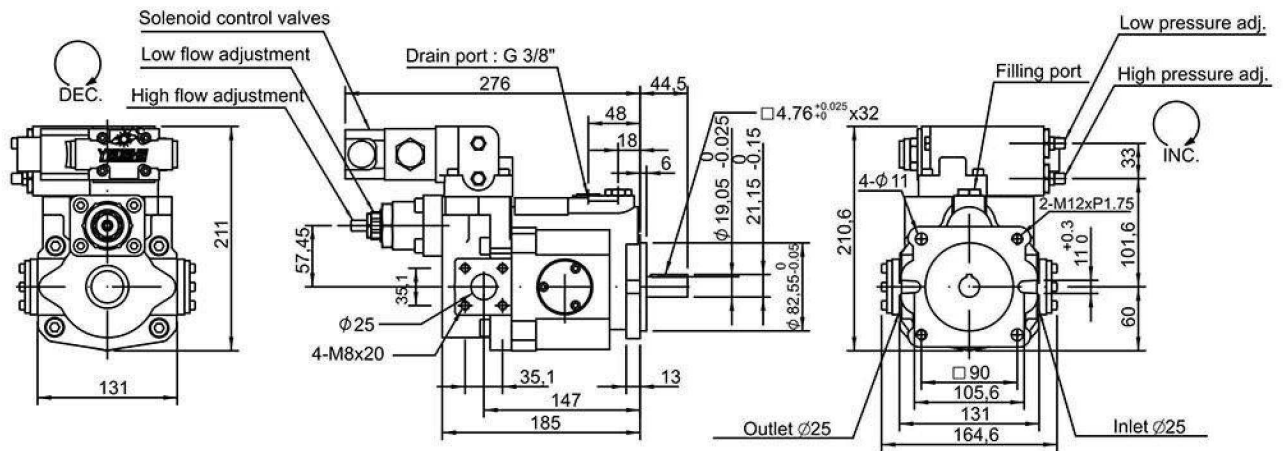


V15EG, V18EG Electric 2-stage pressure control + Remote

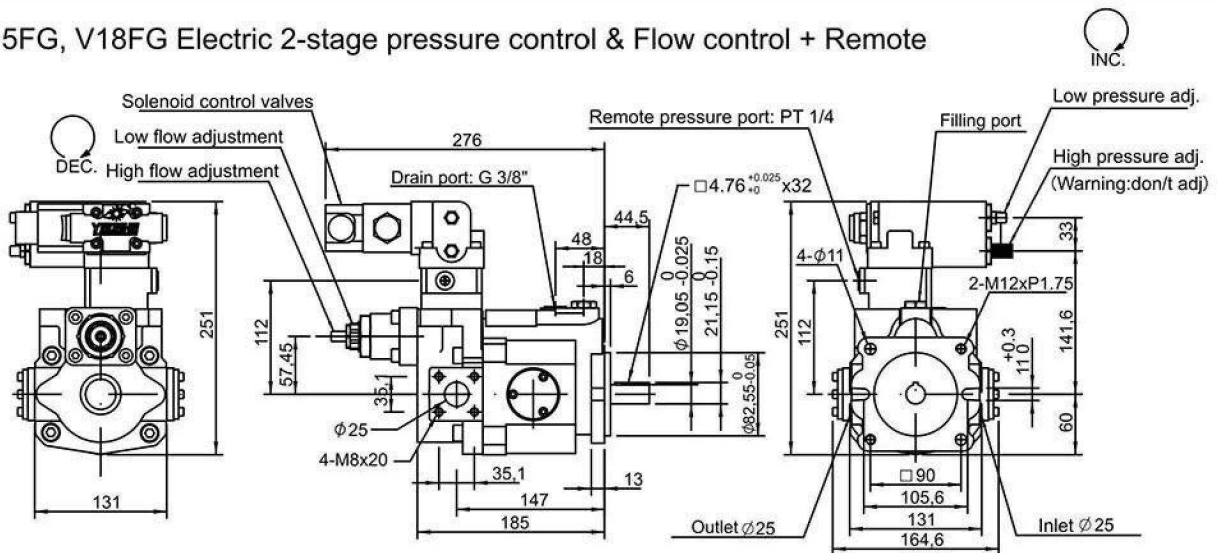


Dimension

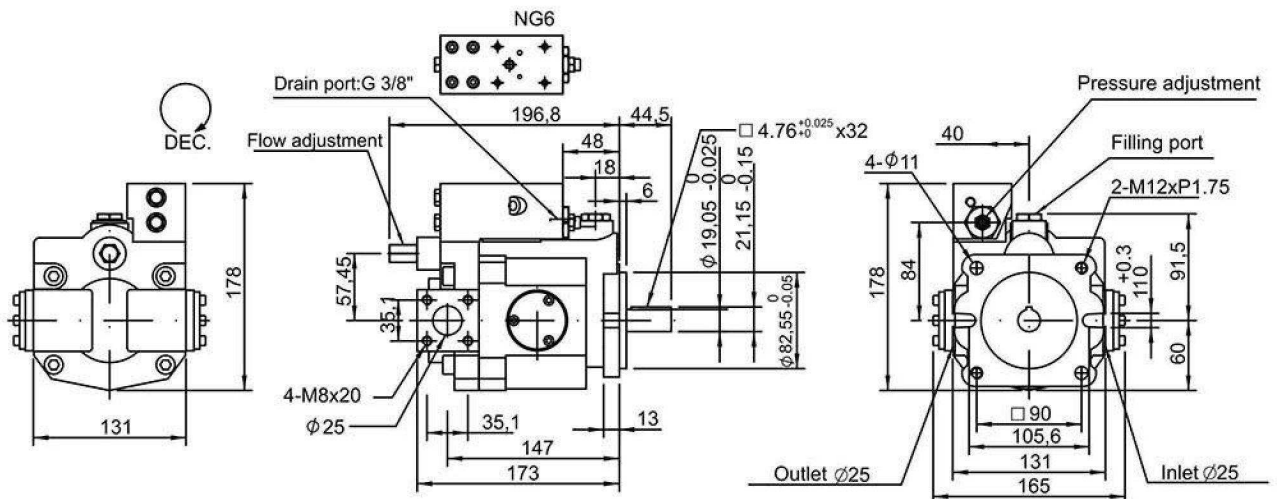
V15F, V18F Electric 2-stage pressure control & Flow control



V15FG, V18FG Electric 2-stage pressure control & Flow control + Remote



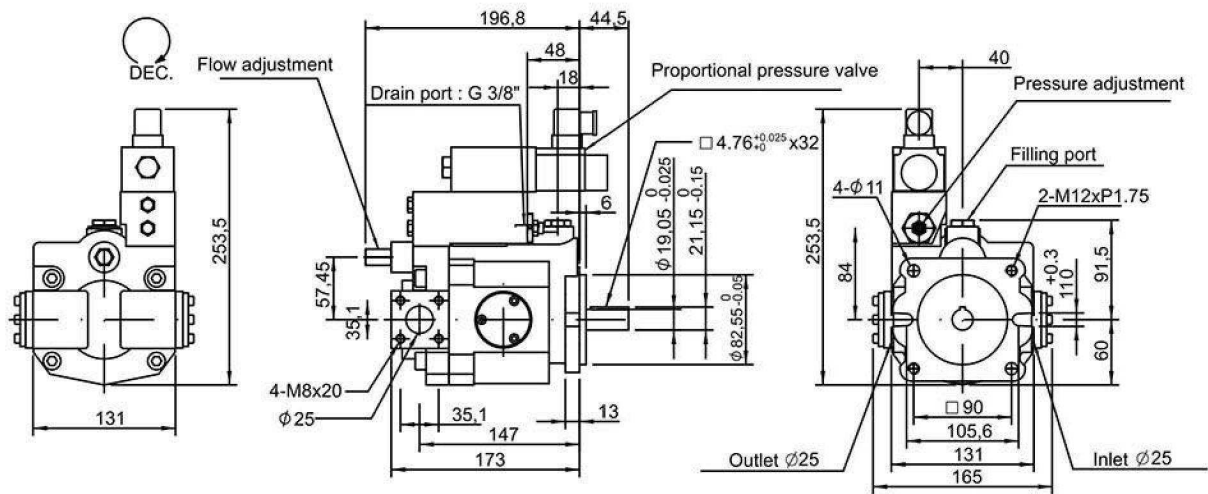
V15GM, V18GM Remote pressure compensator with NG6 interface



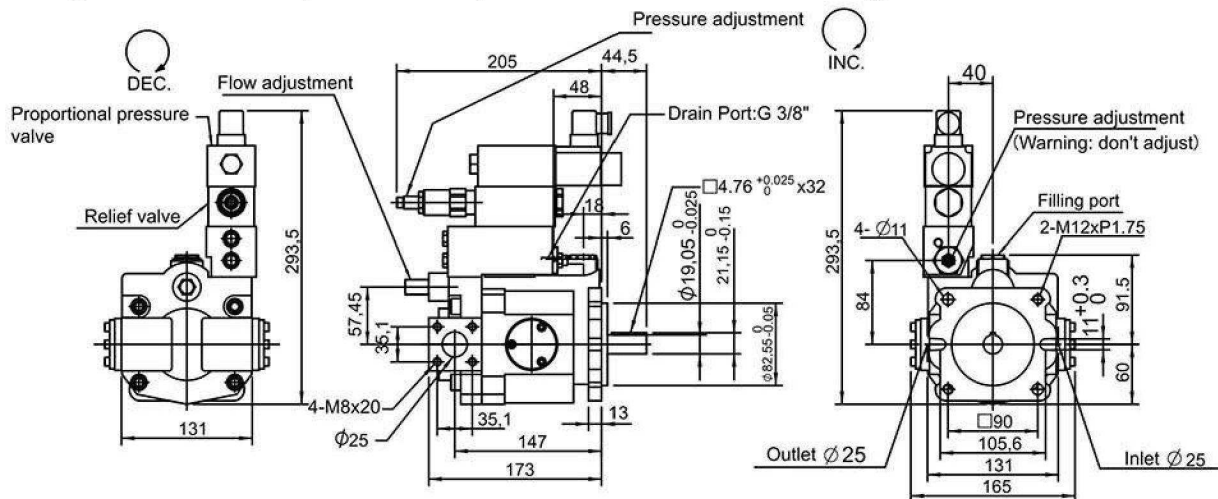
- 規格修改,本公司不另行通知
- Specification is subjected to change without notice.

Dimension

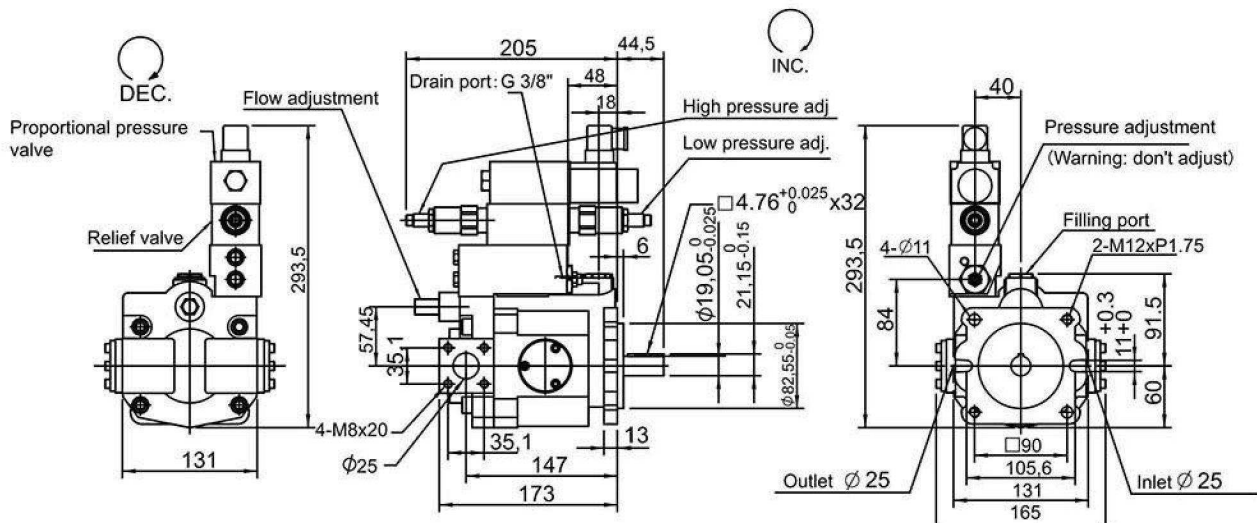
V15GJ, V18GJ Remote pressure compensator + Proportional pressure valve



V15GR, V18GR Remote pressure compensator + Electrical unloading



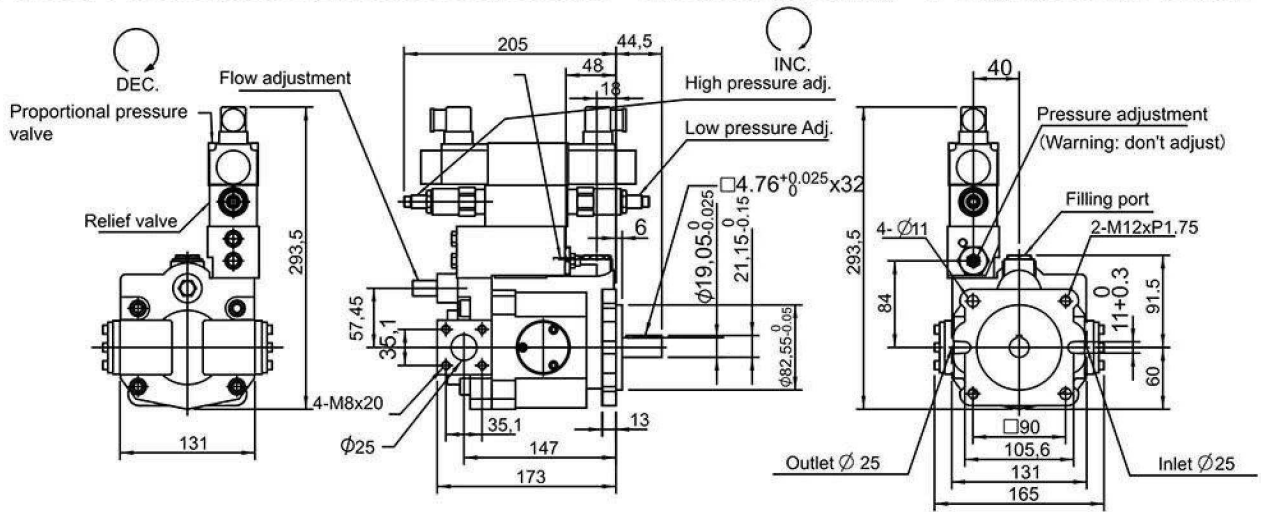
V15GB, V18GB Remote pressure compensator + 2-stage pressure control



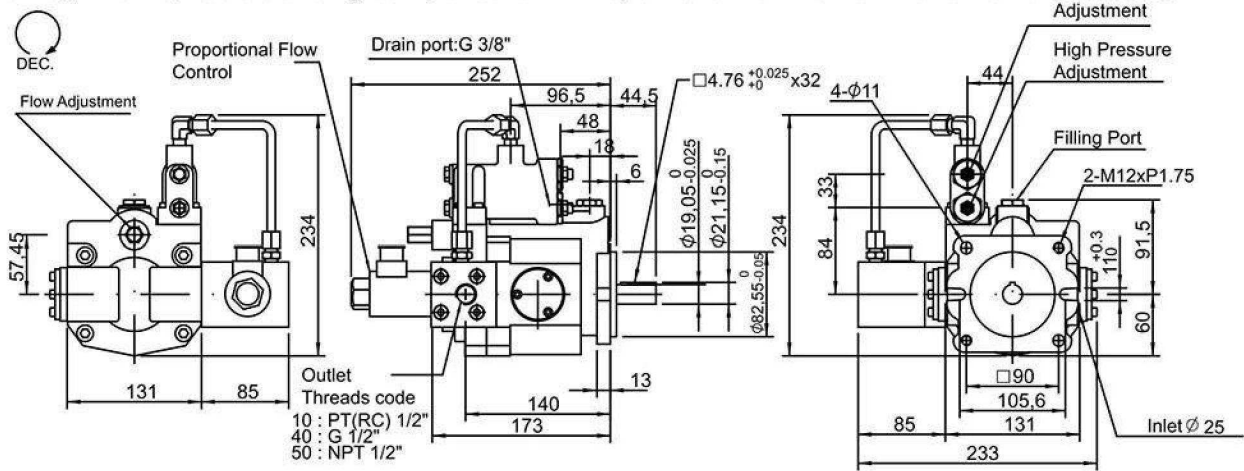
- 規格修改,本公司不另行通知
- Specification is subjected to change without notice.

Dimension

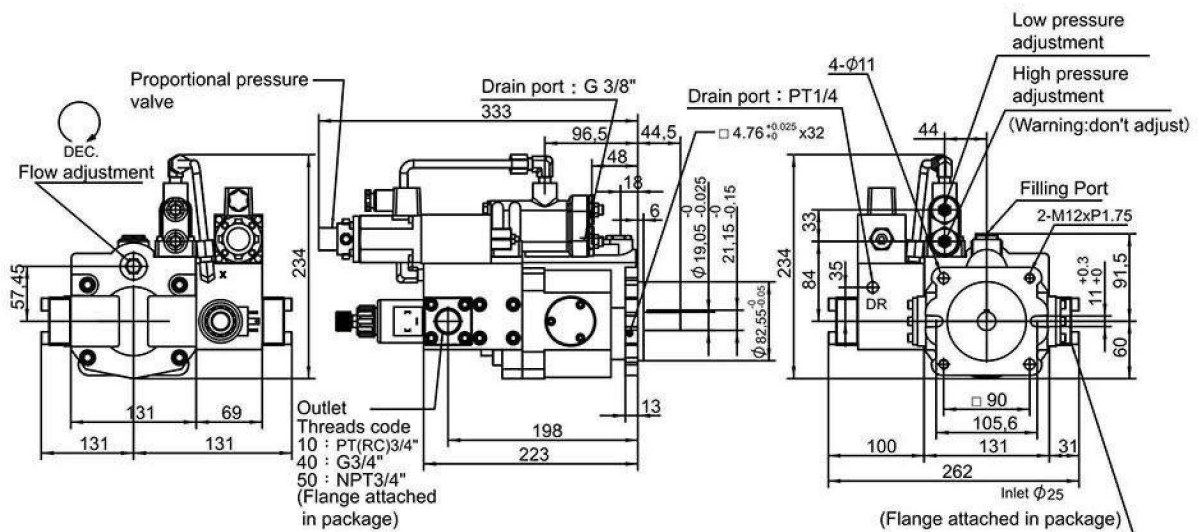
V15GC, V18GC Remote pressure compensator + Electrical unloading + 2-stage pressure control



V15HQ, V18HQ Load-sensing compensator + Proportional flow valve+ Relief valve



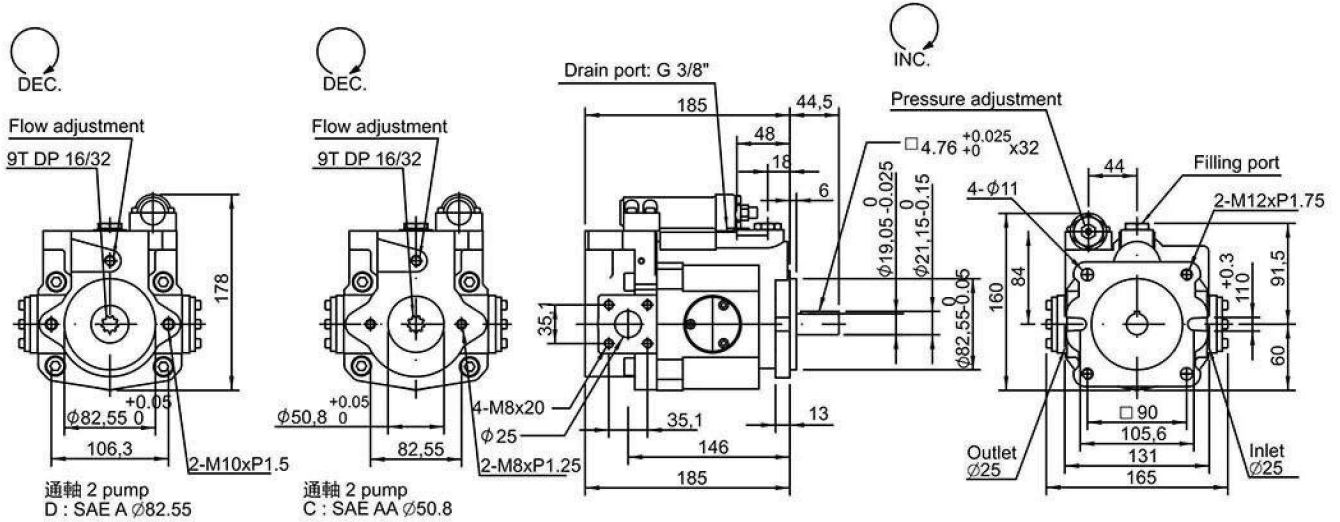
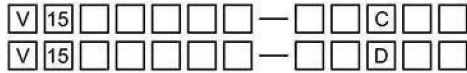
V15HK, V18HK Load-sensing compensator + Proportional pressure valve+ Proportional flow valve



- 規格修改,本公司不另行通知
- Specification is subjected to change without notice.

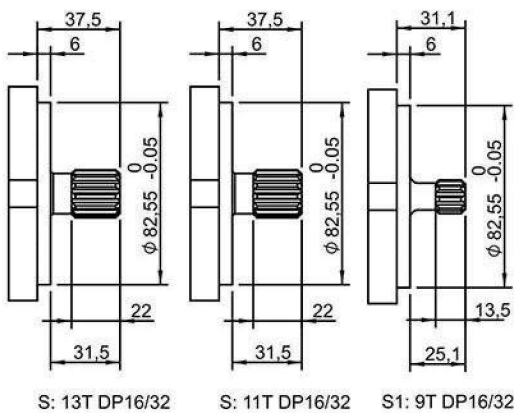
Dimension

V15, V18 Thru drive (SAE AA $\phi 50.8$, code C)
 Thru drive (SAE A $\phi 82.55$, code D)

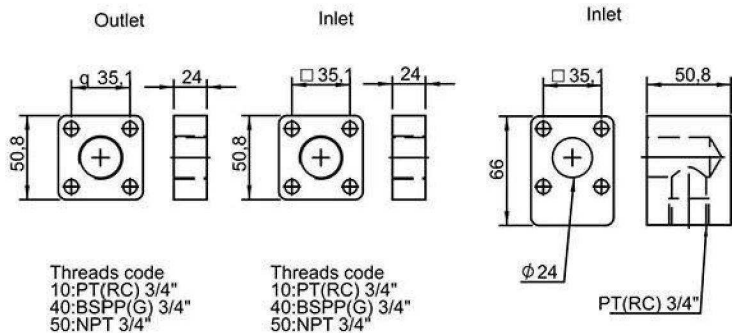


Type	A	B	C	CG	CR	D	DG	E	EG	F	FG	G	GJ	GM	HL	HK	HQ
<input type="radio"/> Thru drive option	<input type="radio"/>	<input type="radio"/>	<input type="radio"/>	<input type="radio"/>	<input type="radio"/>	<input type="radio"/>	<input type="radio"/>	<input type="radio"/>	<input type="radio"/>	<input type="radio"/>	<input type="radio"/>	<input type="radio"/>	<input type="radio"/>	<input type="radio"/>	<input type="radio"/>	<input type="radio"/>	<input type="radio"/>

V15, V18 Splined shaft type

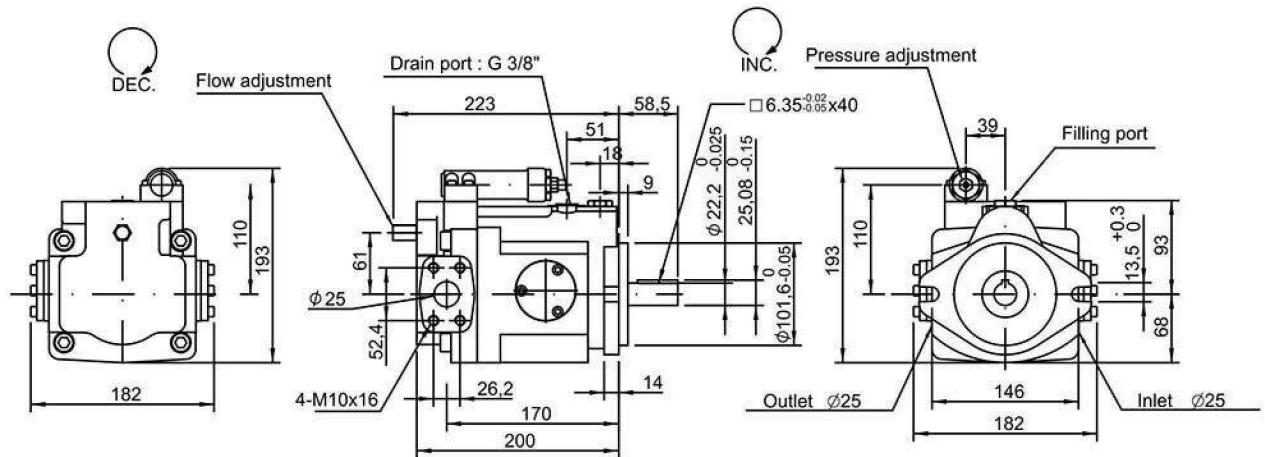


V15, V18 Inlet / Outlet

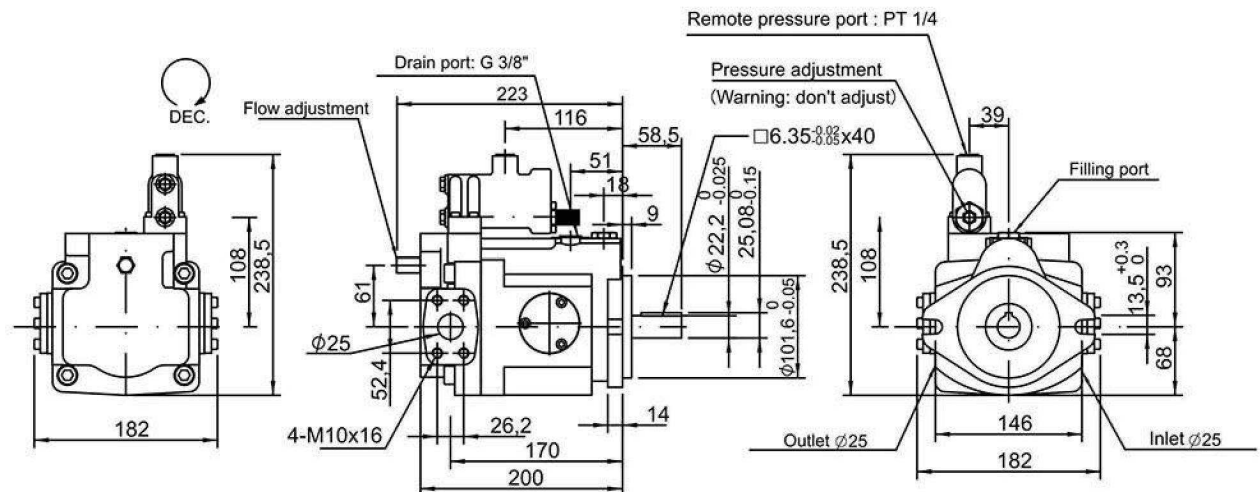


Dimension

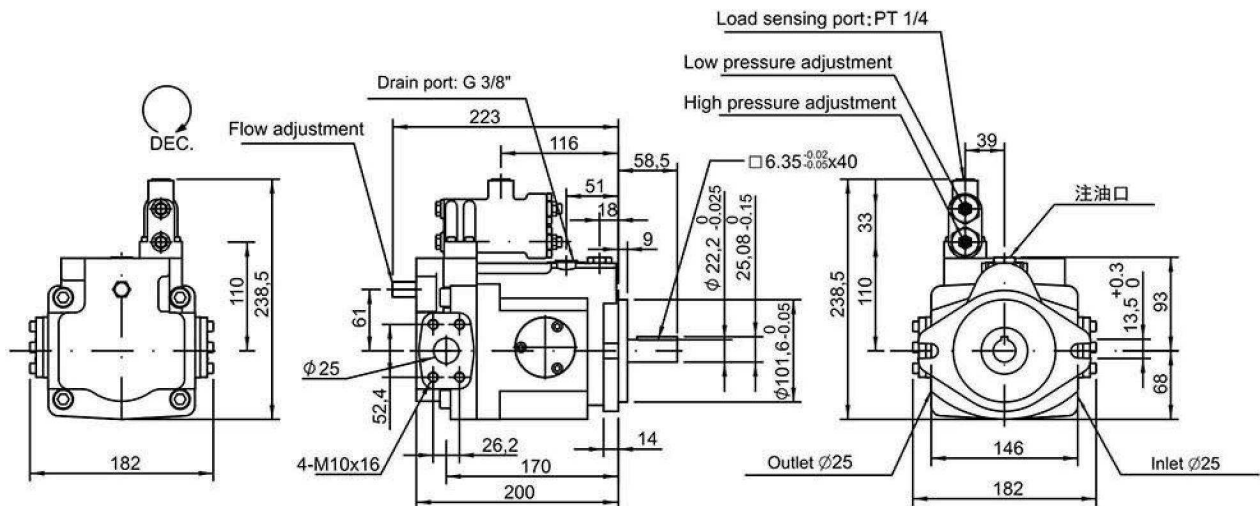
V23A, V25A Standard pressure control



V23G, V25G Remote pressure control

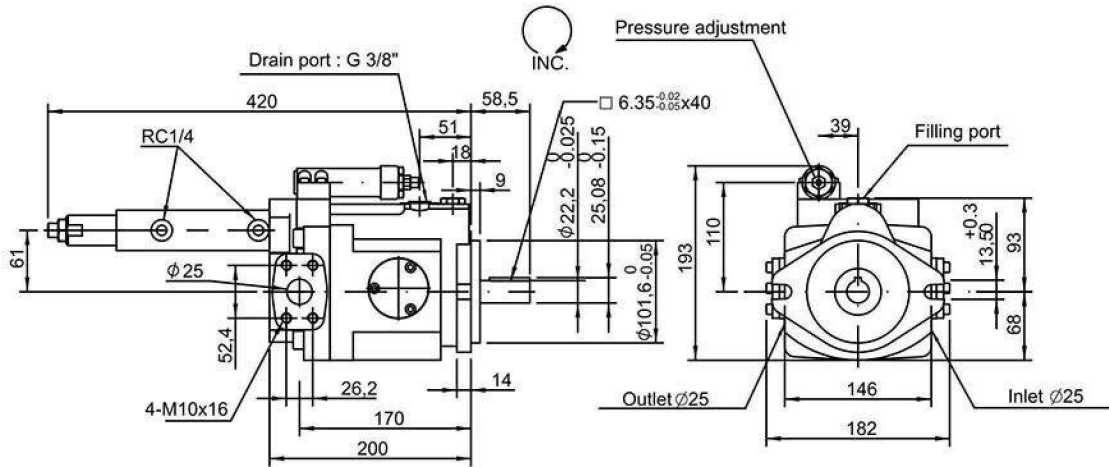


V23HL, V25HL Load-sensing control

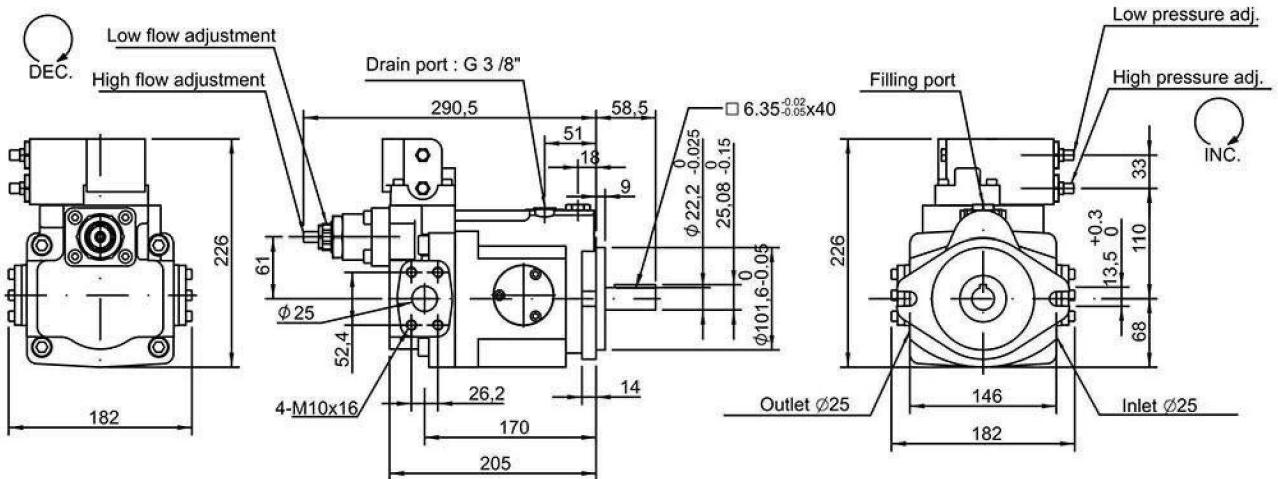


Dimension

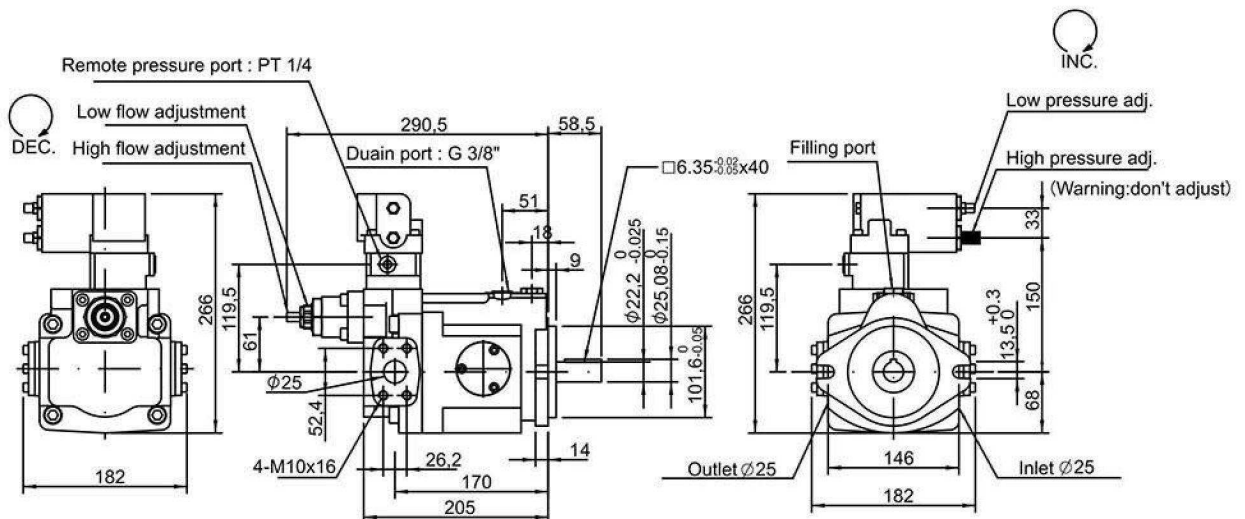
V23B, V25B Multi-stage flow & Single-stage pressure control (with cylinder)



V23C, V25C 2-stage pressure & Flow control



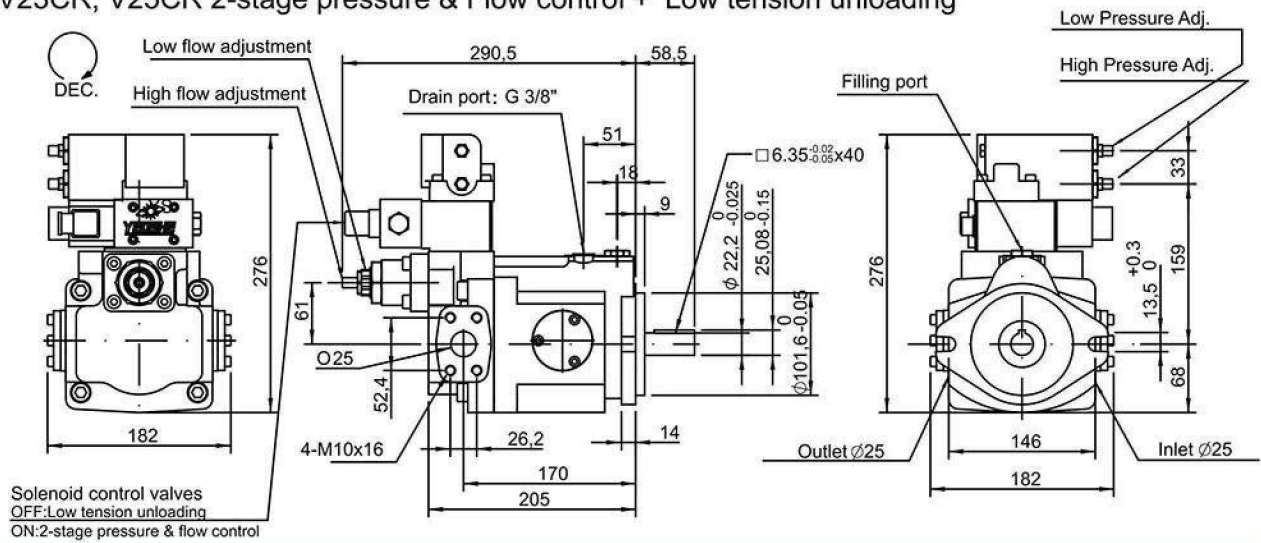
V23CG, V25CG 2-stage pressure & Flow control + Remote



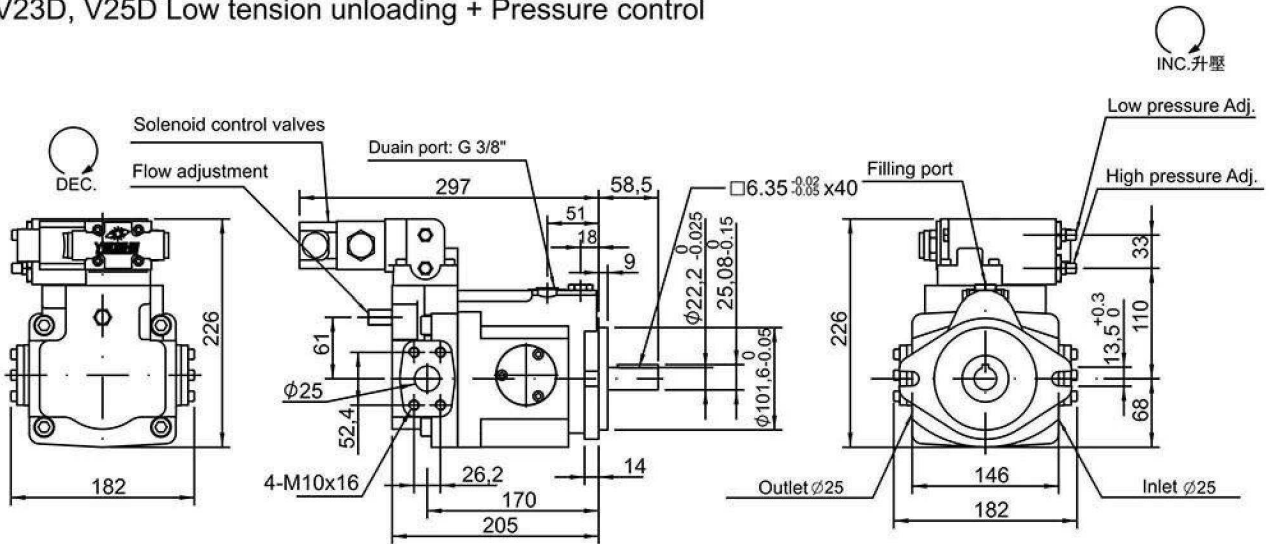
- 規格修改,本公司不另行通知
- Specification is subjected to change without notice.

Dimension

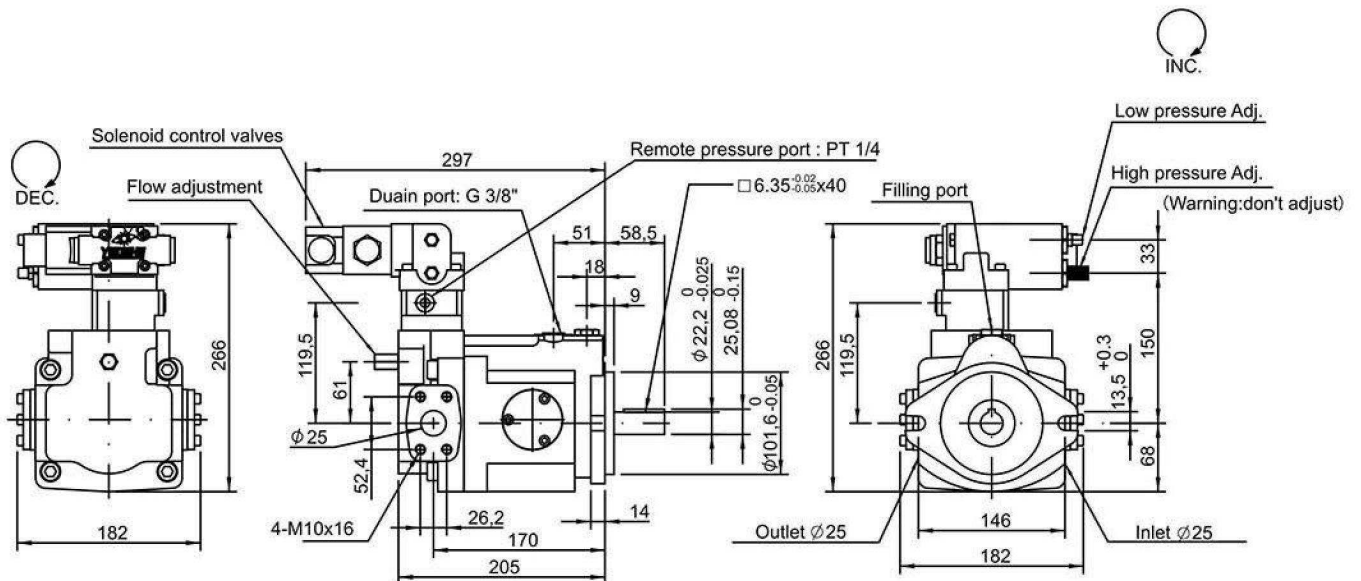
V23CR, V25CR 2-stage pressure & Flow control + Low tension unloading



V23D, V25D Low tension unloading + Pressure control



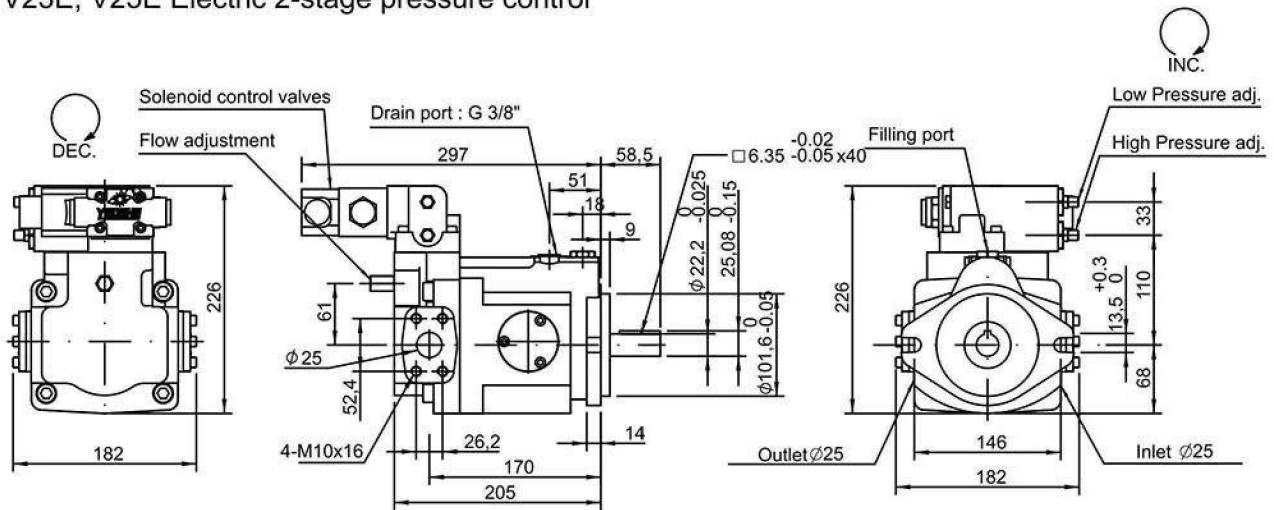
V23DG, V25DG Low tension unloading + Pressure control + Remote



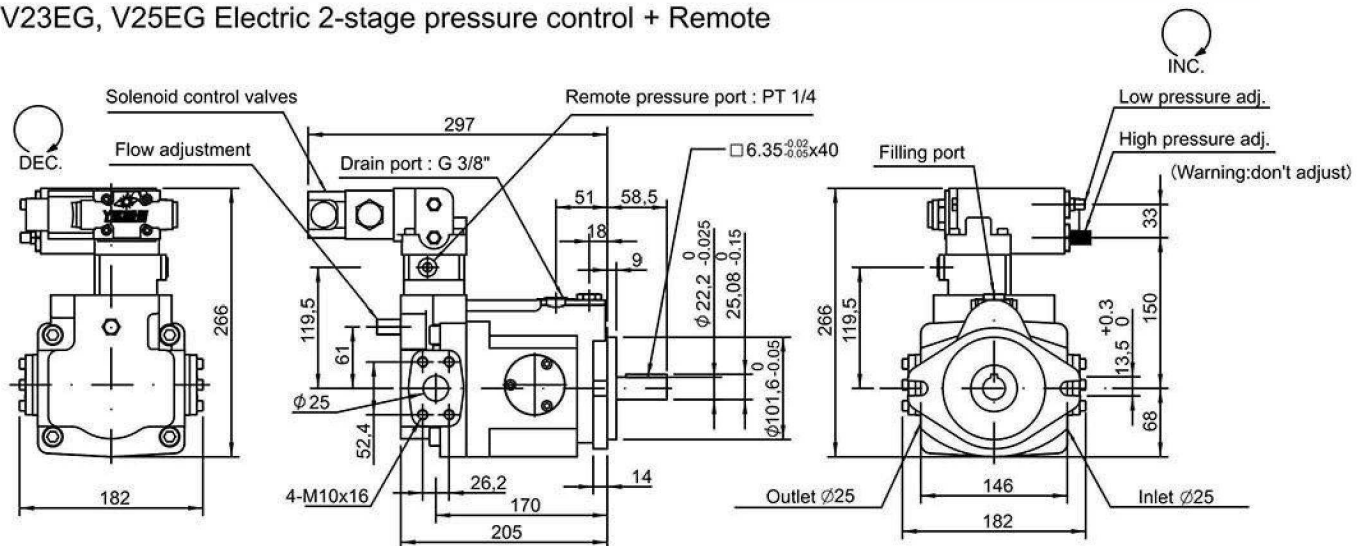
- 規格修改,本公司不另行通知
- Specification is subjected to change without notice.

Dimension

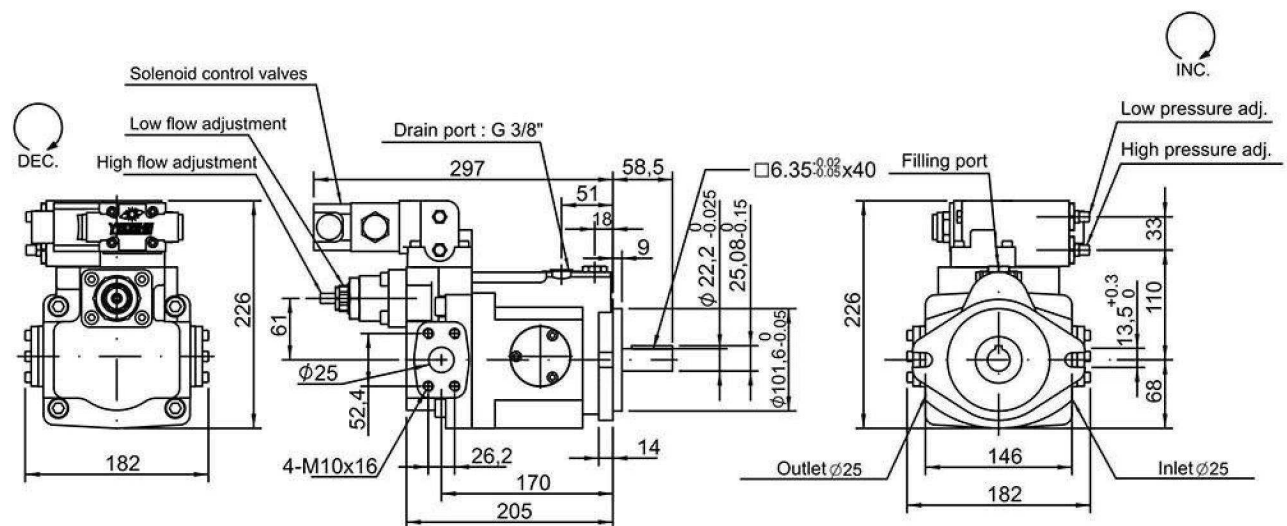
V23E, V25E Electric 2-stage pressure control



V23EG, V25EG Electric 2-stage pressure control + Remote



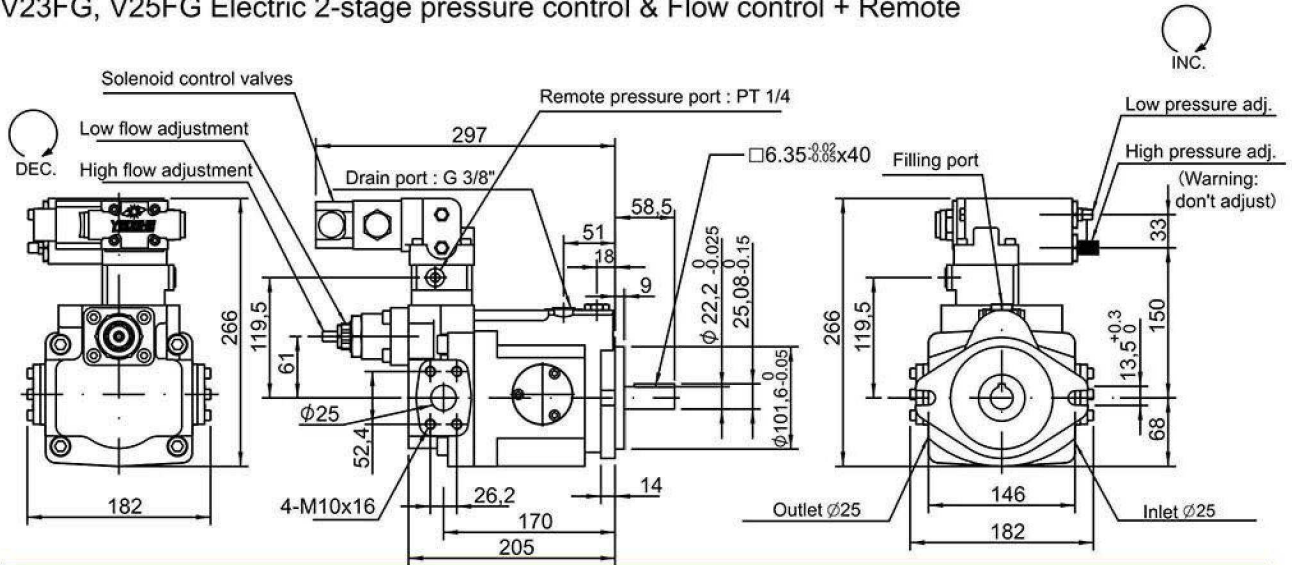
V23F, V25F Electric 2-stage pressure control & Flow control



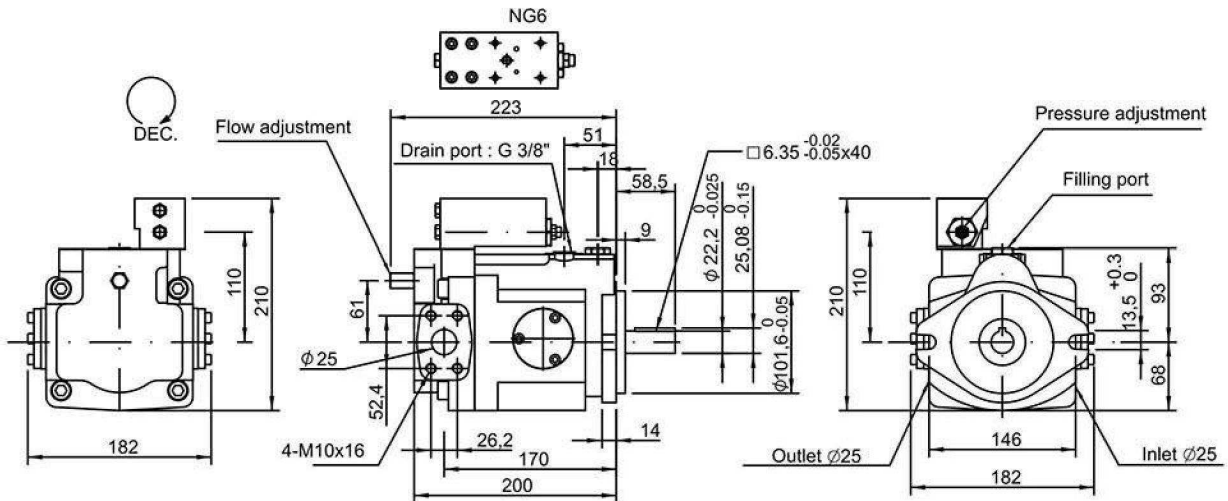
- 規格修改,本公司不另行通知
- Specification is subjected to change without notice.

Dimension

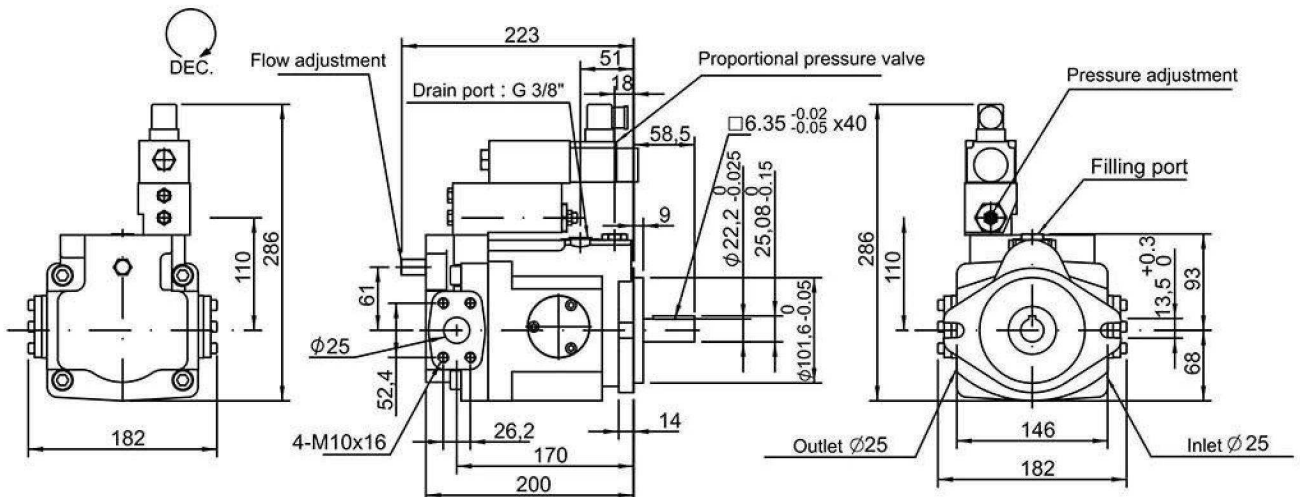
V23FG, V25FG Electric 2-stage pressure control & Flow control + Remote



V23GM, V25GM Remote pressure compensator with NG6 interface



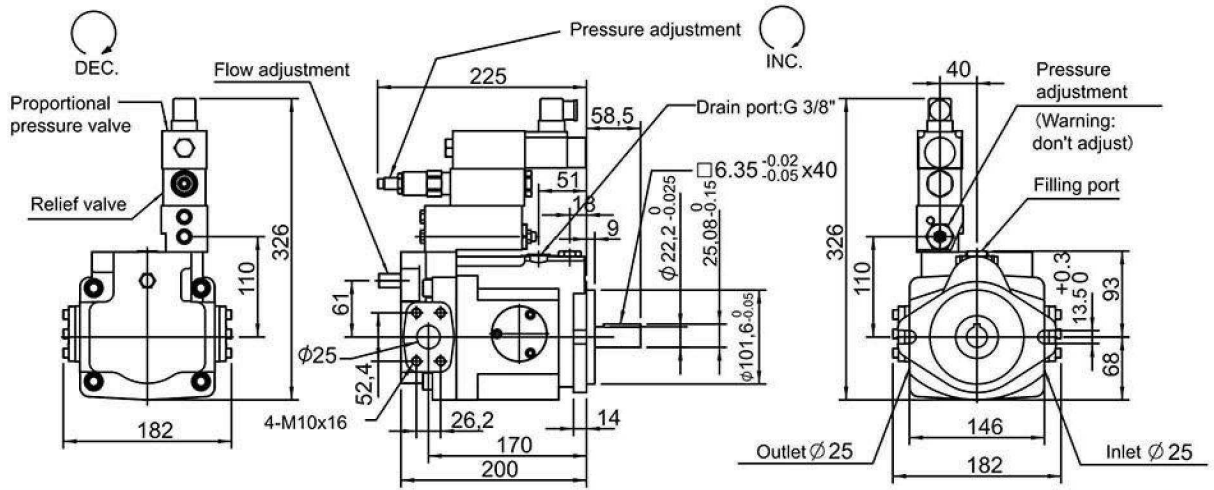
V23GJ, V25GJ Remote pressure compensator + Proportional pressure valve



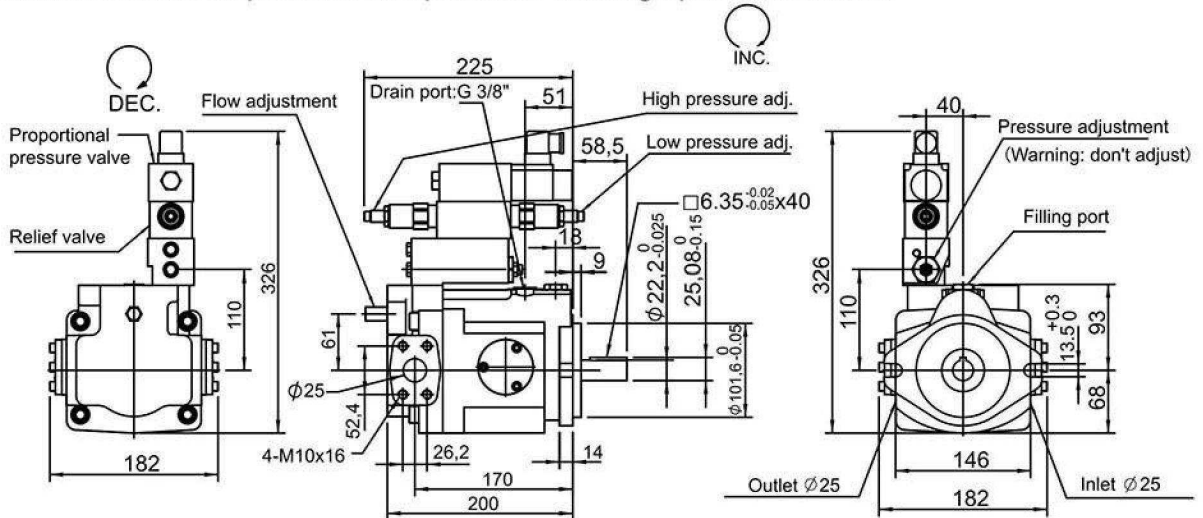
- 規格修改, 本公司不另行通知
- Specification is subjected to change without notice.

Dimension

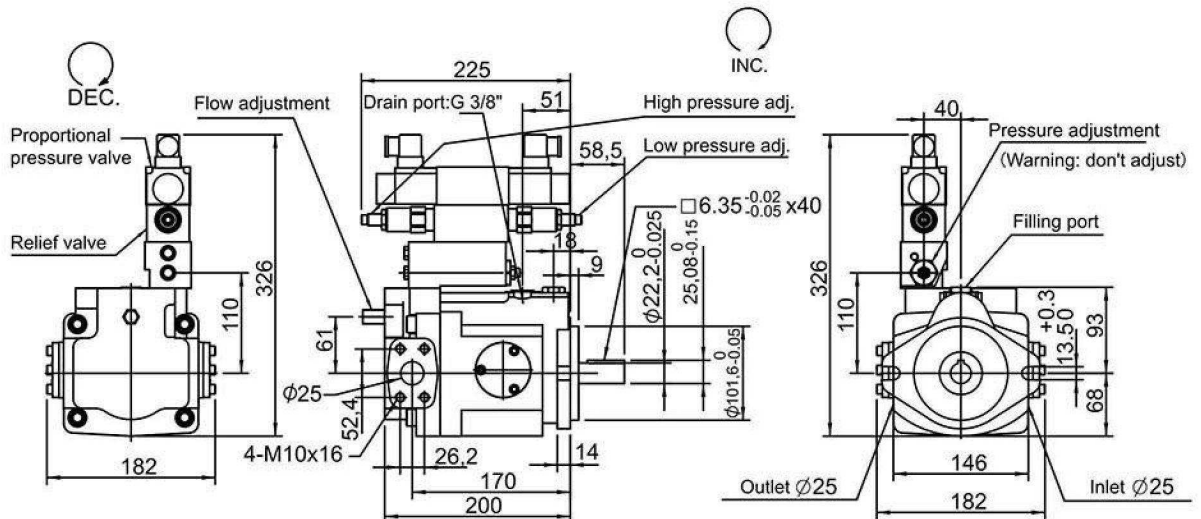
V23GR, V25GR Remote pressure compensator + Electrical unloading



V23GB, V25GB Remote pressure compensator + 2-stage pressure control

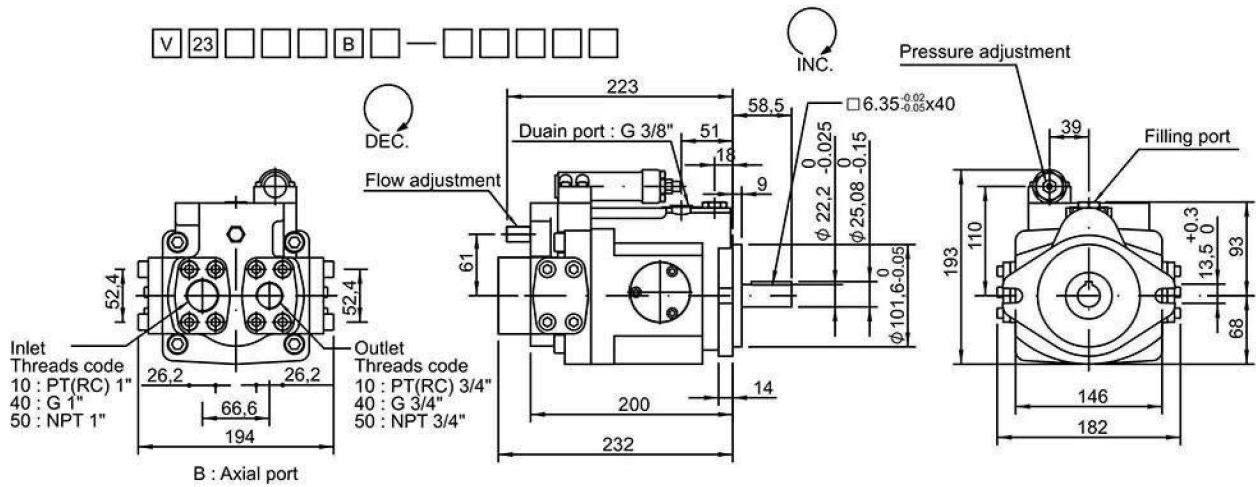


V23GC, V25GC Remote pressure compensator + Electrical unloading + 2-stage pressure control

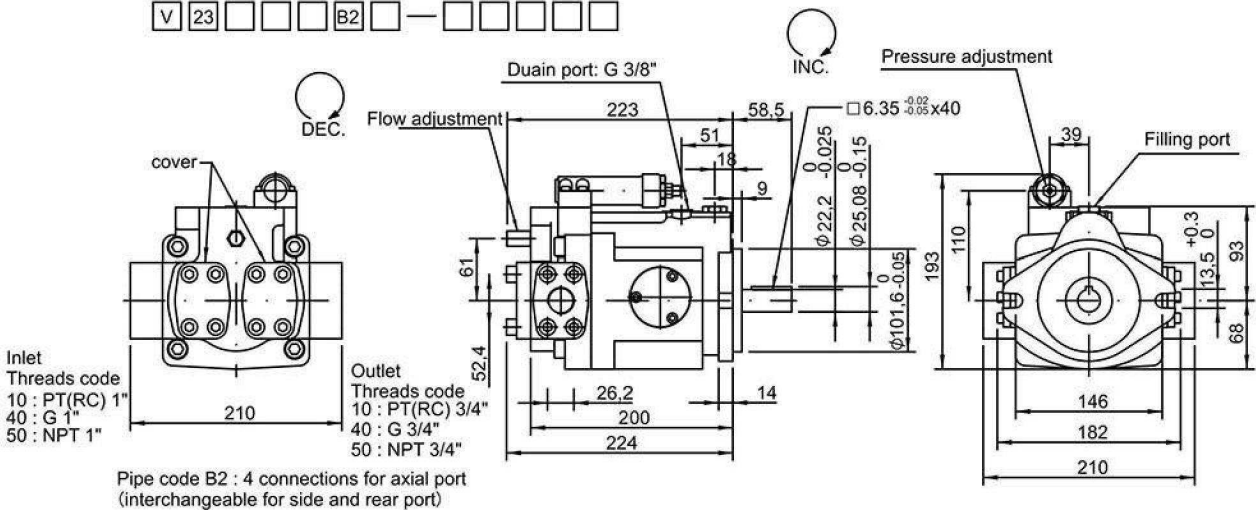


Dimension

V23, V25 Rear port (Please flowing order code no.6,add“B”)

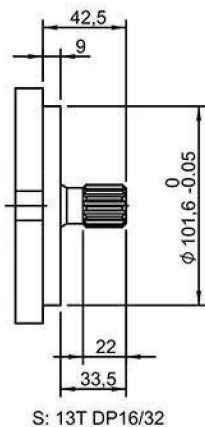


V23, V25 4 Connections for rear port (Please flowing order code no.6,add“B2”)

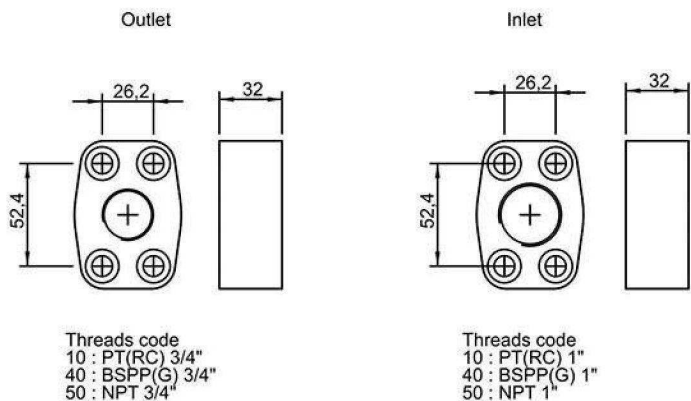


Type	A	B	C	CG	D	DG	E	EG	F	FG	G	GJ	GM	HL	HK	HQ
○ Axial port option	○	○									○	○	○	○		

V23, V25 Splined shaft type

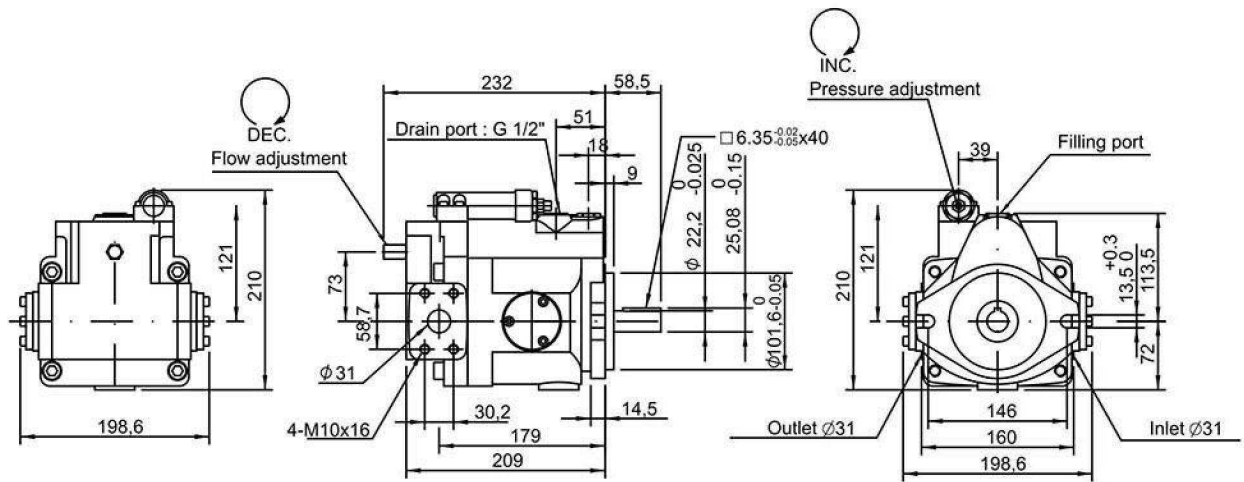


V23, V25 Inlet / Outlet

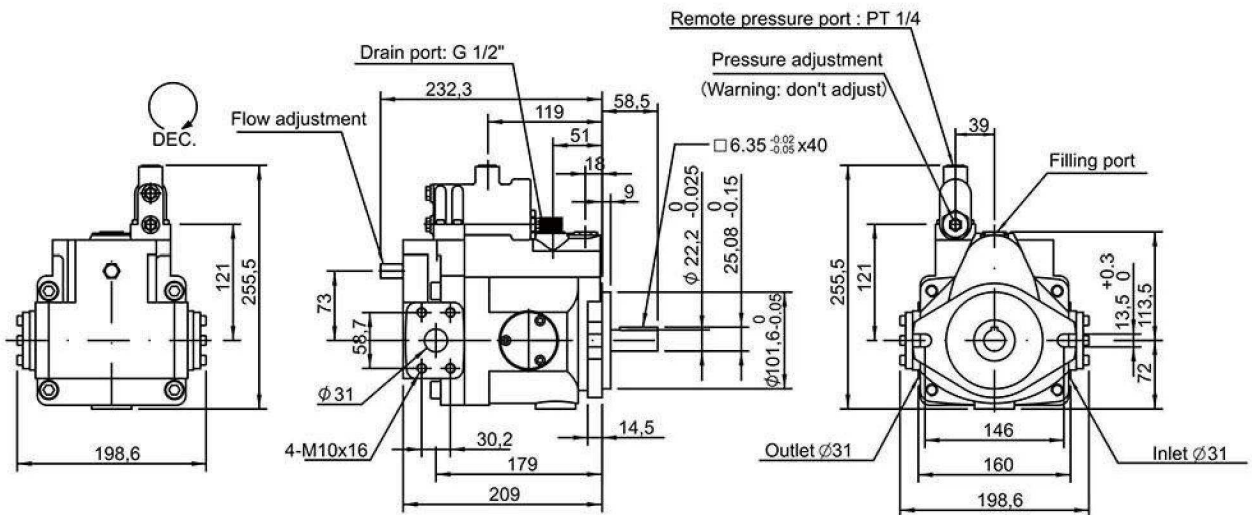


Dimension

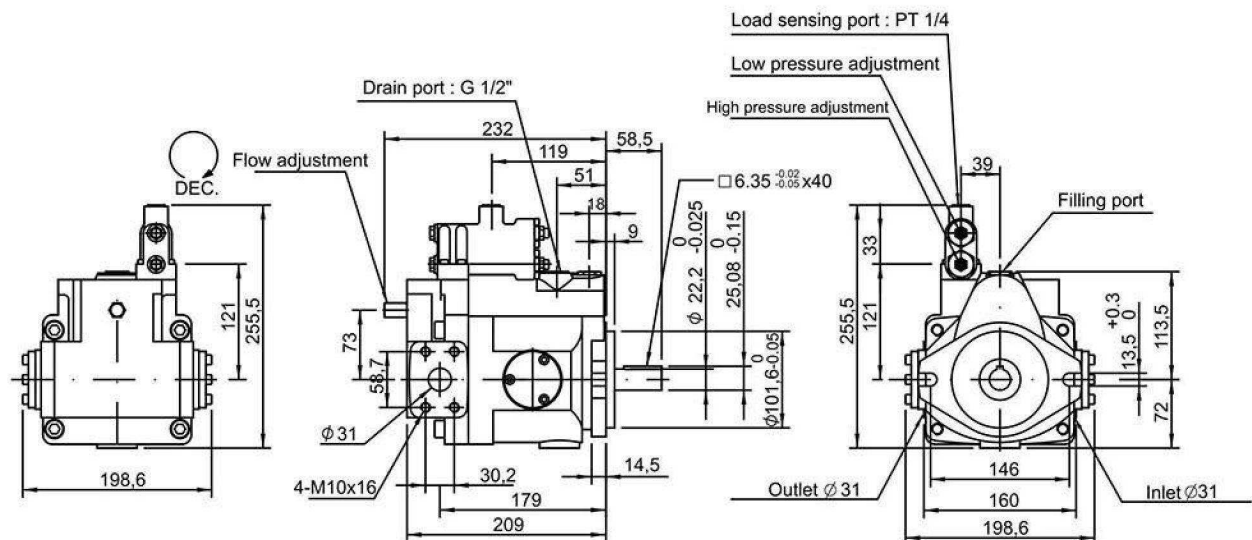
V38A, V42A Standard pressure control



V38G, V42G Remote pressure control



V38HL, V42HL Load-sensing control

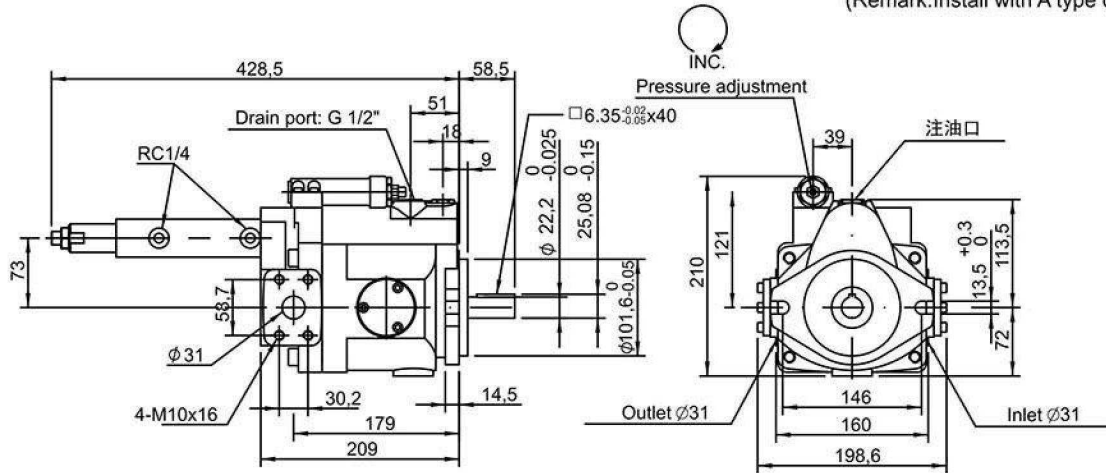


- 規格修改, 本公司不另行通知
- Specification is subjected to change without notice.

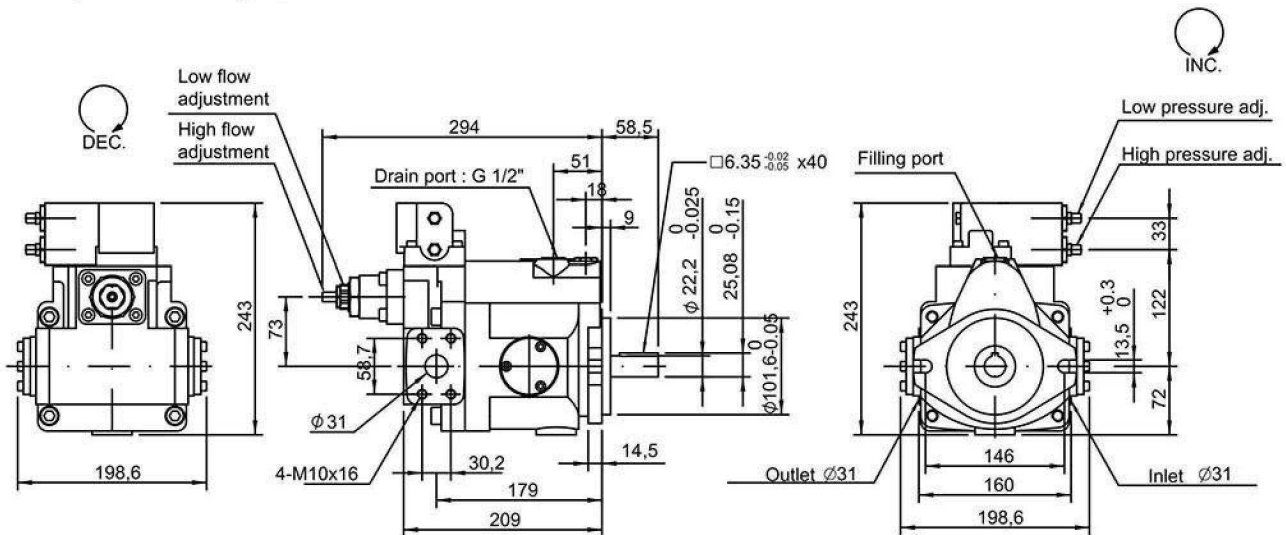
Dimension

V38B, V42B Multi-stage flow & Single-stage pressure control (with cylinder)

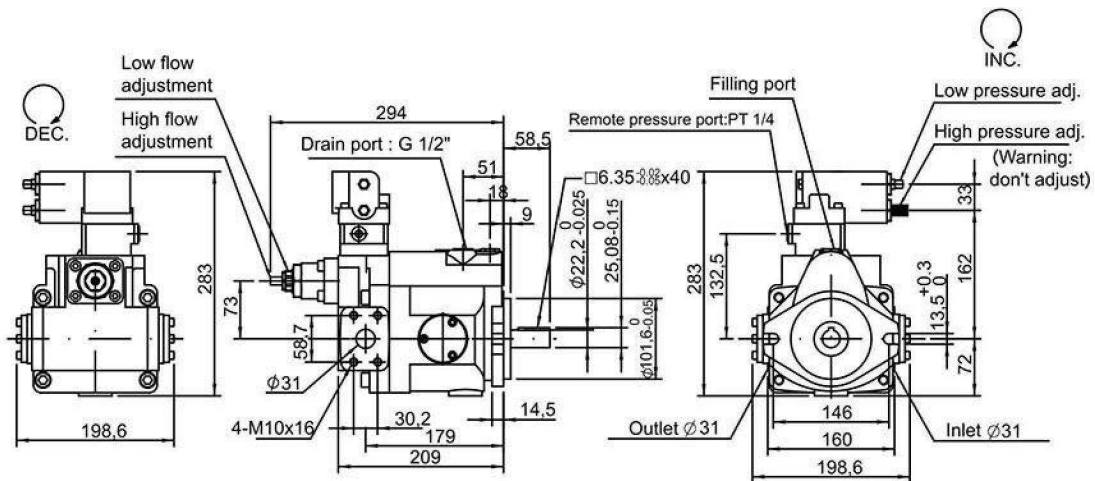
(Remark: Install with A type control)



V38C, V42C 2-stage pressure & Flow control



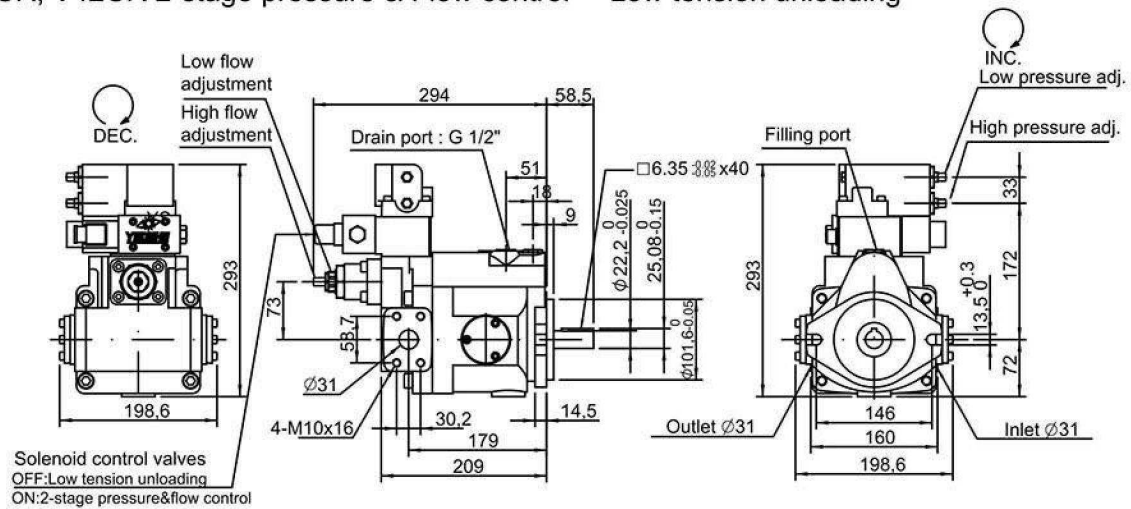
V38CG, V42CG 2-stage pressure & Flow control + Remote



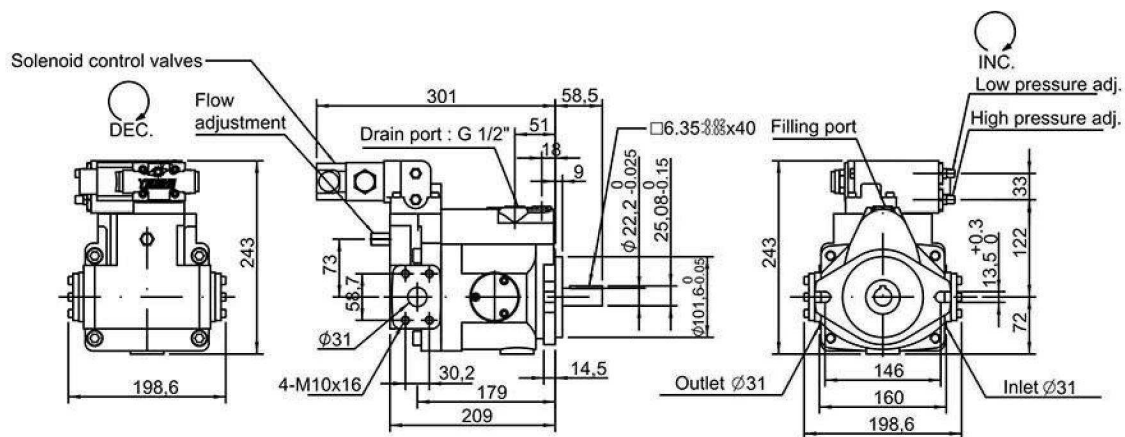
- 規格修改,本公司不另行通知
- Specification is subjected to change without notice.

Dimension

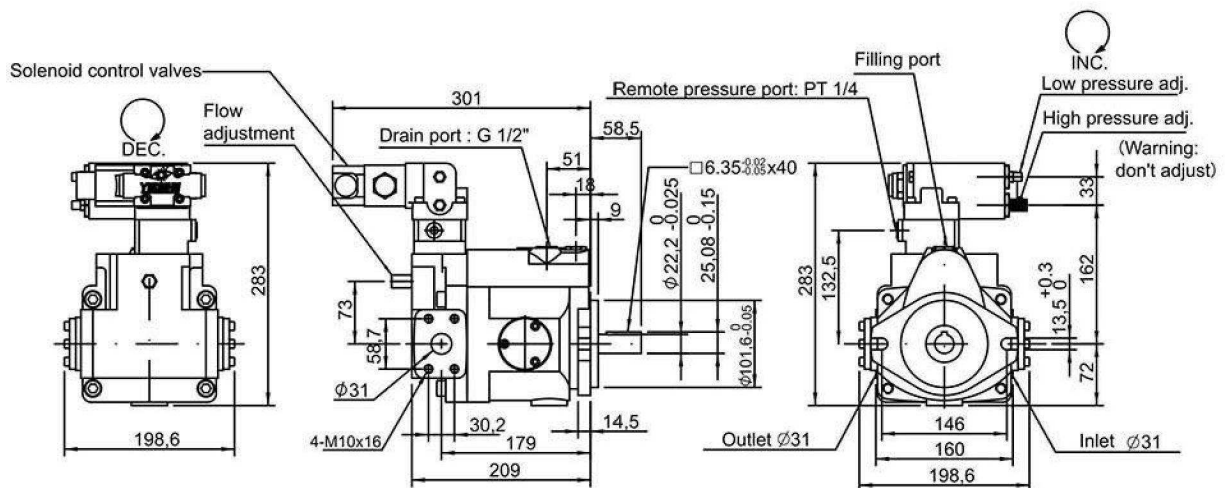
V38CR, V42CR 2-stage pressure & Flow control + Low tension unloading



V38D, V42D Low tension unloading + Pressure control



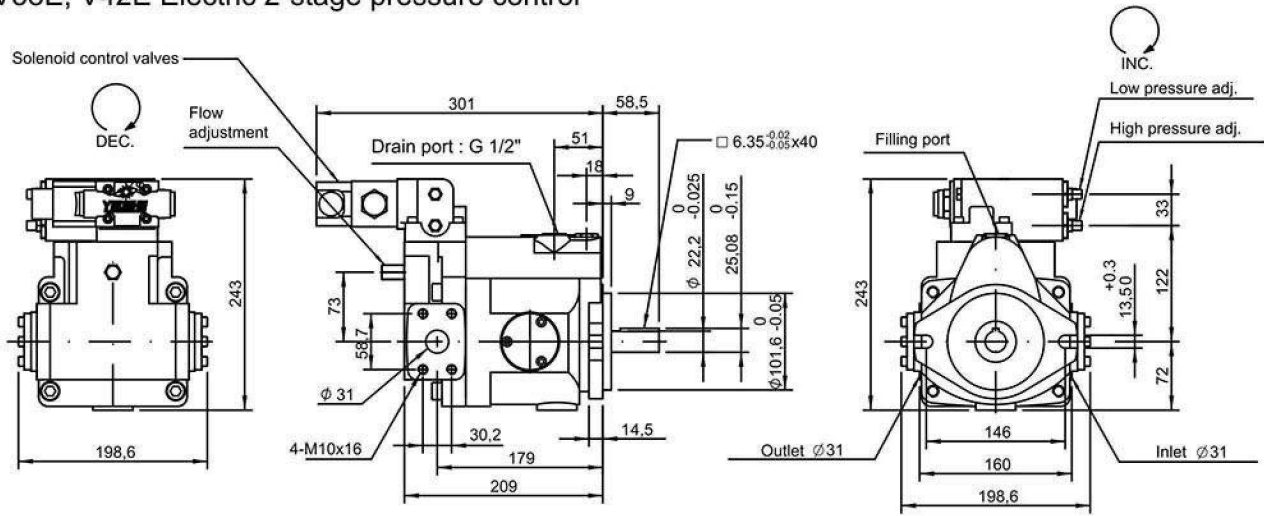
V38DG, V42DG Low tension unloading + Pressure control + Remote



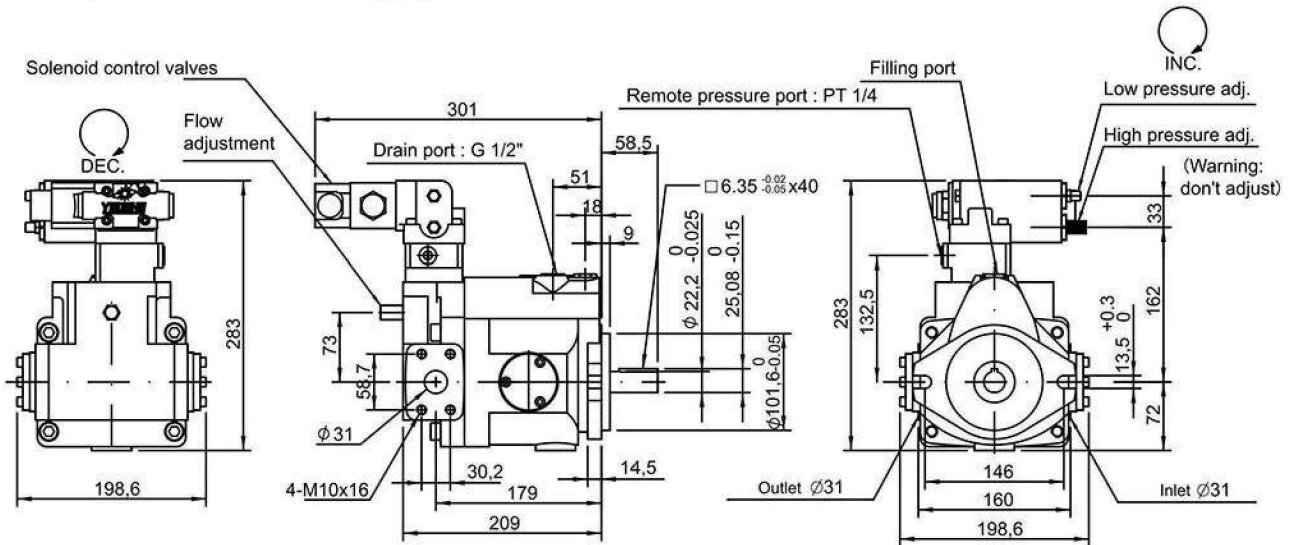
- 規格修改, 本公司不另行通知
- Specification is subjected to change without notice.

Dimension

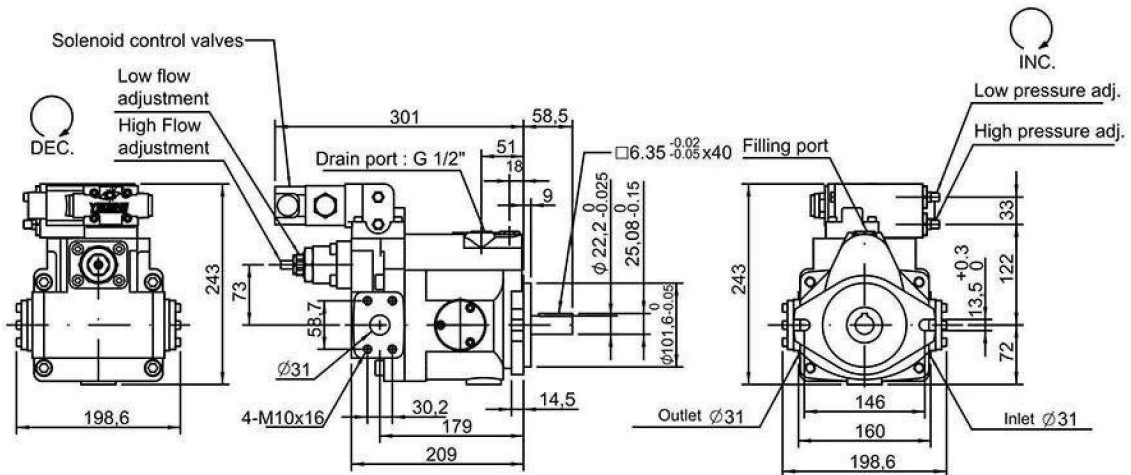
V38E, V42E Electric 2-stage pressure control



V38EG, V42EG Electric 2-stage pressure control + Remote

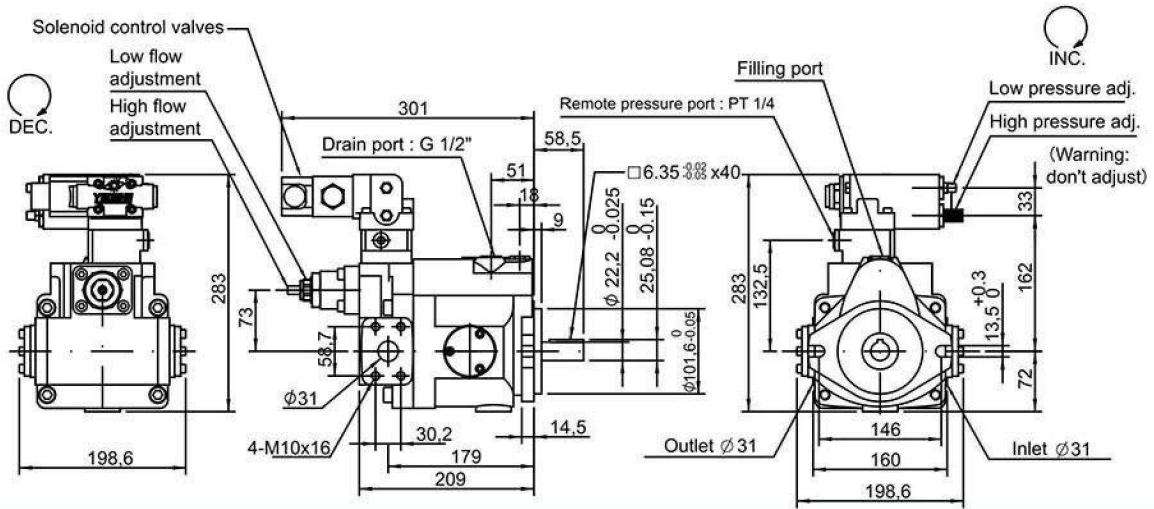


V38F, V42F Electric 2-stage pressure control & Flow control

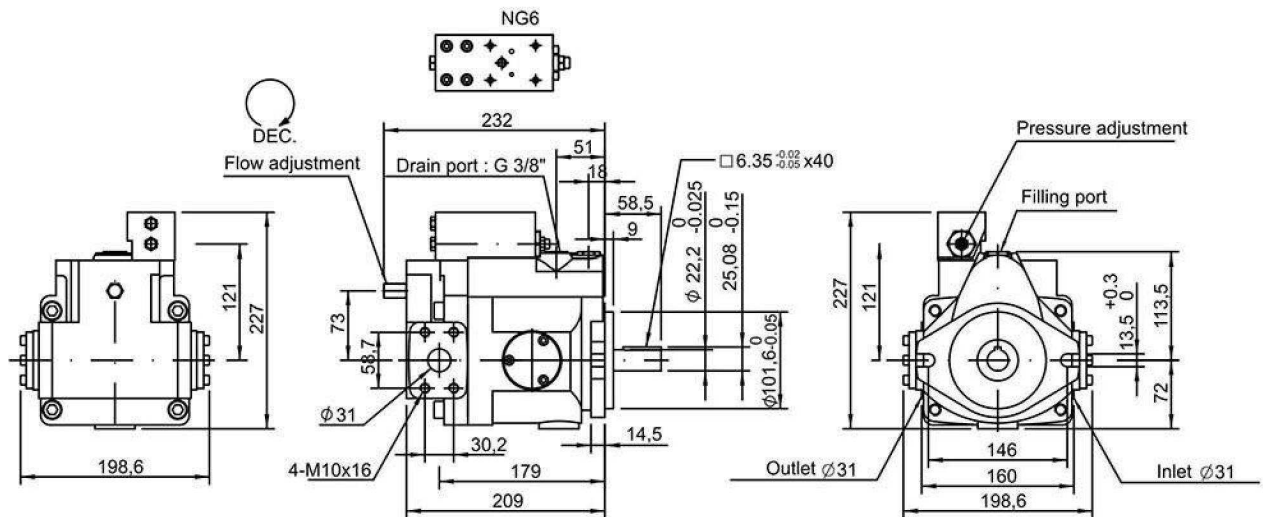


Dimension

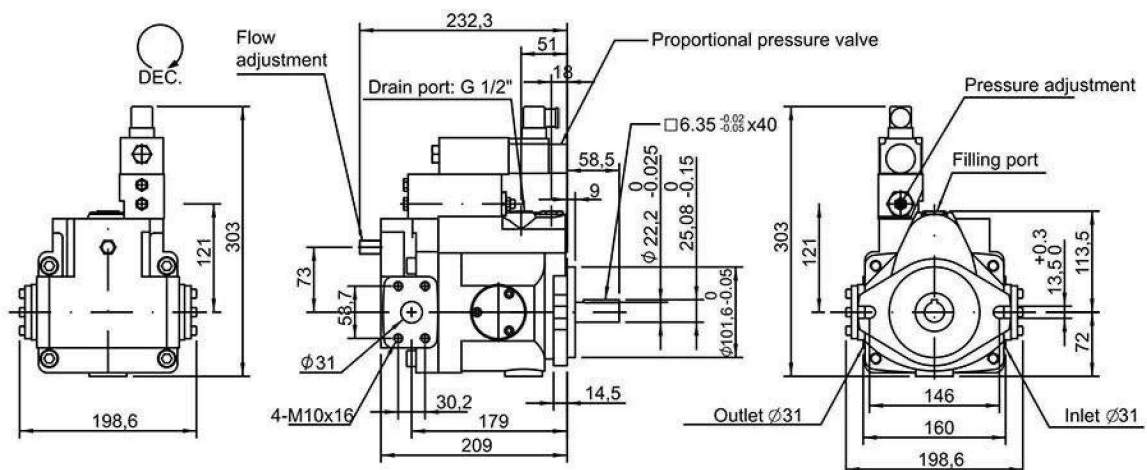
V38FG, V42FG Electric 2-stage pressure control & Flow control + Remote



V38GM, V42GM Remote pressure compensator with NG6 interface



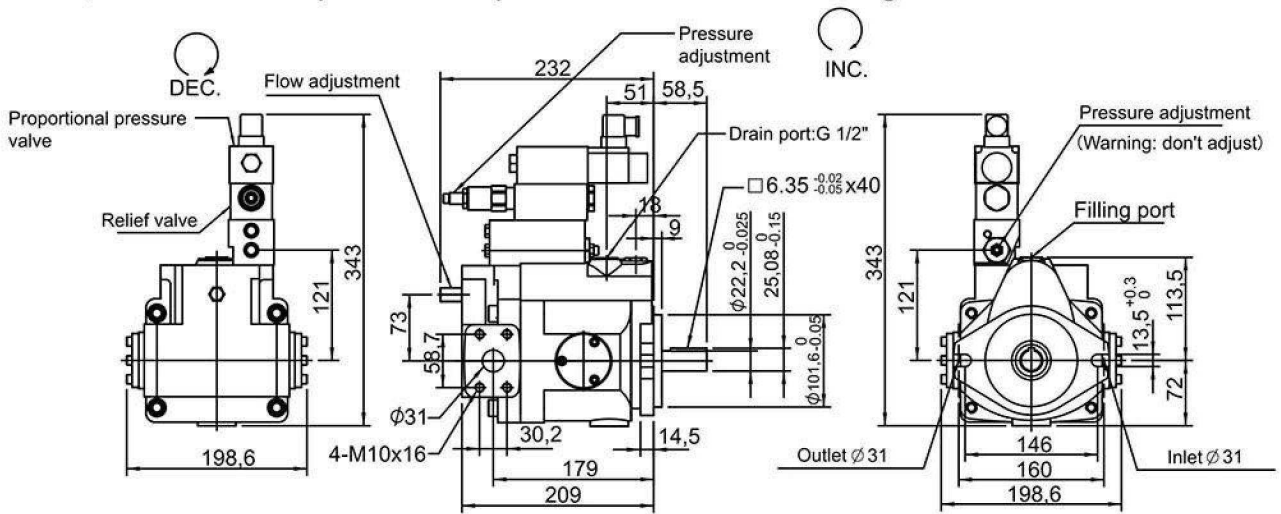
V38GJ, V42GJ Remote pressure compensator + Proportional pressure valve



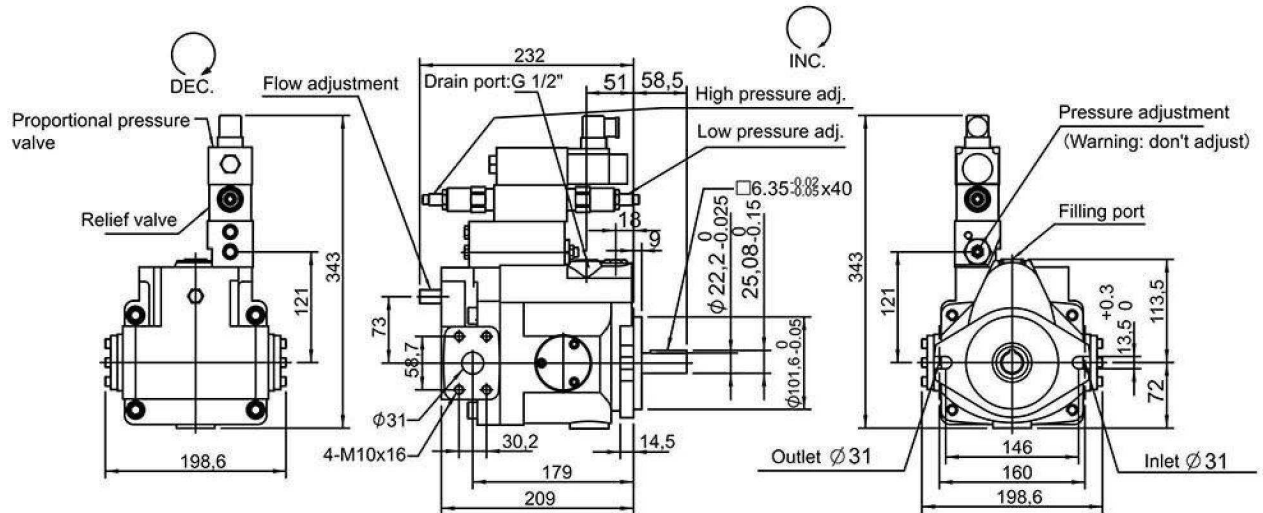
- 規格修改, 本公司不另行通知
- Specification is subjected to change without notice.

Dimension

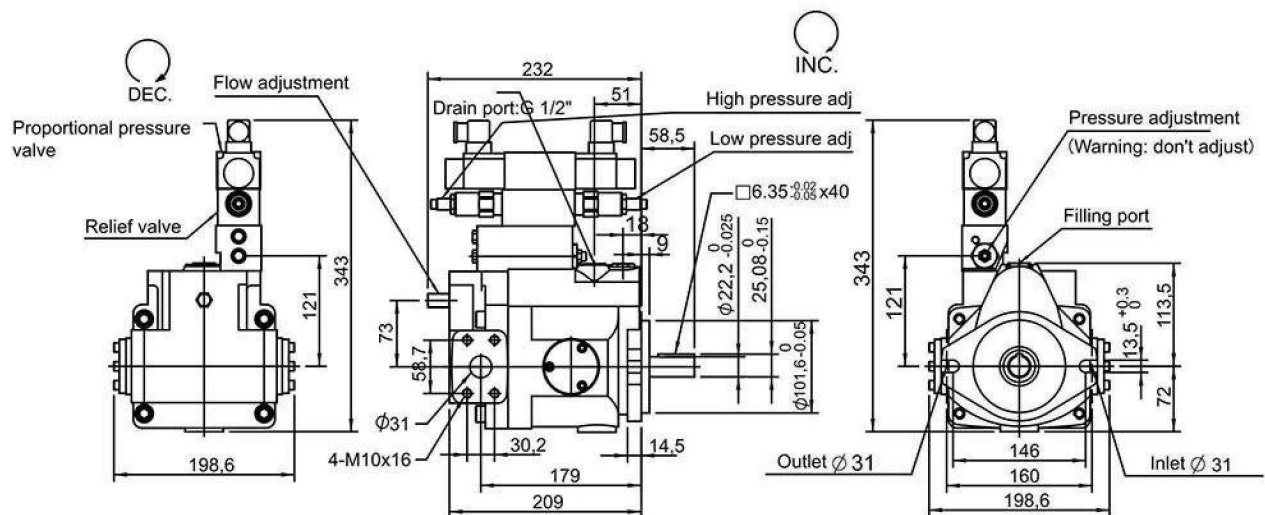
V38GR, V42GR Remote pressure compensator + Electrical unloading



V38GB, V42GB Remote pressure compensator + 2-stage pressure control



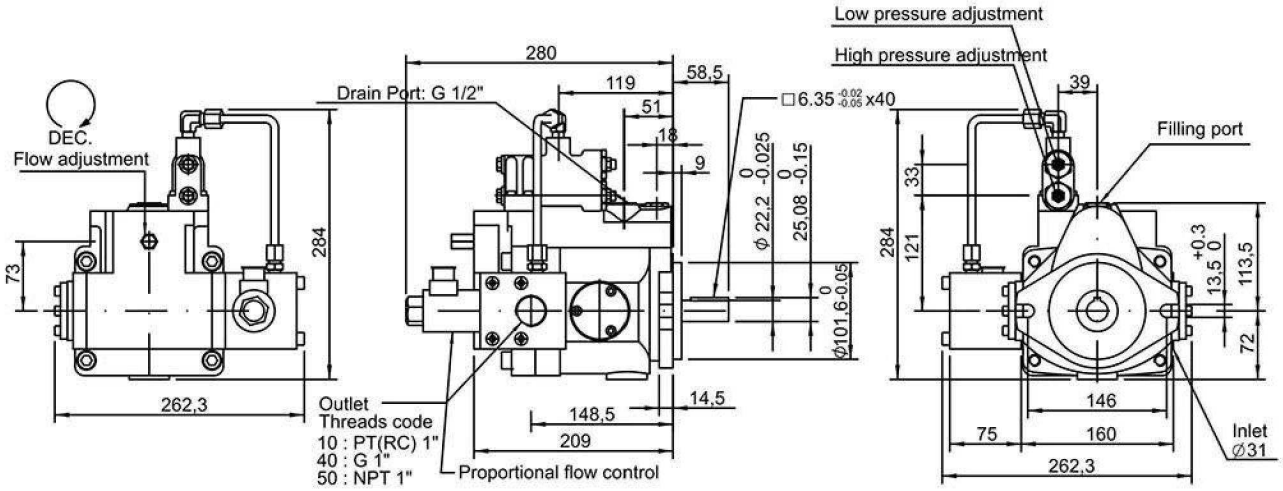
V38GC, V42GC Remote pressure compensator + Electrical unloading + 2-stage pressure control



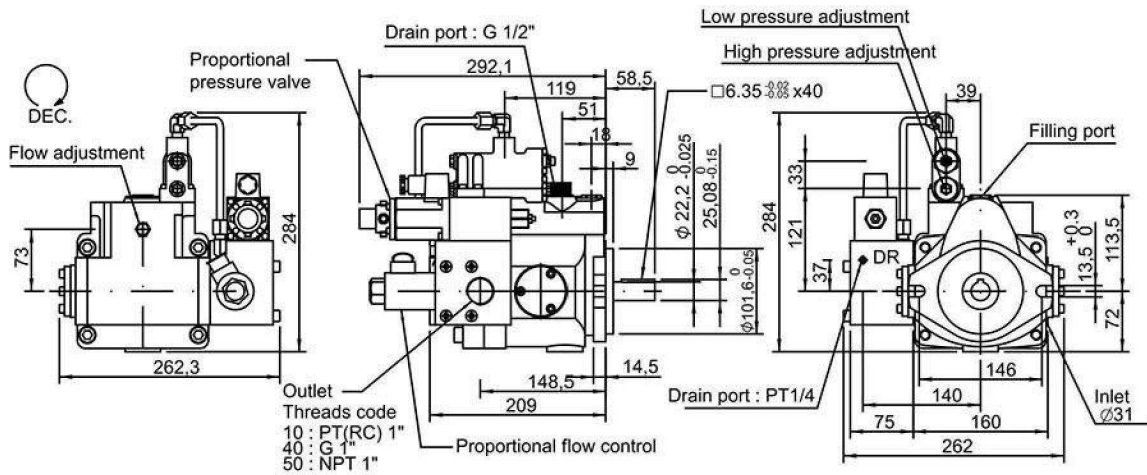
- 規格修改,本公司不另行通知
- Specification is subjected to change without notice.

Dimension

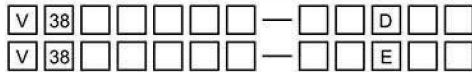
V38HQ, V42HQ Load-sensing compensator + Proportional flow valve + Relief valve



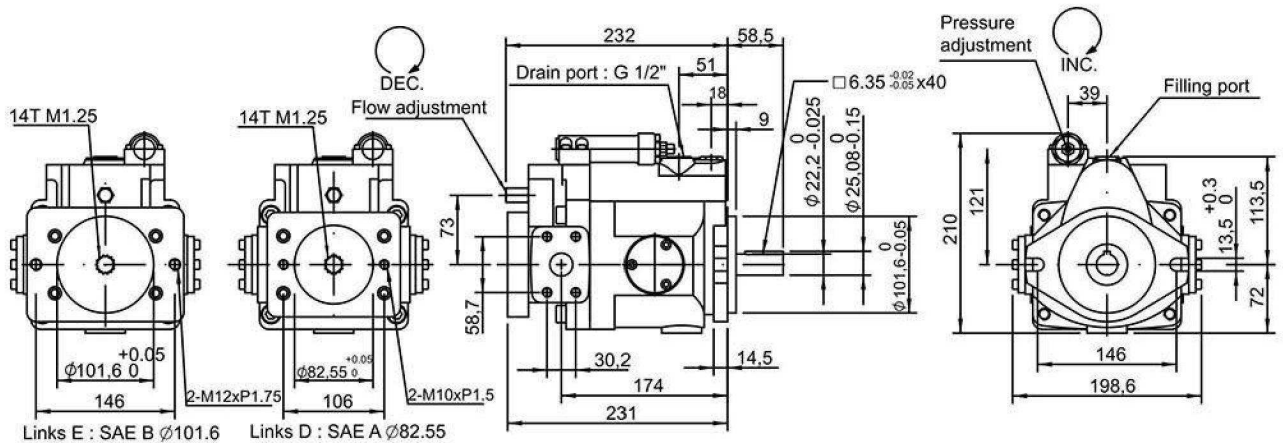
V38HK, V42HK Load-sensing compensator + Proportional pressure valve + Proportional flow valve



V38, V42 Thru drive (SAE A $\phi 82.55$, code D) Thru drive (SAE B $\phi 101.6$, code E)



Type	A	B	C	CG	CR	D	DG	E	EG	F	FG	G	GJ	GM	HL	HK	HQ
○ Thru drive option	○	○	○	○	○	○	○	○	○	○	○	○	○	○	○	○	○

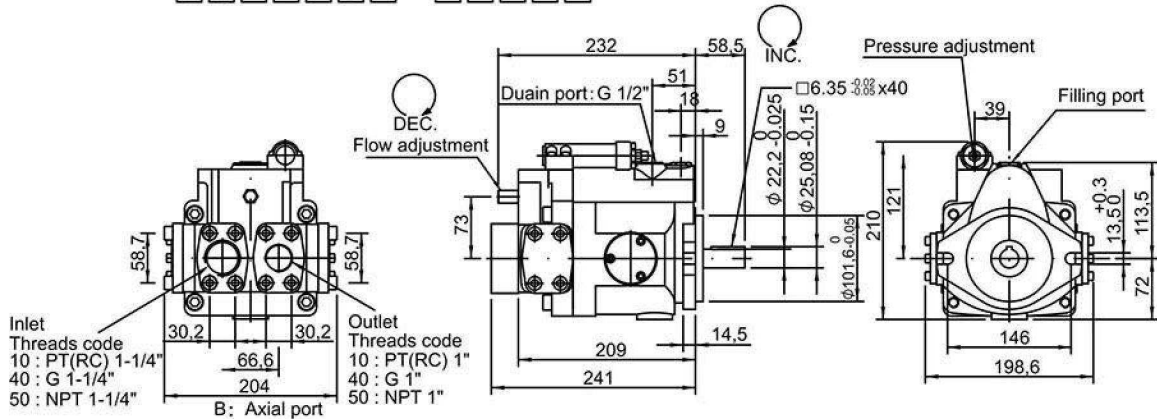


- 規格修改,本公司不另行通知
- Specification is subjected to change without notice.

Dimension

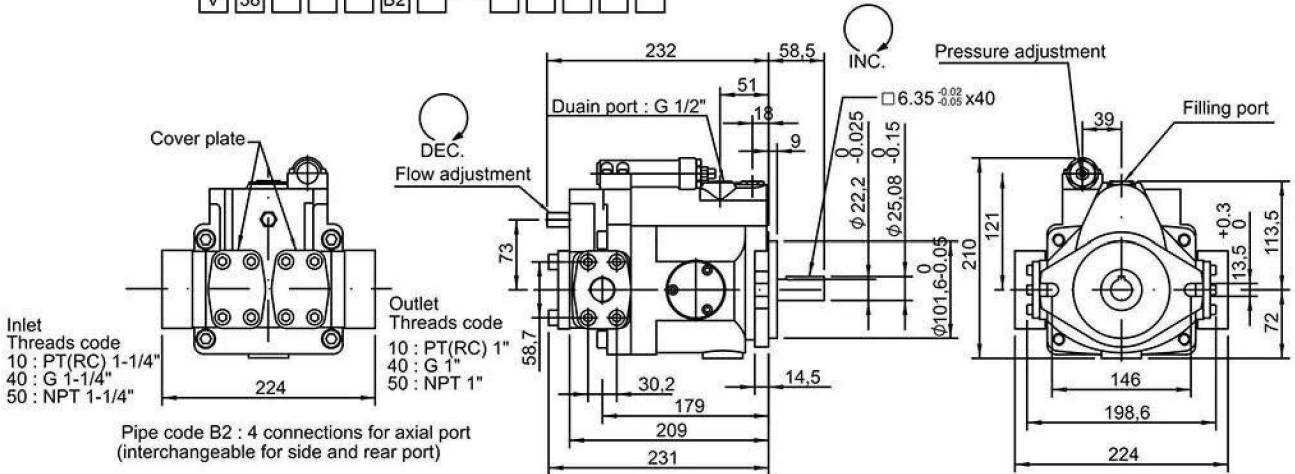
V38, V42 Rear port (Please following order code no.6,add"B")

V 38 □ □ □ □ B □ — □ □ □ □ □ □



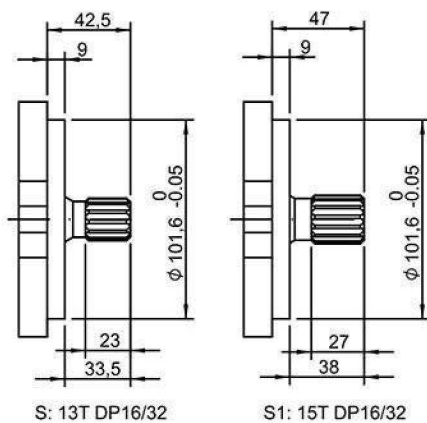
V38, V42 4 connections for rear port (Please following order code no.6,add"B2")

V 38 □ □ □ □ B2 □ — □ □ □ □ □ □

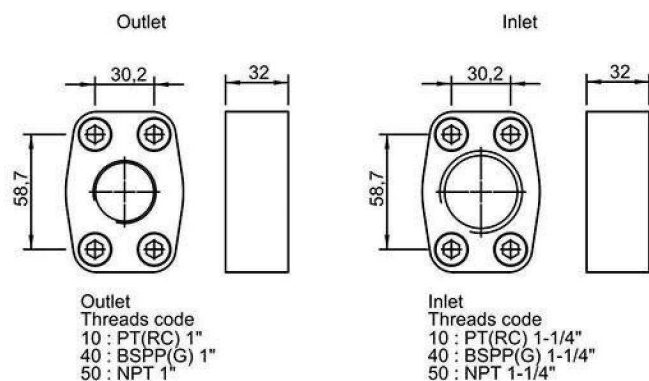


Type	A	B	C	CG	D	DG	E	EG	F	FG	G	GJ	GM	HL	HK	HQ
○ Axial port option	○	○	○	○					○	○	○	○	○	○		

V38, V42 Splined shaft type

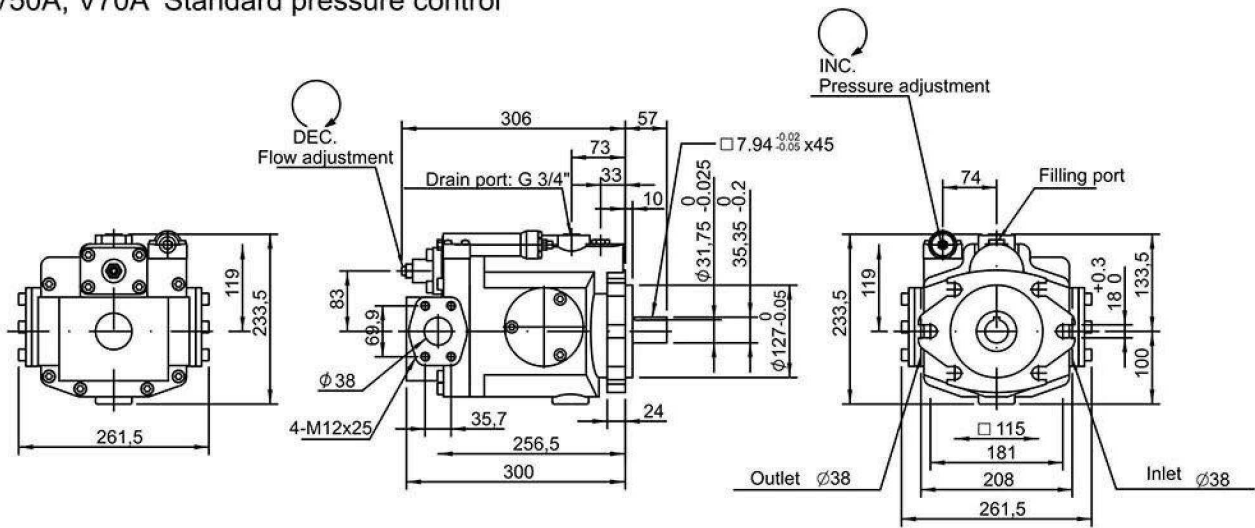


V38, V42 Inlet / Outlet

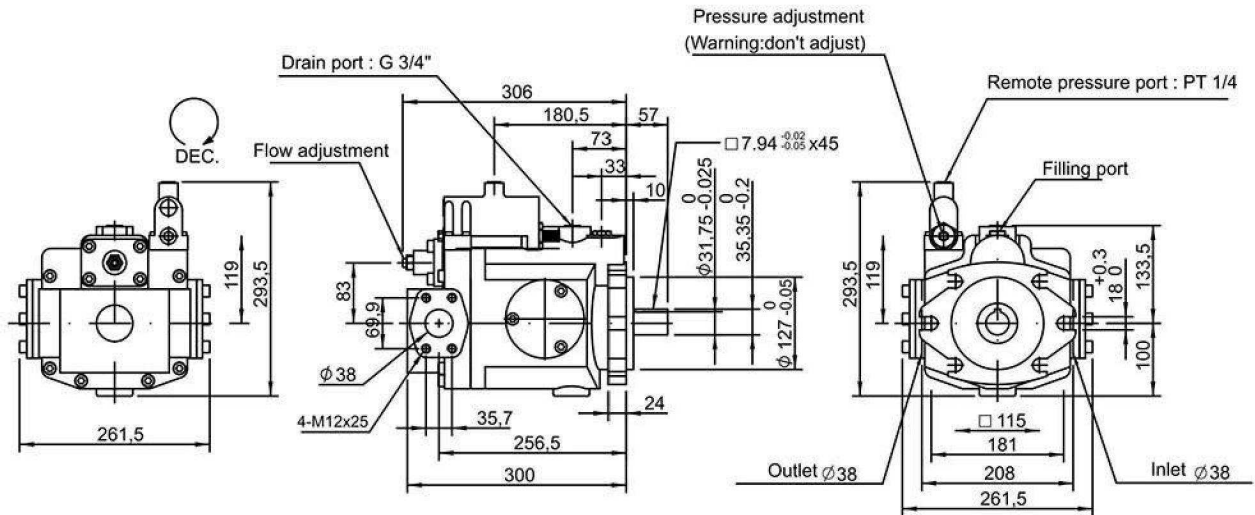


Dimension

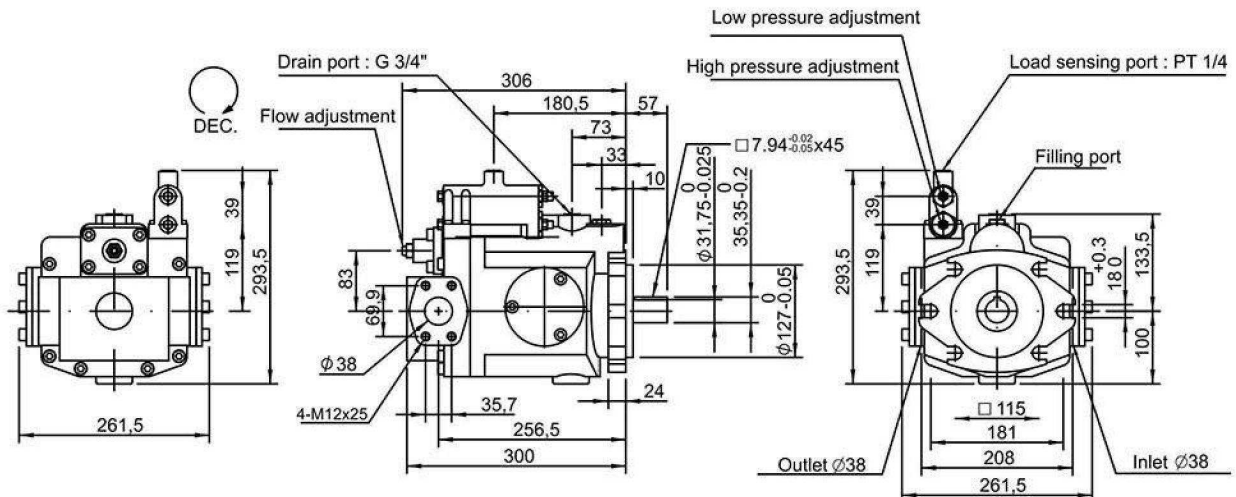
V50A, V70A Standard pressure control



V50G, V70G Remote pressure control



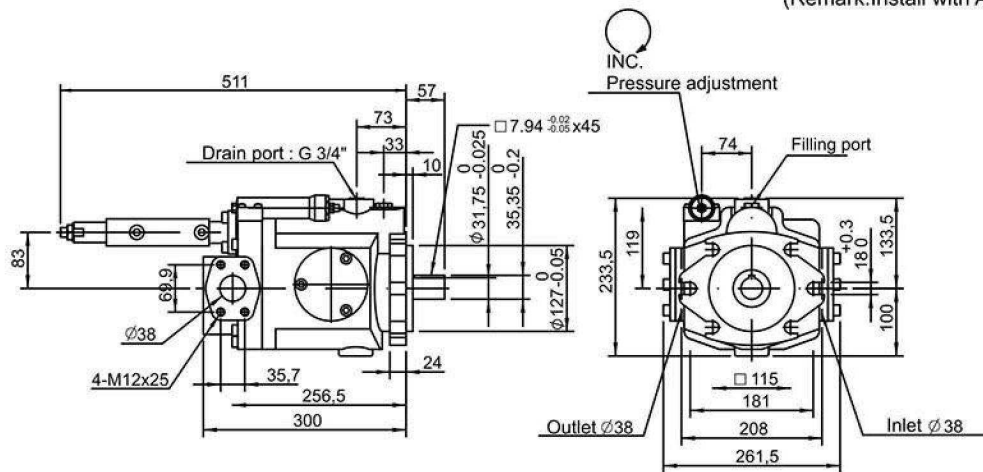
V50HL, V70HL Load-sensing control



Dimension

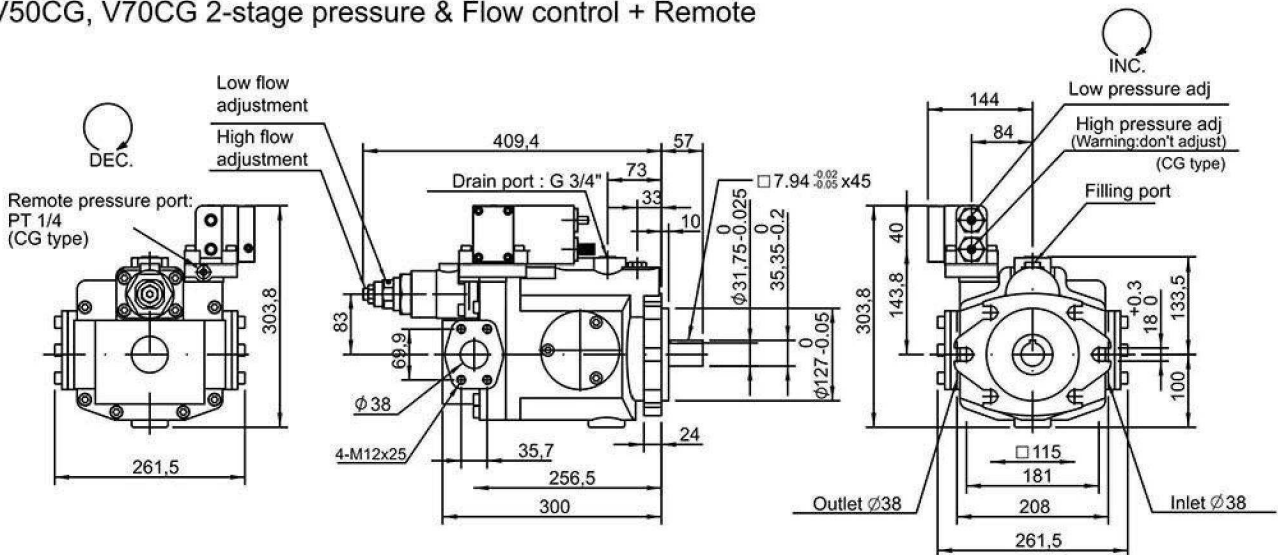
V50B, V70B Multi-stage flow & Single-stage pressure control (with cylinder)

(Remark: Install with A type control)

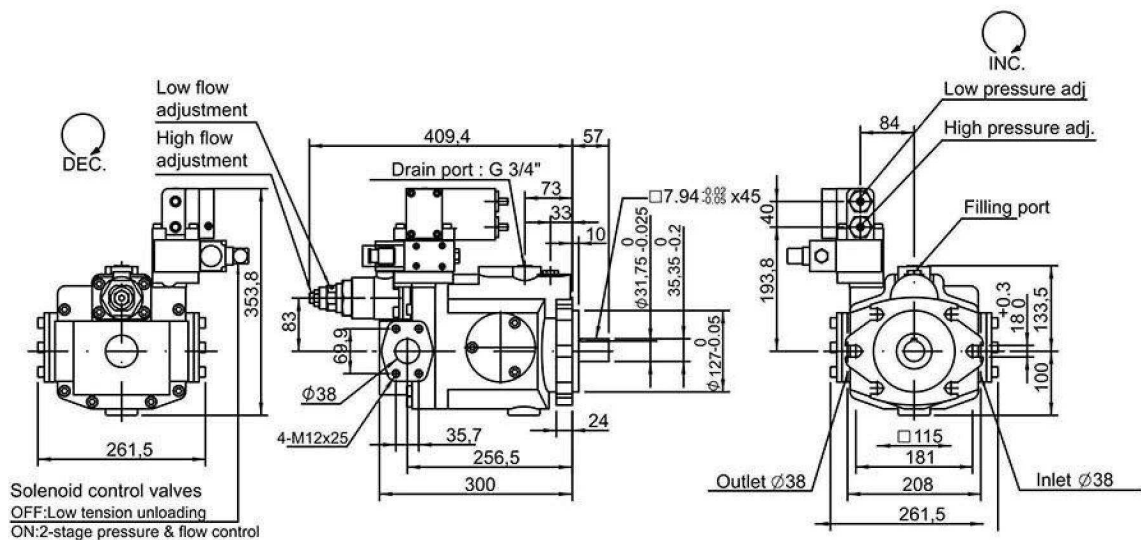


V50C, V70C 2-stage pressure & Flow control

V50CG, V70CG 2-stage pressure & Flow control + Remote



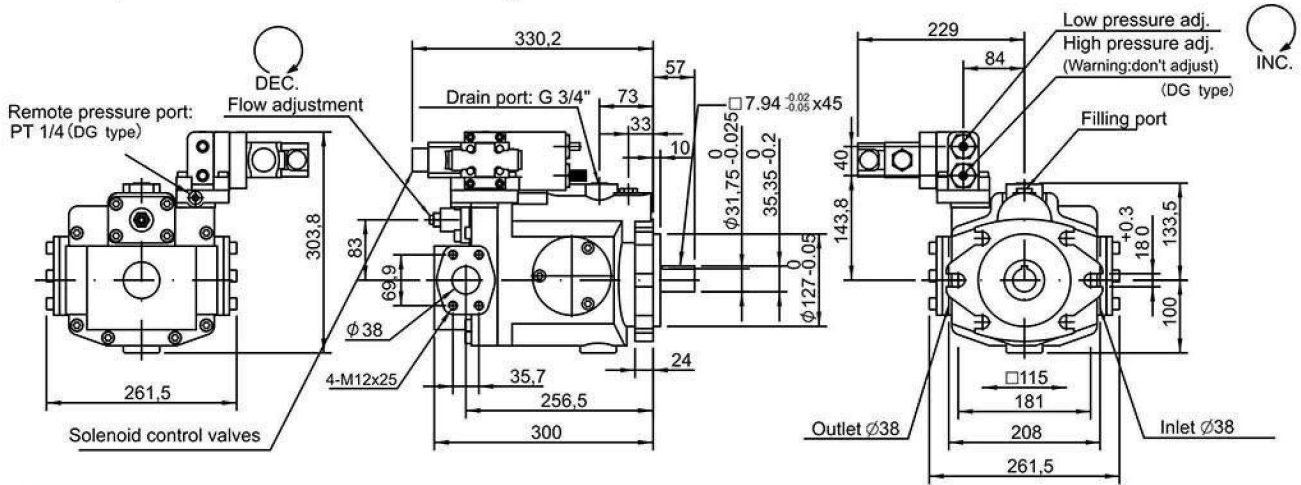
V50CR, V50CR 2-stage pressure & Flow control + Low tension unloading



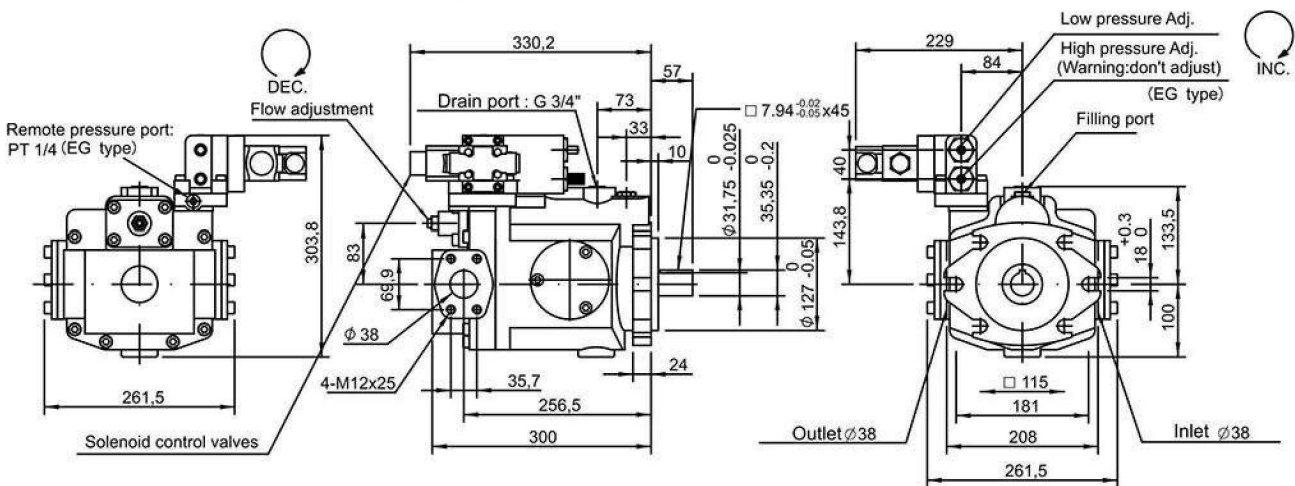
- 規格修改,本公司不另行通知
- Specification is subjected to change without notice.

Dimension

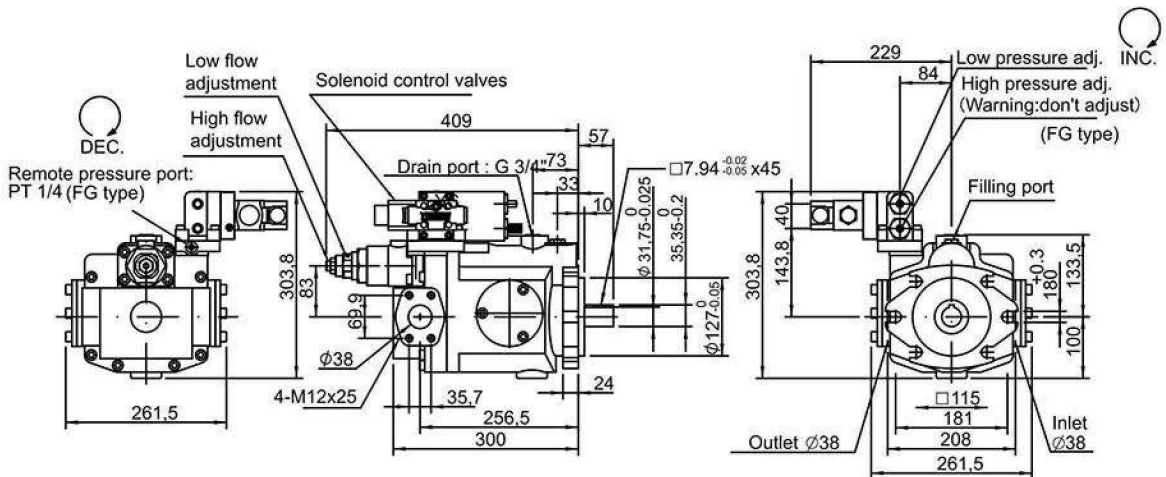
V50D, V70D Low tension unloading + Pressure control
 V50DG, V70DG Low tension unloading + Pressure control + Remote



V50E, V70E Electric 2-stage pressure control
 V50EG, V70 EG Electric 2-stage pressure control + Remote



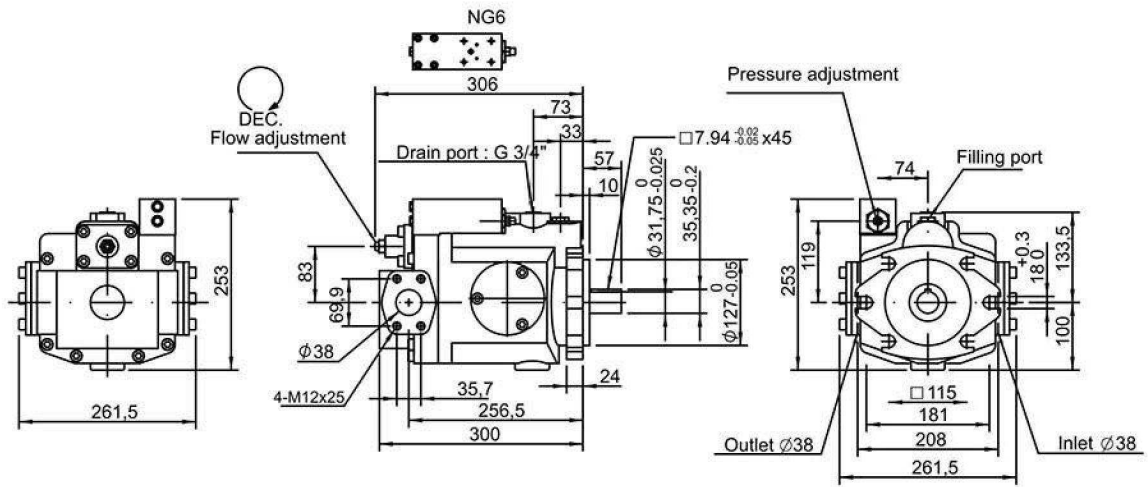
V50F, V70F Electric 2-stage pressure control & Flow control
 V50FG, V70 Electric 2-stage pressure control & Flow control + Remote



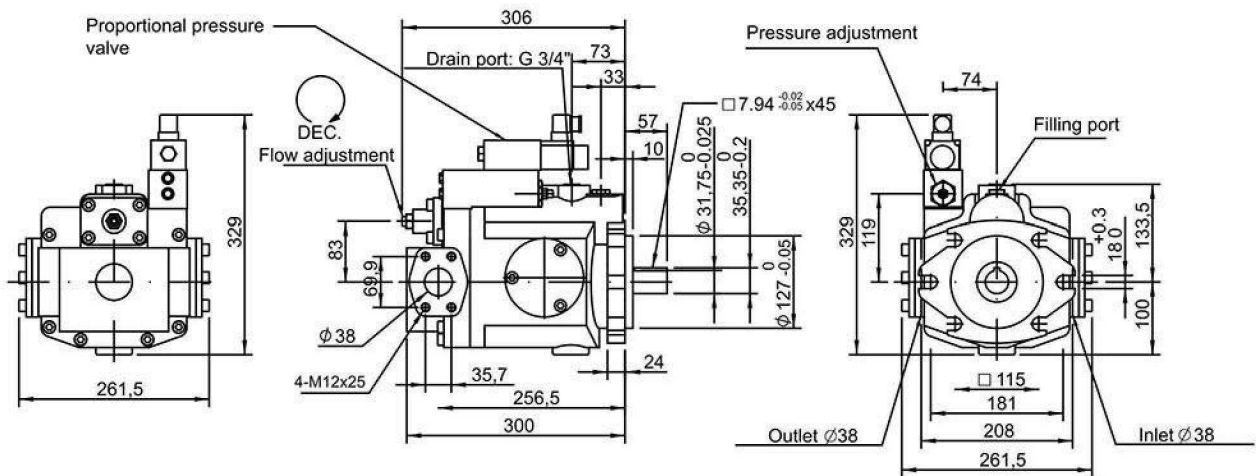
- 規格修改,本公司不另行通知
- Specification is subjected to change without notice.

Dimension

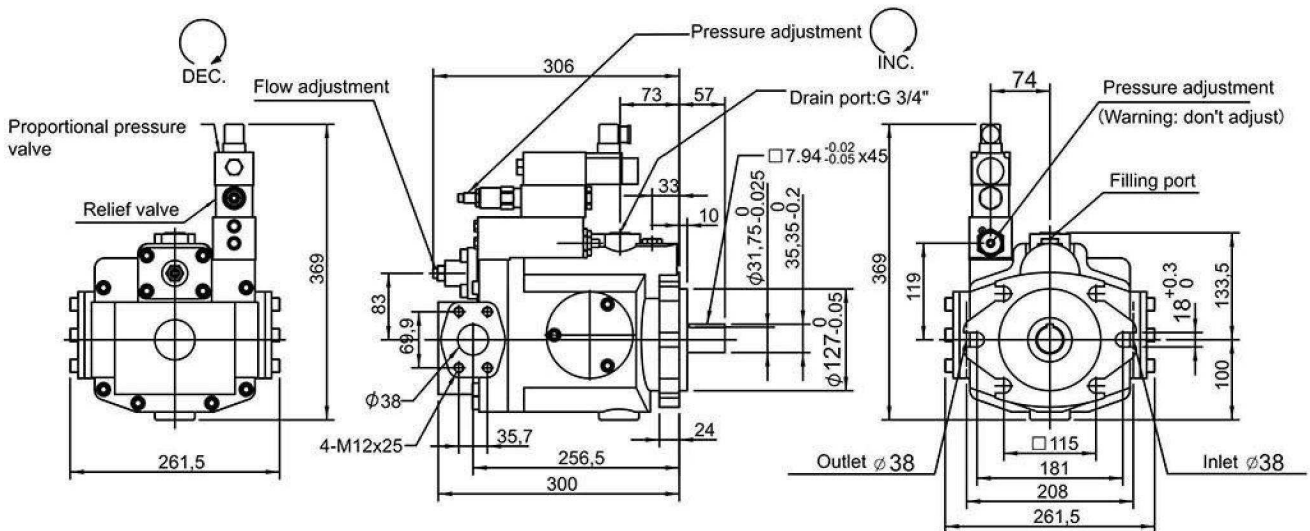
V50GM, V70GM Remote pressure compensator with NG6 interface



V50GJ, V70GJ Remote pressure compensator + Proportional pressure valve



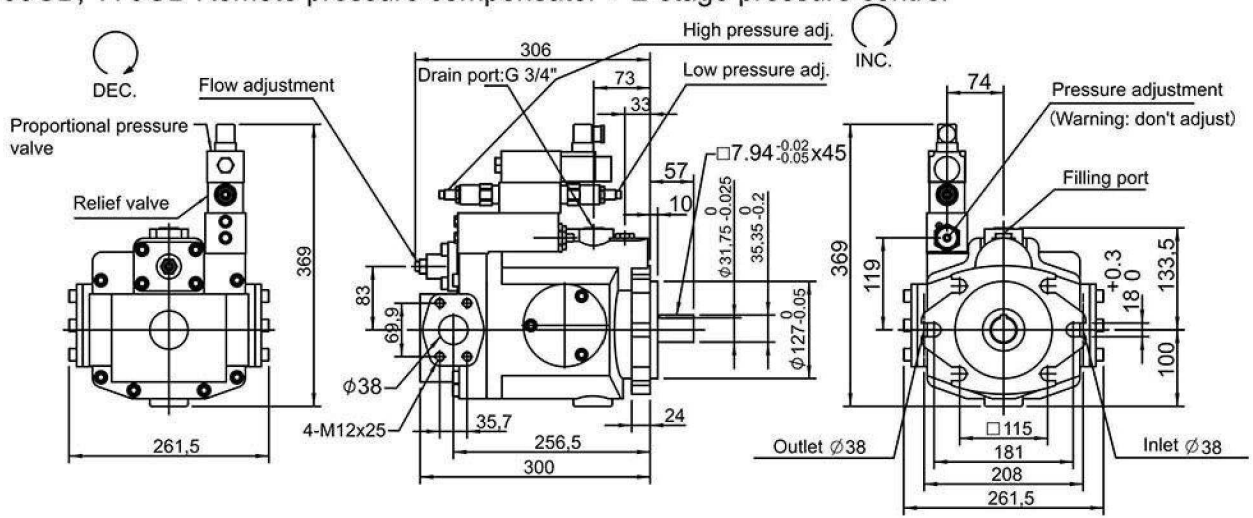
V50GR, V70GR Remote pressure compensator + Electrical unloading



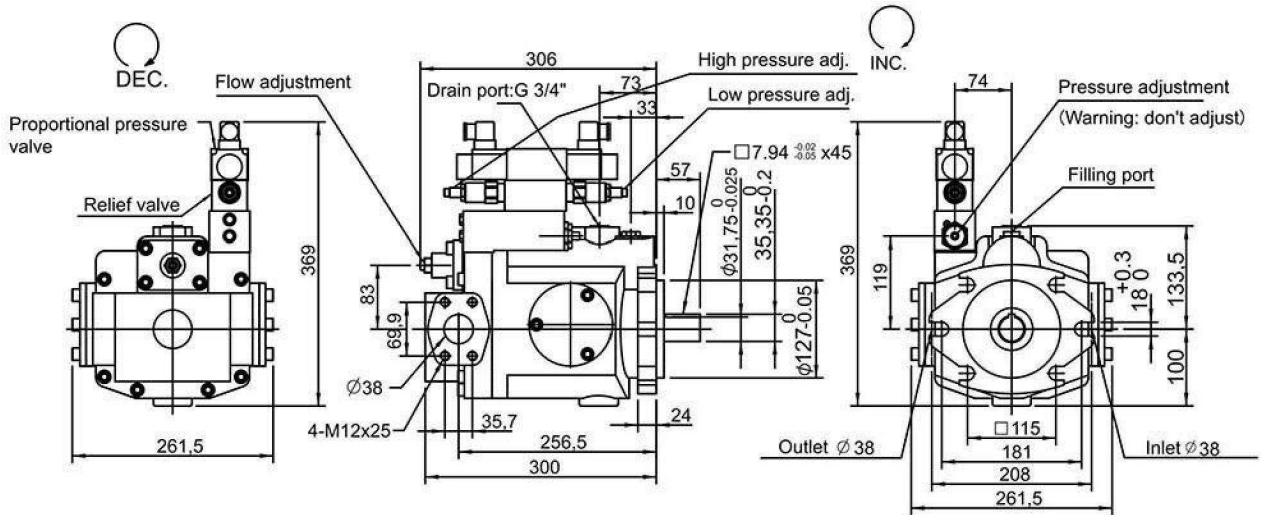
- 規格修改,本公司不另行通知
- Specification is subjected to change without notice.

Dimension

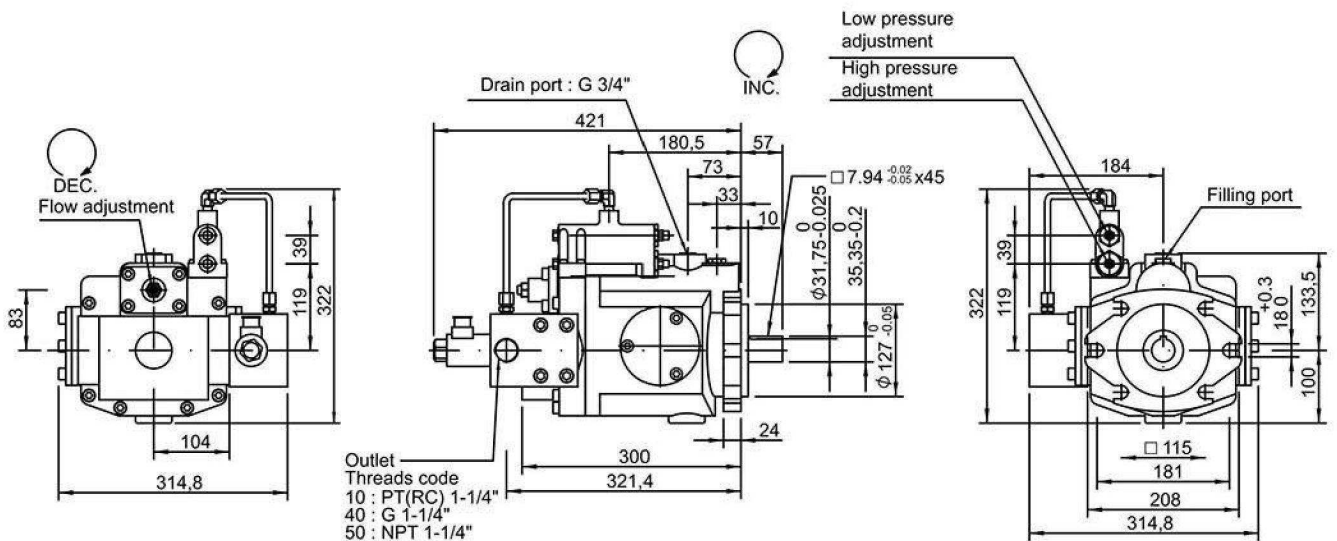
V50GB, V70GB Remote pressure compensator + 2-stage pressure control



V50GC, V70GC Remote pressure compensator + Electrical unloading + 2-stage pressure control



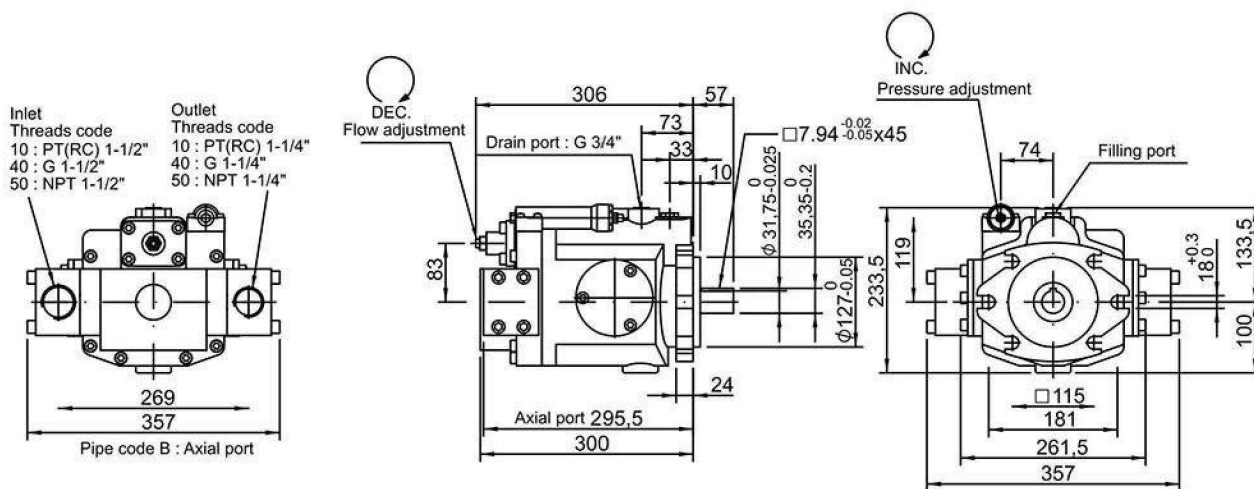
V50HQ, V70HQ Load-sensing compensator + Proportional flow valve + Relief valve



Dimension

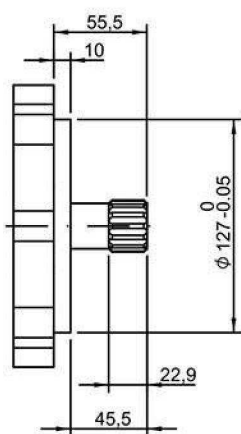
V50, V70 Rear port (Please following order code no.6 add "B")

□ V 50 □ □ □ B □ — □ □ □ □ □ □



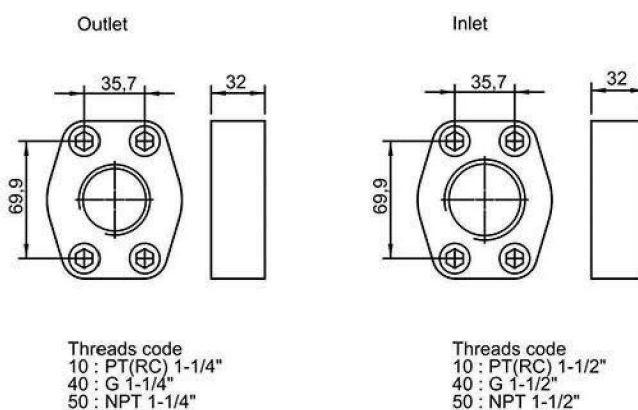
Type	A	B	C	CR	CG	D	DG	E	EG	F	FG	G	GJ	GM	HL	HK	HQ
○ Thru drive option	○	○	○	○	○	○	○	○	○	○	○	○	○	○	○		

V50, V70 Splined shaft type



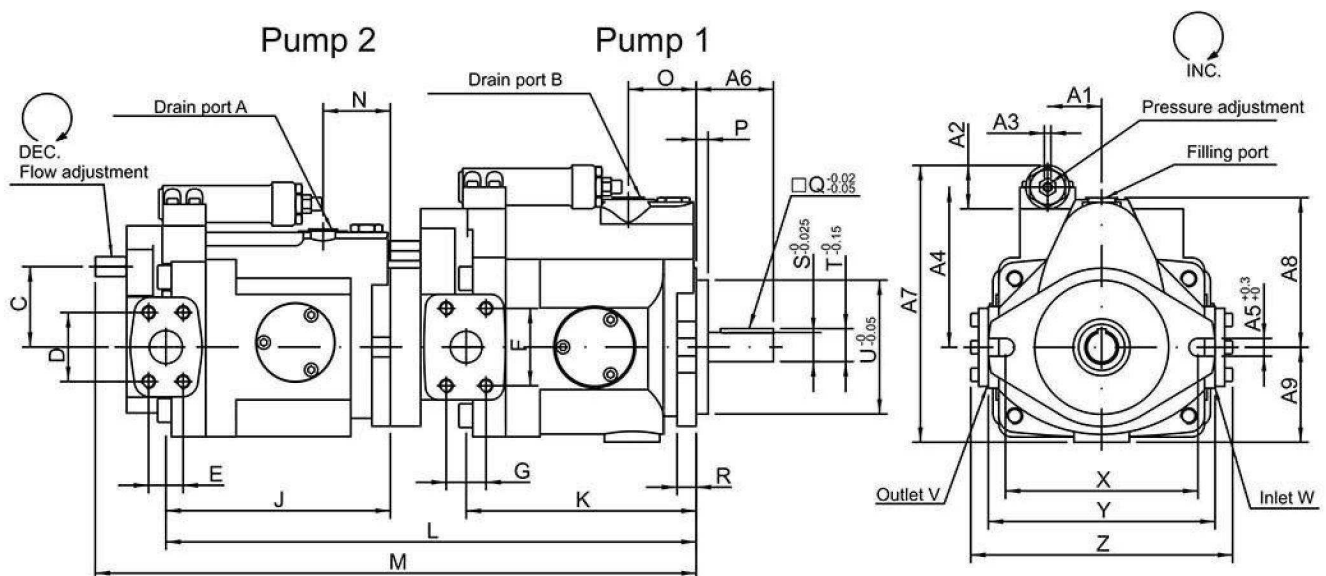
S: 14T DP12/24

V50, V70 Inlet / outlet



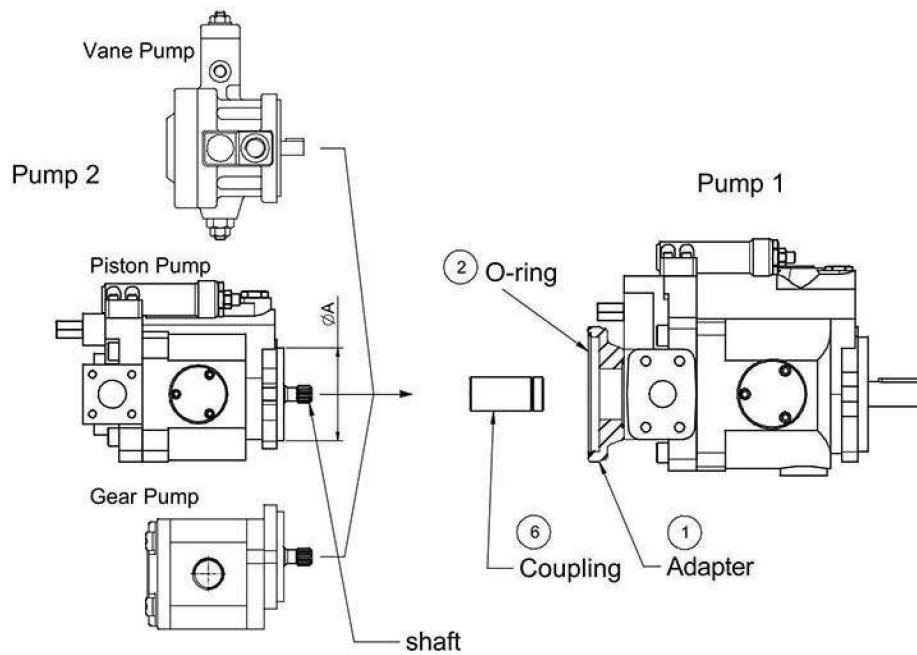
Pump combination

Pump 1	V15 (V18)	V23 (V25)	V23 (V25)	V38 (V42)	V38 (V42)	V38 (V42)	V50 (V70)	V50 (V70)	V50 (V70)
Pump 2	V15 (V18)	V15 (V18)	V23 (V25)	V15 (V18)	V23 (V25)	V38 (V42)	V15 (V18)	V23 (V25)	V38 (V42)
A	G 3/8"	G 3/8"	G 3/8"	G 3/8"	G 3/8"	G 1/2"	G 3/8"	G 3/8"	G 1/2"
B	G 3/8"	G 3/8"	G 3/8"	G 1/2"	G 1/2"	G 1/2"	G 3/4"	G 3/4"	G 3/4"
C	57.45	57.45	61	57.45	61	73	57.45	61	73
D	35.1	35.1	52.4	35.1	52.4	58.7	35.1	52.4	58.7
E	35.1	35.1	26.2	35.1	26.2	30.2	35.1	26.2	30.2
F	35.1	52.4	52.4	58.7	58.7	58.7	69.9	69.9	69.9
G	35.1	26.2	26.2	30.2	30.2	30.2	35.7	35.7	35.7
H	M8x20	M8x20	M10x16	M8x20	M10x16	M10x16	M8x20	M10x16	M10x16
I	M8x20	M10x16	M10x16	M10x16	M10x16	M10x16	M12x25	M12x25	M12x25
J	147	147	170	147	170	179	147	170	179
K	147	170	170	179	179	179	256.5	256.5	256.5
L	332	369	402	378	401	410	464	493	502
M	382	419	455	428	454	465	515	546	555
N	48	48	51	48		51	48	51	51
O	48	51	51	51	51	51	73	73	73
P	6	9	9	9	9	9	10	10	10
Q	4.76x32	6.35x40	6.35x40	6.35x40	6.35x40	6.35x40	7.94x45	7.94x45	7.94x45
R	13	14	14	14.5	14.5	14.5	24	24	24
S	Ø19.05	Ø22.22	Ø22.22	Ø22.22	Ø22.22	Ø22.22	Ø31.75	Ø31.75	Ø31.75
T	21.15	25.08	25.08	25.08	25.08	25.08	35.35	35.35	35.35
U	Ø82.55	Ø101.6	Ø101.6	Ø101.6	Ø101.6	Ø101.6	Ø127	Ø127	Ø127
V	Ø25	Ø25	Ø25	Ø31	Ø31	Ø31	Ø38	Ø38	Ø38
W	Ø25	Ø25	Ø25	Ø31	Ø31	Ø31	Ø38	Ø38	Ø38
X	106	146	146	146	146	146	181	181	181
Y	131	146	146	160	160	160	208	208	208
Z	165	182	182	198.6	198.6	198.6	261.5	261.5	261.5
A1	44	39	39	39	39	39	74	74	74
A2	31.2	31.2	31.2	31.2	31.2	31.2	40	40	40
A3	5	5	5	5	5	5	8	8	8
A4	84	110	110	121	121	121	119	119	119
A5	11	13.5	13.5	13.5	13.5	13.5	18	18	18
A6	44.5	58.5	58.5	58.5	58.5	58.5	57	57	57
A7	160	193	193	210	210	210	233.5	233.5	233.5
A8	91.5	93	93	113.5	113.5	113.5	133.5	133.5	133.5
A9	60	68	68	72	72	72	100	100	100



●規格修改,本公司不另行通知
 ●Specification is subjected to change without notice.

Pump combination - coupling

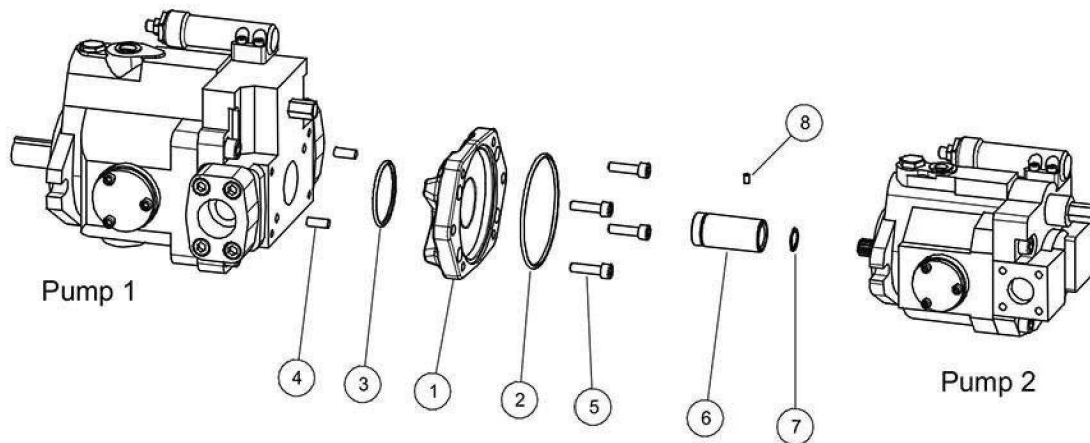


No	Pump 1	Pump 2			⑥Coupling
	Model	Model	ØA	Shaft	
15-1	V15,V18	Piston pump: V15~18, AR16~22 Gear pump: HGP-3A	SAE Ø 82.55	9T 16/32 DP	COUP-V15+15
23-1	V23, V25	Piston pump: V15~18, AR16~22 Gear pump: HGP-3A	SAE A Ø82.559T	9T 16/32 DP	COUP-V23-1
23-3A				Vane pump: Ø95.02	13T 16/32 DP
23-5		Vane: F30,F40,PV2R1		Cylindric Ø19.05*4.76	COUP-V23-5
23-6		Piston pump: V23~25 Vane pump: T6C	SAE B Ø101.6 Metric Ø100	Cylindric Ø22.22*6.35	COUP-V23-6
				Cylindric Ø22.22*4.76	
23-3B			13T 16/32 DP	COUP-V23-3	
38-1	V38, V42	Vane pump: T6C Gear pump: HGP-3A Piston pump: F30,F40,PV2R1	SAE A Ø82.55 Vane pump Ø95.02	9T 16/32 DP	COUP-V38-1
38-3A				13T 16/32 DP	COUP-V38-3
38-5				Cylindric Ø19.05*4.76	COUP-V38-5
38-6		Piston pump: V23~25, V38~V42 Vane pump: T6C	SAE B Ø101.6 Metric Ø100	Cylindric Ø22.22*6.35	COUP-V38-6
				Cylindric Ø22.22*4.76	
38-7		Piston pump: PV016~023		Cylindric Ø25.4*6.35	COUP-V38-7
38-3B		Vane pump: PV2R2		13T 16/32 DP	COUP-V38-3
38-4				15T 16/32 DP	COUP-V38-4
70-1	V50, V70	Piston pump: V15~18, AR16~22 Gear pump: HGP-3A Vane pump: F30,F40,PV2R1	SAE A Ø82.55 Vane pump Ø95.02	9T 16/32 DP	COUP-V70-1
70-3A				13T 16/32 DP	COUP-V70-3
70-5				Cylindric Ø19.05*4.76	COUP-V70-5
70-6		Piston pump: V23~25, V38~V42 Vane pump: T6C	SAE B Ø101.6 Metric Ø100	Cylindric Ø22.22*6.35	COUP-V70-6
				Cylindric Ø22.22*4.76	
70-7		Piston pump: PV016~023		Cylindric Ø25.4*6.35	COUP-V70-7
70-3B		Vane pump: PV2R2		13T 16/32 DP	COUP-V70-3
70-4				15T 16/32 DP	COUP-V70-4

Ø A	① Adapter	② O-ring
SAE A Ø82.55	23A-83-D	G80
Vane pump Ø95.02	23A-83-G	G95
SAE B Ø101.6	23A-83-E	G100
Metric Ø100	23A-83-J	G100

- 規格修改,本公司不另行通知
- Specification is subjected to change without notice.

Pump combination - coupling parts

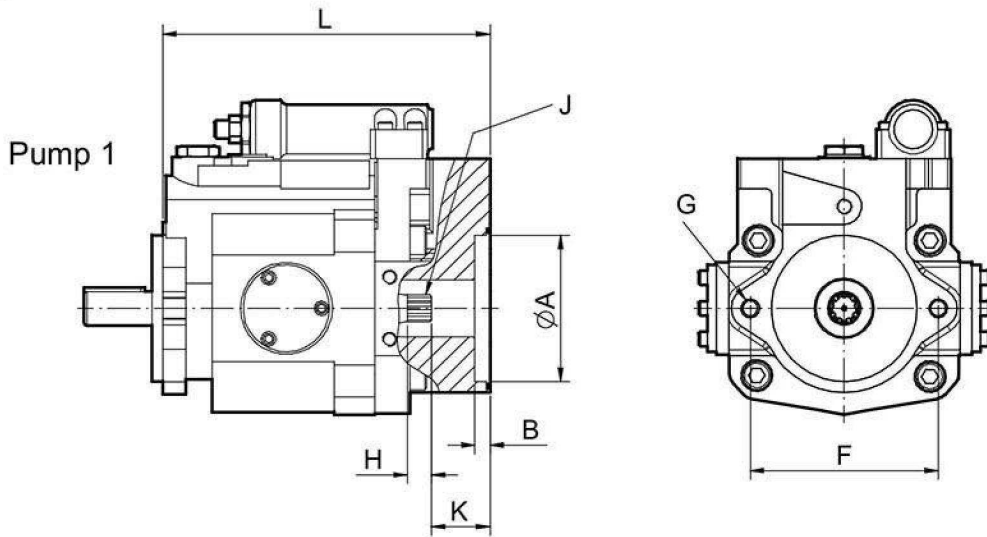


⑥Coupling	⑦ Snap ring	Depending 2nd pump to use snap ring or not (● : With snap ring)			⑧Screw
		Piston pump: V15~18, AR16	Gear pump: HGP- 3A	Vane pump: F30, F40	
COUP-V15+15	R13	●	●	●	--
COUP-V23-1	R13	●	●		--
COUP-V23-3	R20	●			--
COUP-V23-5	R20			●	M5 x8
COUP-V23-6	--				M5 x8
COUP-V38-1	R13	●	●		--
COUP-V38-3	R20	●			--
COUP-V38-4	--				--
COUP-V38-5	R20			●	M5 x8
COUP-V38-6	--				M5 x8
COUP-V38-7	--				M5 x8
COUP-V70-1	R13	●	●		--
COUP-V70-3	R20	●			--
COUP-V70-4	--				--
COUP-V70-5	R20			●	M5 x8
COUP-V70-6	--				M5 x8
COUP-V70-7	--				M5 x8

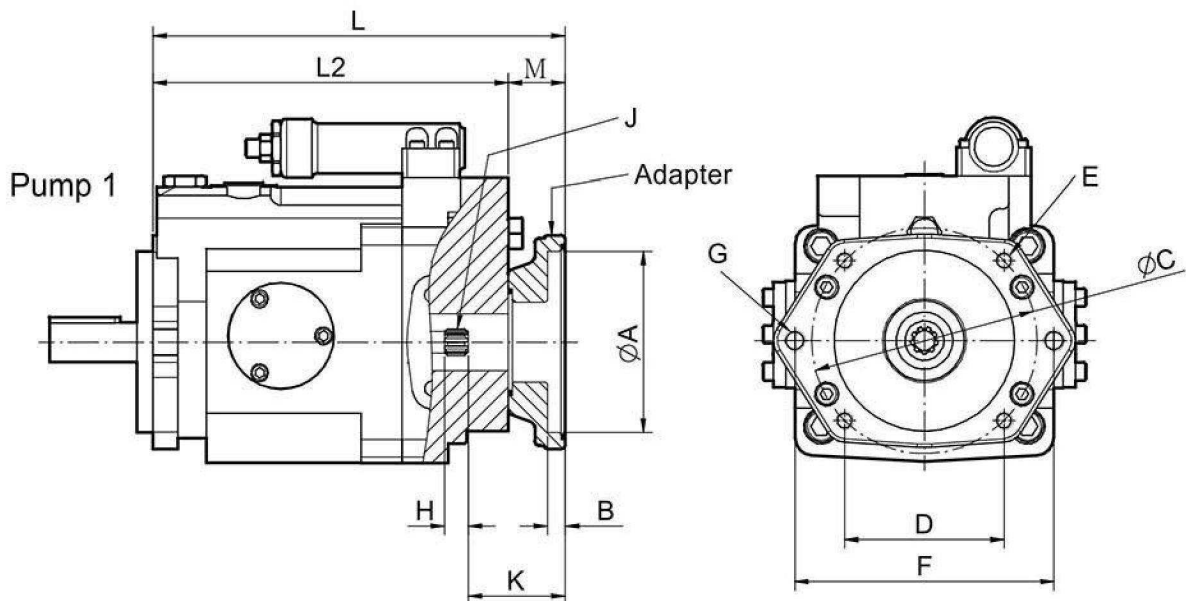
③ O-ring	G55
④ Pin	ø8x16 x2 nos
⑤ Screw	M8x30 x4 nos

Pump combination - thru drive dimension

V15,V18



V23~V70



Model	2nd Pump	ØA	B	ØC	D	E	F	G
V15,V18	SAE A	Ø82.55	8.35	--	--	--	106.3	M10xP1.5
	SAE A	Ø82.55	8.35	Ø127	89.8	M10xP1.5	106.3	M10xP1.5
V23~V70	SAE A	Ø101.6	10	Ø127	89.8	M10xP1.5	146	M12xP1.75
	Metric	Ø100	10	Ø125	88.39	M10xP1.5	140	M12xP1.75
	Vane Pump	Ø95.02	8.35	--	90	M10xP1.5	--	--

Model	K	H	J	M	L	L2		
V15,V18	33	13.5	9T 16/32 DP	--	185	--		
V23,V25	59	13.5	9T 16/32 DP	32	237	205		
V38,V42	66	20	14T M1.25	32	241	209		
V50,V70	64.4	22	13T 16/32DP	32	332	300		

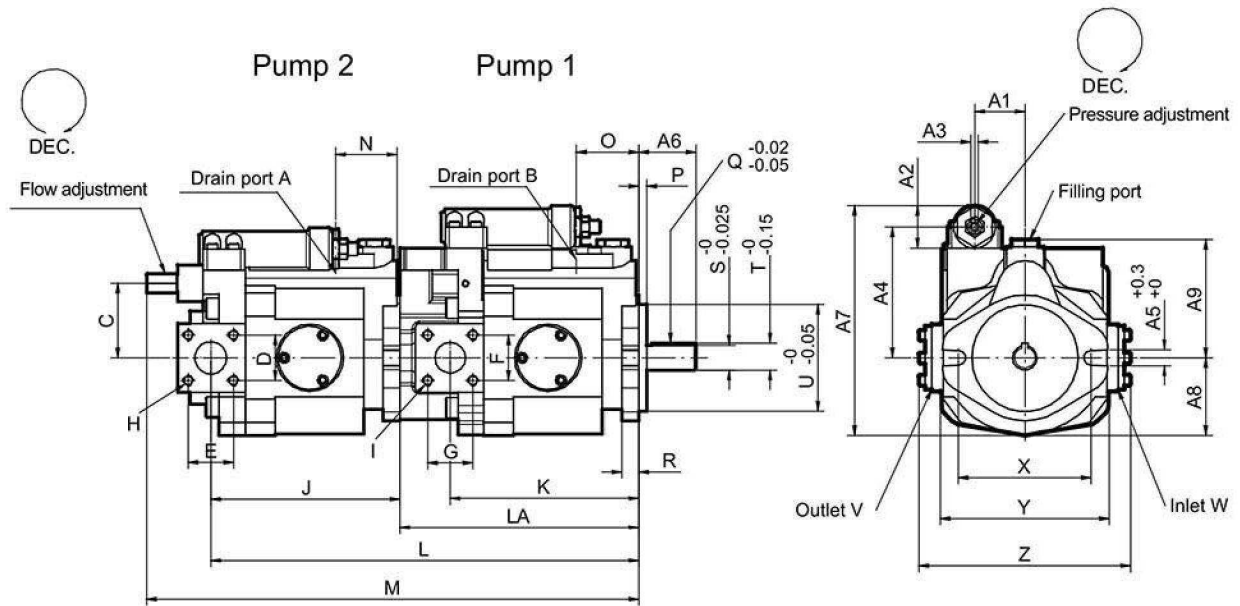
KOMPASS product specifications are subject to change with prior notice.

- 規格修改,本公司不另行通知
- Specification is subjected to change without notice.

Pump combination - thru drive dimension

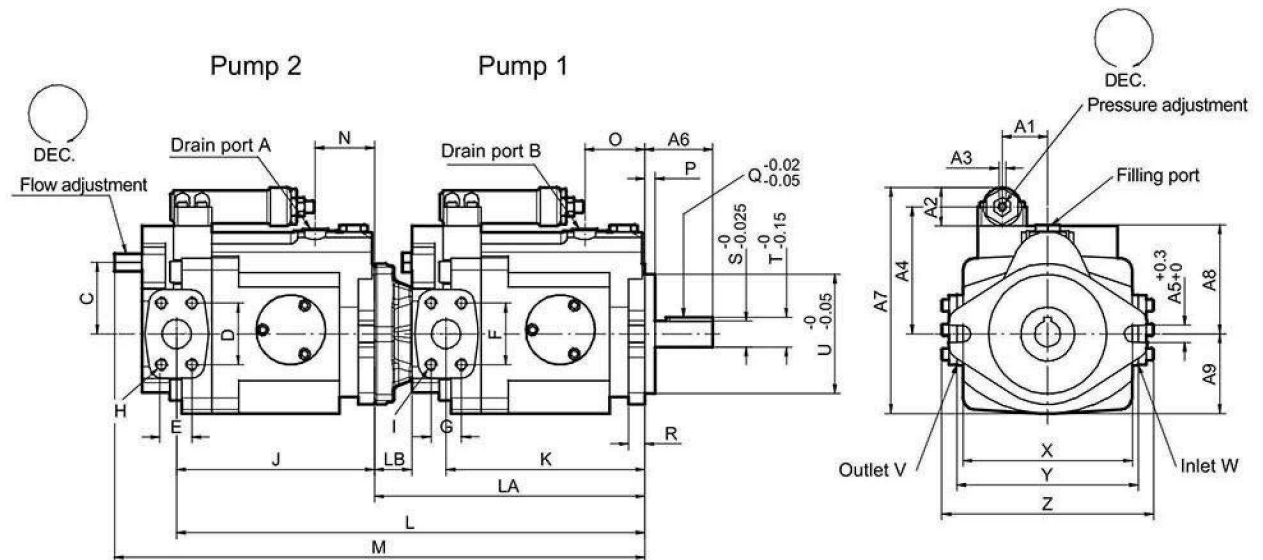
View A

Pump 1 V15, Pump 2 V15



View B

Pump 1 V23~V70, Pump 2 V15~V38



Pump combination - thru drive dimension

Pump 1	Pump 2	A	B	C	D	E	F	G	H	I
V15,V18	V15,V18	G 3/8" (RC 3/8")	G 3/8" (RC 3/8")	57.45	35.1	35.1	35.1	35.1	M8xP1.25x20	M8xP1.25x20
V23,V25	V15,V18	G 3/8" (RC 3/8")	G 3/8" (RC 3/8")	57.45	35.1	35.1	52.4	26.2	M8xP1.25x20	M10xP1.5x16
V23,V25	V23,V25	G 3/8" (RC 3/8")	G 3/8" (RC 3/8")	61	52.4	26.2	52.4	26.2	M10xP1.5x16	M10xP1.5x16
V38,V42	V15,V18	G 3/8" (RC 3/8")	G 1/2" (RC 1/2")	57.45	35.1	35.1	58.7	30.2	M8xP1.25x20	M10xP1.5x16
V38,V42	V23,V25	G 3/8" (RC 3/8")	G 1/2" (RC 1/2")	61	52.4	26.2	58.7	30.2	M10xP1.5x16	M10xP1.5x16
V38,V42	V38,V42	G 1/2" (RC 1/2")	G 1/2" (RC 1/2")	73	58.7	30.2	58.7	30.2	M10xP1.5x16	M10xP1.5x16
V50,V70	V15,V18	G 3/8" (RC 3/8")	G 3/4" (RC 3/4")	57.45	35.1	35.1	69.9	35.7	M8xP1.25x20	M12xP1.75x25
V50,V70	V23,V25	G 3/8" (RC 3/8")	G 3/4" (RC 3/4")	61	52.4	26.2	69.9	35.7	M10xP1.5x16	M12xP1.75x25
V50,V70	V38,V42	G 1/2" (RC 1/2")	G 3/4" (RC 3/4")	73	58.7	30.2	69.9	35.7	M10xP1.5x16	M12xP1.75x25

Pump 1	Pump 2	J	K	L	LA	LB	M	N	O	P	Q	R	S	T	U
V15,V18	V15,V18	147	147	332	185	--	382	48	48	6	4.76x32	13	∅19.05	21.15	∅82.55
V23,V25	V15,V18	147	170	384	237	32	411	48	51	9	6.35x40	14	∅22.22	25.08	∅101.6
V23,V25	V23,V25	170	170	407	237	32	455	51	51	9	6.35x40	14	∅22.22	25.08	∅101.6
V38,V42	V15,V18	147	179	388	241	32	438	48	51	9	6.35x40	14.5	∅22.22	25.08	∅101.6
V38,V42	V23,V25	170	179	411	241	32	464	51	51	9	6.35x40	14.5	∅22.22	25.08	∅101.6
V38,V42	V38,V42	179	179	420	241	32	473	51	51	9	6.35x40	14.5	∅22.22	25.08	∅101.6
V50,V70	V15,V18	147	256.5	479	332	32	529	48	73	10	7.94x45	24	∅31.75	35.35	∅127
V50,V70	V23,V25	170	256.5	502	332	32	555	51	73	10	7.94x45	24	∅31.75	35.35	∅127
V50,V70	V38,V42	179	256.5	511	332	32	564	51	73	10	7.94x45	24	∅31.75	35.35	∅127

Pump 1	Pump 2	V	W	X	Y	Z	A1	A2	A3	A4	A5	A6	A7	A8	A9
V15,V18	V15,V18	∅25	∅25	106	131	165	44	31.2	5	84	11	44.5	160	91.5	60
V23,V25	V15,V18	∅25	∅25	146	146	182	39	31.2	5	110	13.5	58.5	193	93	68
V23,V25	V23,V25	∅25	∅25	146	146	182	39	31.2	5	110	13.5	58.5	193	93	68
V38,V42	V15,V18	∅31	∅31	146	160	198.6	39	31.2	5	121	13.5	58.5	210	113.5	72
V38,V42	V23,V25	∅31	∅31	146	160	198.6	39	31.2	5	121	13.5	58.5	210	113.5	72
V38,V42	V38,V42	∅31	∅31	146	160	198.6	39	31.2	5	121	13.5	58.5	210	113.5	72
V50,V70	V15,V18	∅38	∅38	181	208	261.5	74	40	8	119	18	57	233.5	133.5	100
V50,V70	V23,V25	∅38	∅38	181	208	261.5	74	40	8	119	18	57	233.5	133.5	100
V50,V70	V38,V42	∅38	∅38	181	208	261.5	74	40	8	119	18	57	233.5	133.5	100